

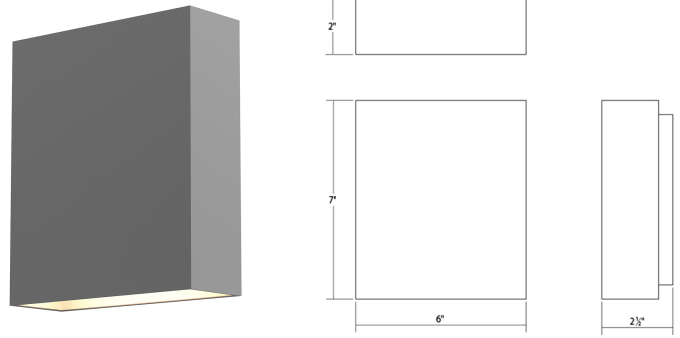
Project:

## Flat Box LED Sconce Spec Sheet

SKU: 7105.74-WL    Learn more at:  
<https://sonnemanlight.com/flat-box-led-sconce>

Description: **The subtle architectural geometry of a long flat plane, offset from the surface, reflects LED illumination from the flat box mounted upon it.** Available in bidirectional and downlight only configurations. Also available as an [Up/Down Panel Sconce](#), [Up/Down Sconce](#), and [Panel Sconce](#).

Type #:



### Dimensions

Height:	7"
Width:	6"
Extends:	2.5"
Minimum Extension:	2.5"
Maximum Extension:	2.5"
Canopy/Backplate/Base Width:	5.5
Canopy/Backplate/Base Depth:	0.5
Canopy/Backplate/Base Height:	6.5

### Electrical Specs

Bulb(s) Included?:	Yes
Bulb 1 Type:	Integral LED
Bulb Quantity:	1
Input Voltage:	120VAC
Wattage:	11
Initial Lumens:	990
Delivered Lumens:	450
Color Temperature:	3000K
CRI:	90
Power Supply Type:	Driver
Power Supply Quantity:	1
Power Supply Location:	Outlet Box
Dimming Type:	TRIAC/ELV
Bulb Max Wattage:	11

### Installation

Installation:	Licensed electrician required
Installation Orientation:	Vertical

### Shipping

Carton 1 L x W x H:	10" X 9" X 7"
Carton 1 Gross Weight:	4 LBS

### Shade

Shade 1 Material:	Aluminum
-------------------	----------

### Available Finishes

Available Finishes: Textured Bronze (.72), Textured Gray (.74), Textured White (.98)

### General Listings

Features:	Wet Rated
Certification:	C-ETL-US
Color/Finish:	Textured Gray (.74)
Dark Sky Friendly:	Y