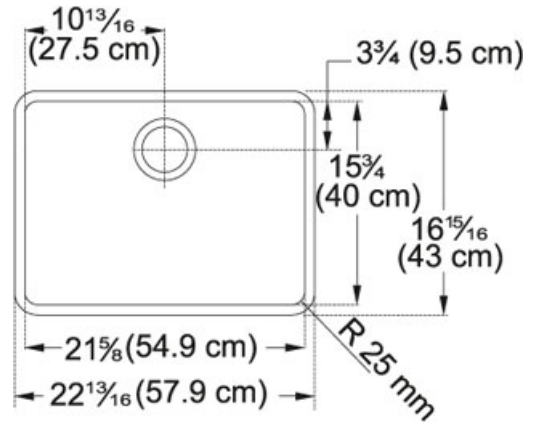


# Kubus KBX11021 Stainless Steel | 122.0035.124

FAMILY : Sinks | SERIE : Kubus | MODEL : KBX11021 | FINISH : Stainless Steel | INSTALLATION TYPE : Undermount | STYLE : Transitional



## TECHNICAL DATA

Minimum Cabinet Size	27"
Drain Opening	3 1/2"
Length overall	23 13/16"
Width overall	16 7/8"
Length of large bowl	21 5/8"
Width of large bowl	15 3/4"
Depth of large bowl	9 1/16"
Number of Bowls	1
Cutout Length	21 5/8"
Cutout Width	15 3/4"
Type of Material	18 Gauge Stainless Steel
Cut-Out Template	Yes
Installation Clips	Yes
Franke Integral Ledge	BUILT-IN
Where to buy	Showroom
Where to buy	Showroom

# Kubus KBX11021 Stainless Steel | 122.0035.124

FAMILY : Sinks | SERIE : Kubus | MODEL : KBX11021 | FINISH : Stainless Steel | INSTALLATION TYPE : Undermount | STYLE : Transitional

---

## RECOMMENDED

---



---

115.0298.341

---



---

120.0355.523

---



---

119.0068.281

---



---

134.0297.202

---



---

133.0171.120

---



---

119.0066.616

---