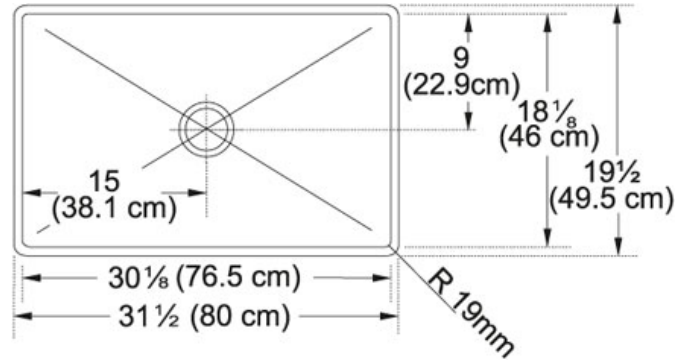


Professional Series PSX1103012 Stainless Steel |

122.0170.026

FAMILY : Sinks | SERIE : Professional Series | MODEL : PSX1103012 | FINISH : Stainless Steel | INSTALLATION TYPE : Undermount



TECHNICAL DATA

Minimum Cabinet Size	914.4 mm
Drain Opening	3 1/2"
Length overall	800.1 mm
Width overall	495.3 mm
Length of large bowl	765.2-MM
Width of large bowl	460.4-MM
Depth of large bowl	228.6 mm
Number of Bowls	1
Type of Material	16 Gauge Stainless Steel
Cut-Out Template	Yes
Installation Clips	Yes

Professional Series PSX1103012 Stainless Steel |
122.0170.026

FAMILY : Sinks | SERIE : Professional Series | MODEL : PSX1103012 | FINISH : Stainless Steel | INSTALLATION TYPE :
Undermount

RELATED PARTS



119.0068.283



119.0066.616



112.0066.071



133.0171.120



115.0190.774



134.0297.202



120.0296.741
