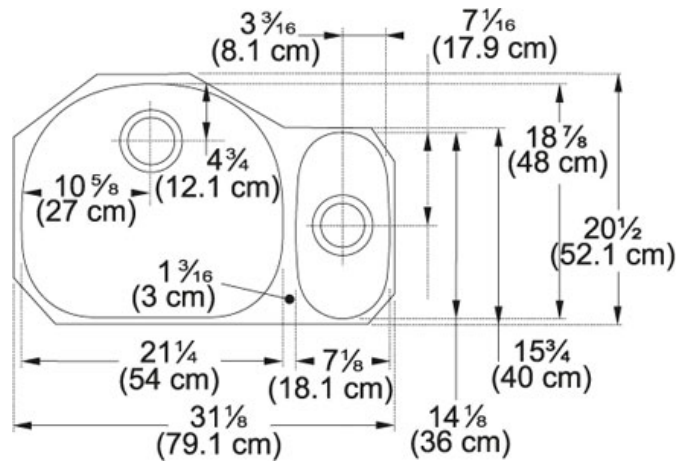


Prestige PRX160 Stainless Steel | 122.0035.100

FAMILY : Sinks | SERIE : Prestige | MODEL : PRX160 | FINISH : Stainless Steel | INSTALLATION TYPE : Undermount



TECHNICAL DATA

Franke Integral Ledge	BUILT-IN
Minimum Cabinet Size	914.4 mm
Drain Opening	3 1/2"
Length overall	790.6 mm
Width overall	520.7 mm
Depth Overall	9 1/16"
Length of large bowl	539.8 mm
Width of large bowl	479.4 mm
Depth of large bowl	230.2 mm
Length of small bowl	7 1/8"
Width of small bowl	14 1/8"
Depth of small bowl	5 1/2"
Number of Bowls	2
Cutout Length	760 mm
Cutout Width	490 mm
Type of Material	18 Gauge Stainless Steel
Cut-Out Template	Yes
Installation Clips	Yes

Prestige PRX160 Stainless Steel | 122.0035.100

FAMILY : Sinks | SERIE : Prestige | MODEL : PRX160 | FINISH : Stainless Steel | INSTALLATION TYPE : Undermount

OPPOSITE

122.0035.101

RELATED PARTS



119.0069.104



115.0067.296



119.0066.616



112.0006.146



112.0007.729



112.0039.150



112.0066.071



112.0073.921



112.0073.934



133.0178.205



120.0175.295