

16" RECTANGULAR WALL HUNG BASIN

Cat. No
4-9045



W: 16"
D: 10-5/8"
H: 5-5/8"

Interior Dimensions:

Basin Interior:	11-1/8" x 9-1/8"
Basin Depth:	3-3/8"
Back of basin to center of faucet:	2-1/8"
Back of basin to center of drain:	9-5/8"
Mount holes cc:	7-1/2"
Faucet hole diameter:	1-3/8"

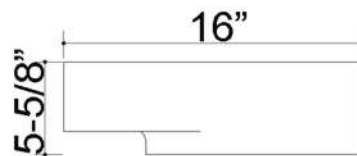
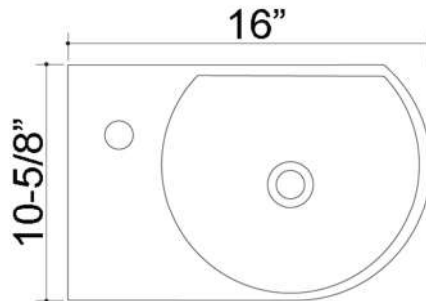
Features:

- ▶ Wall hung basin
- ▶ Made of Vitreous China
- ▶ Pre-drilled with 1-3/8" single faucet hole on the left
- ▶ Pre-drilled overflow
- ▶ Mounting hardware included
- ▶ Drain not provided
- ▶ Chrome overflow cover included
- ▶ Also available with deck on right (4-9044)

Colors

WH White

Meets or exceeds the following specifications: ASME A112.19.2 2013 and CSA B45.1-13 for ceramic plumbing fixtures.



Dimensions of fixture are nominal and may vary within the range of tolerances established by ASME Standard A112.19.2.2013. Dimensions and specifications subject to change without notice.