

# SPL-3860 shower pan

**Model number:**

141423

**Dimensions:** 60" x 38" x 5"

**Installation:**

**Material:** AcryIX™



## Standard Features:

- Rectangular shower base with AcryIX™ finish
- 4 inch low threshold base
- Integrated tiling flange
- Center drain
- Textured floor finish
- Superior base strength with ArmorCore™ reinforcement
- 58 x 36 inch Clear inside dimensions

## Product characteristics:

- Fair Housing Act (FHA)
- Low Threshold
- Textured Bottom Surface

## Warranty:

Lifetime limited

## Code Compliant:

ANSI|FHA

## Standard colors:



## Certifications

ABG products adhere to one or more of the following certifications:



# SPL-3860 shower pan

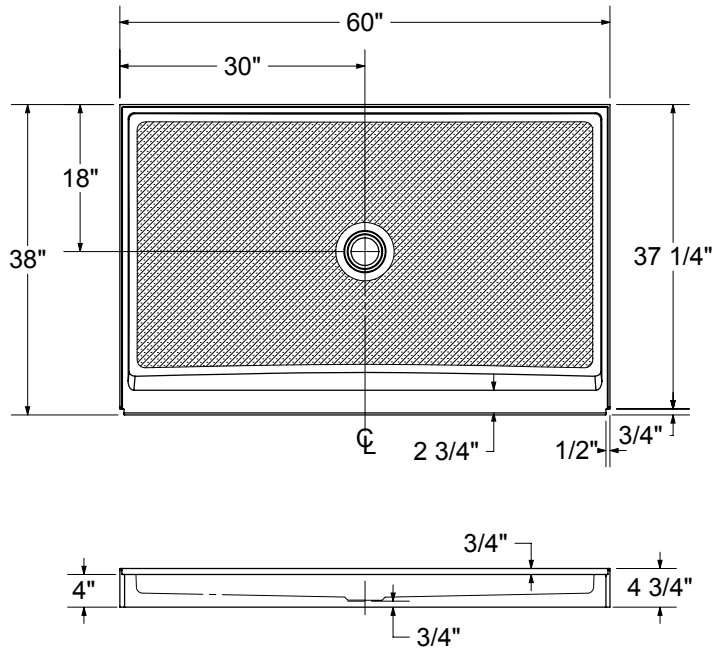
**Model number:**

141423

**Dimensions:** 60" x 38" x 5"

**Installation:**

**Material:** AcryIX™



**Dimensions:**

60 x 38 x 4 3/4 in.  
(1524 x 965.2 x 120.7 mm)

**Weight:**

40 lbs (18 kg)

**Shape:**

Rectangular

**Drain location:**

Center

**Installation:**

Alcove

All dimensions are approximate. Structure measurements must be verified against the unit to ensure proper fit.

Project:

Contractor:

Representative:

Date:

Tel:

Notes: