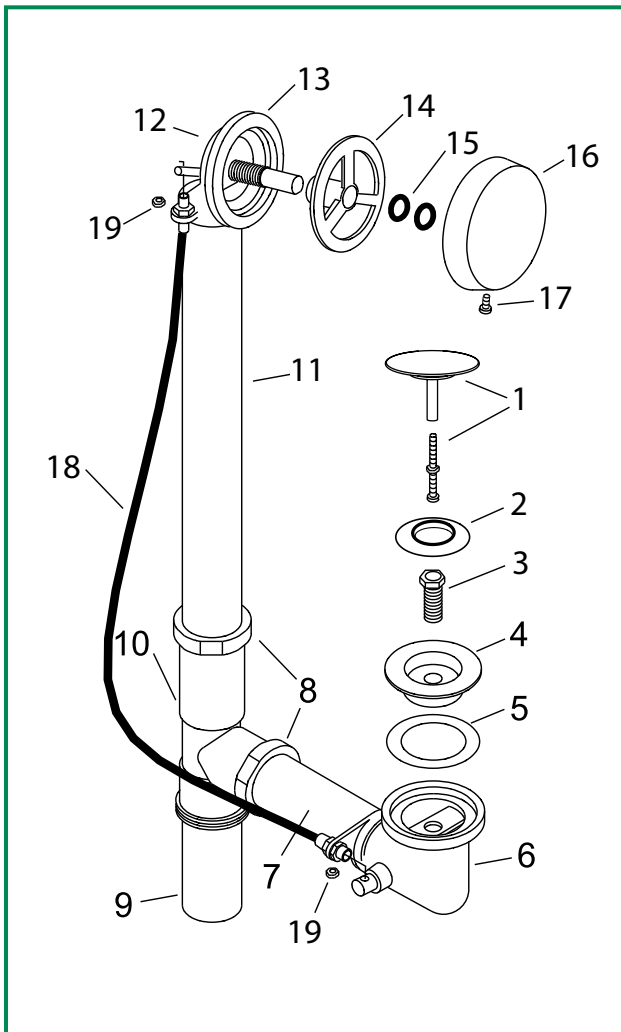
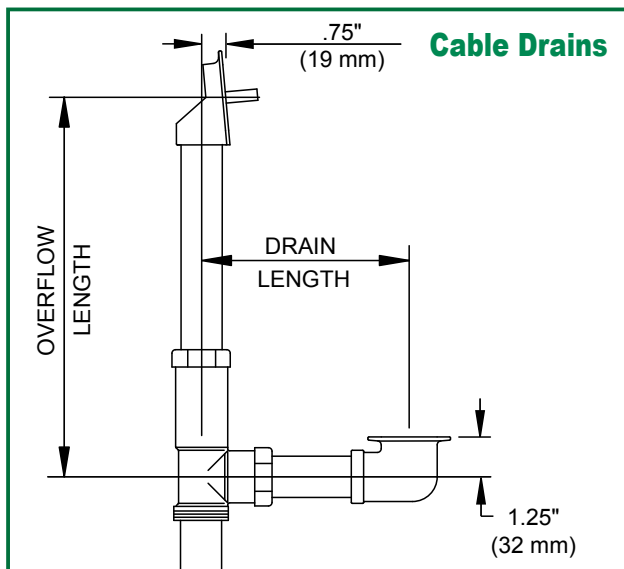


Models 528-CA/538-CA Series Parts List & Instructions



Item	Part #	Description
1.	20065CP...	Cable Full-Cover Stopper assembled with (20110) adjusting screw and (20120) adjusting nut
2.	11507	PUSH PULL® Seal, 1 ¹ / ₁₆ " dia.
3.	20040	Cable Drain EII Locking Pin
4.	20080CP...	Cable Strainer Body
5.	20130	Cable Drain EII Washer
6.	20085	Cable Drain Elbow Assembly
7.	41028	#528: DE Pipe, 20g Brass, 1.5" x 4.75" #538: DE Pipe, 20g Brass, 1.5" x 6.75"
8.	41580	Brass Slip Nut and
	11583	Slip Joint Polywasher, 1.5"
9.	41028	Tail Piece, 20g Brass, 1.5" x 3.5"
10.	44001	Tee, Brass
11.	41028	#528: OF Pipe, 20g Brass, 1.5" x 15.625" #538: OF Pipe, 20g Brass, 1.5" x 23.625"
12.	20035	Cable OF EII Assembly with 20041 turning pin
13.	20100	Cable Overflow EII Washer
14.	20020CP...	Cable Overflow Mounting Bracket
15.	11134	Cable O-Ring: AS 568A-204 (two provided)
16.	20030CP...	Cable Overflow Plate
17.	20140	Cable Overflow Plate Locking Screw
18.	20156	#528: Cable Sleeve Ass'y., brass threads, 22.125"
	20160	#538: Cable Sleeve Ass'y., brass threads, 31.0"
19.	20122	Nut for Cable Wire

Roughing-In Dimensions:



Model 528-CA:

Overflow length plus drain length cannot exceed 28 inches.

STANDARD: Overflow Length = 20 inches
Drain Length = 8 inches

Model 538-CA:

Overflow length plus drain length cannot exceed 38 inches.

STANDARD: Overflow Length = 28 inches
Drain Length = 10 inches

Please Note: If lengths needed are not within the standards above, lengths needed must be clearly noted on order.

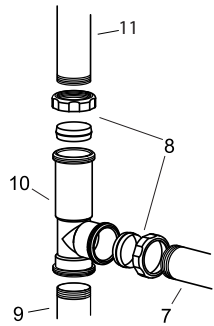


WATCO Manufacturing Company

1220 South Powell Road • Independence, MO 64057-2724
Phone: 816-796-3900 / 800-821-8576 • FAX 816-796-0875 / 800-399-2826
www.watcomfg.com

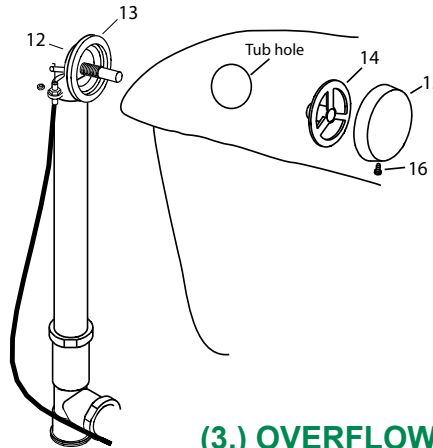
528/538 CABLE ASSEMBLY INSTRUCTIONS

This product comes completely assembled except the tee so the installer can visually identify how the component goes together.



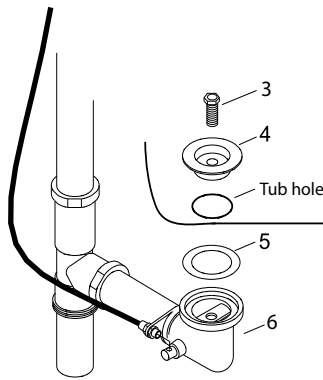
(1.) ATTACH TEE

Use Items 8 (Brass Slip Nuts and Slip Joint Polywashers) to tighten Item 10 (Brass Tee) to Items 7 and 11 (Brass Piping).



(3.) OVERFLOW ASSEMBLY

1. Remove Item 15 (Overflow Plate) by loosening Item 16 (Overflow Plate Locking Screw) with a Phillips screwdriver.
2. Unscrew Item 14 (Cable Overflow Mounting Bracket) by rotating counterclockwise.
3. Place overflow through the tub hole.
4. Re-attach Item 14 (Cable Overflow Mounting Bracket) by rotating clockwise.
5. Install the two o-rings (see instructions below).
6. Re-attach Item 15 (Overflow Plate) and secure with Item 16 (Overflow Plate Locking Screw).
7. Leave at least a 1/8" gap between Item 14 (Cable Overflow Mounting Bracket) and Item 15 (Overflow Plate).

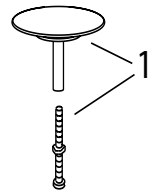


(2.) DRAIN ELL ASSEMBLY

1. Remove Item 3 (Cable Drain Ell Locking Pin) by unscrewing.
2. Place Item 6 (Drain Ell) with Item 5 (Drain Ell Washer) under tub hole.
3. Place Item 4 (Cable Strainer Body) into the tub hole.
4. Screw Item 3 (Cable Drain Ell Locking Pin) into drain ell.

(4.) POP-UP ADJUSTMENT

1. Pop-up should open and close sufficiently; if not, adjust Item 1 (Cable Stopper Adjusting Nut) as needed.
2. If the pop-up closes automatically, make sure both provided o-rings were installed as shown below.



Installation of O-Rings



Step 1: Remove overflow plate by inserting Phillips screwdriver into hole in overflow plate and loosening Overflow Plate Mounting Screw.



Step 2: Push both o-rings onto Center Rotating Pin.



Step 3: Using small screwdriver, push both o-rings into gap between Center Rotating Pin and the Wheel handle.

Step 4: Replace Overflow Plate and tighten Overflow Plate Mounting Screw.