

2" OCULUX - Open reflector

R2BRD, R2BSD

WAC LIGHTING

Responsible Lighting®



Fixture Type:

Catalog Number:

Project: _____

Location: _____

PRODUCT DESCRIPTION

Designed to fit in tight plenum space

FEATURES

- Energy Star® Rated
- Title 24 Compliant
- Cutout: 3⁹/₁₆"
- Single spot light source
- Sold as new construction, may be reconfigured in the field for remodel
- ELV or TRIAC or 0-10V dimming compatible

SPECIFICATIONS

Construction: Die-cast aluminum trim with aluminum heat sink

Dimming: 100% - 5% with 0-10V dimmer

100% - 5% with Electronic Low Voltage (ELV/TRIAC) dimmer

Input: 120V AC

Power: 9W, power factor 0.98

Finish: Powder coated

Standards: ETL & cETL Listed, wet location listed trims

IC-rated airtight housing

Ceiling thickness: 1/2" - 1"

TRIM (SEE NEXT PAGE FOR HOUSING)

	Beam	Color Temp	CRI	Lumen	CBCP	Finish	Interior/Trim
R2BRD Round Open Reflector 35°		N 25° 927 2700K 930 3000K	90	635	2277	HZWT BN WT	Haze/White Brushed Nickel White
		F 45° 927 2700K 930 3000K	90	625	1267		
R2BSD Square Open Reflector 44°		N 25° 927 2700K 930 3000K	90	655	2164	HZWT BN WT	Haze/White Brushed Nickel White
		F 45° 927 2700K 930 3000K	90	645	1138		

R2BRD- _____ - _____

Example: **R2BRD-N930-BN**

wacighting.com
 Phone (800) 526.2588
 Fax (800) 526.2585

Headquarters/Eastern Distribution Center
 44 Harbor Park Drive
 Port Washington, NY 11050

Central Distribution Center
 1600 Distribution Ct
 Lithia Springs, GA 30122

Western Distribution Center
 1750 Archibald Avenue
 Ontario, CA 91760

2" OCULUX - Open reflector

R2BRD, R2BSD

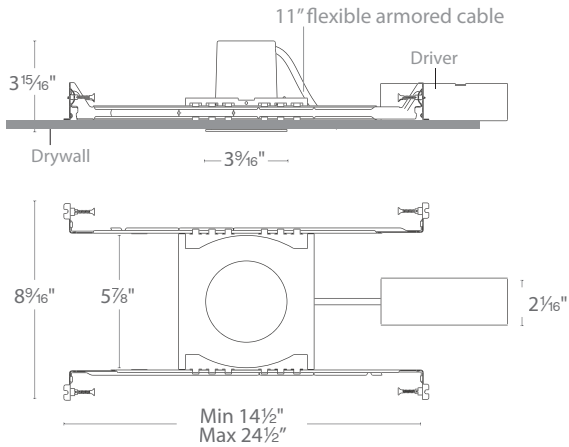
WAC LIGHTING

Responsible Lighting®

INTEGRAL HOUSING AND TRIM: BOTH NEW CONSTRUCTION & REMODEL

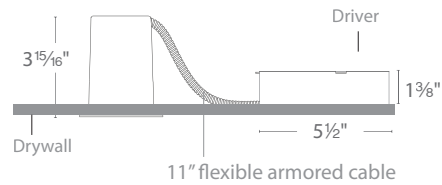
NEW CONSTRUCTION CONFIGURATION

IC-Rated, Airtight



REMODEL CONFIGURATION

IC-Rated, Airtight



waclighting.com
Phone (800) 526.2588
Fax (800) 526.2585

Headquarters/Eastern Distribution Center
44 Harbor Park Drive
Port Washington, NY 11050

Central Distribution Center
1600 Distribution Ct
Lithia Springs, GA 30122

Western Distribution Center
1750 Archibald Avenue
Ontario, CA 91760