



Specification Sheets for Traditional storage cabinets by Strasser Woodenworks.

SPECIFICATION VARIANCES

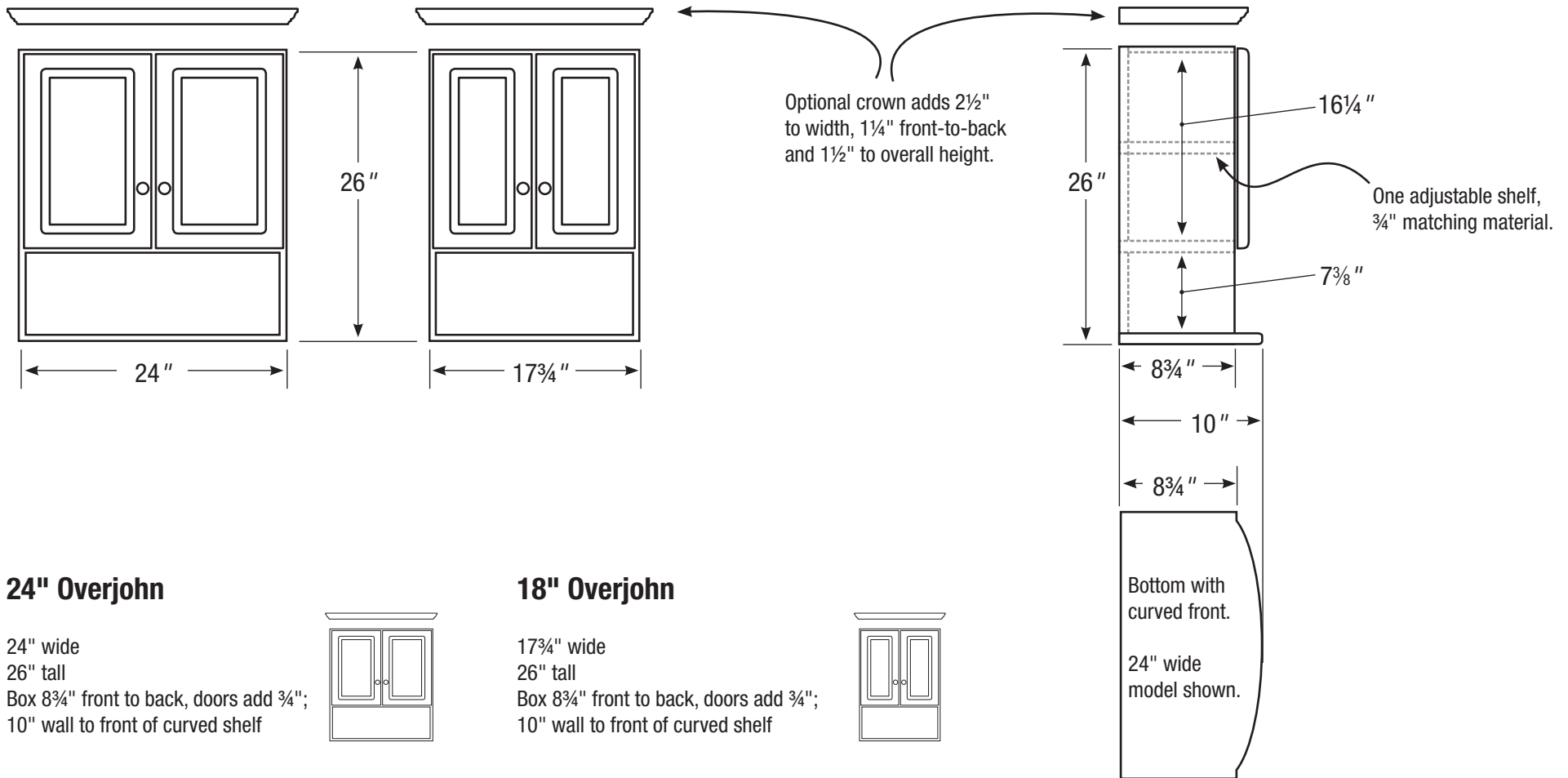
Dimensions on finished vanities may vary slightly from those shown on these specification sheets due to variability in construction materials.

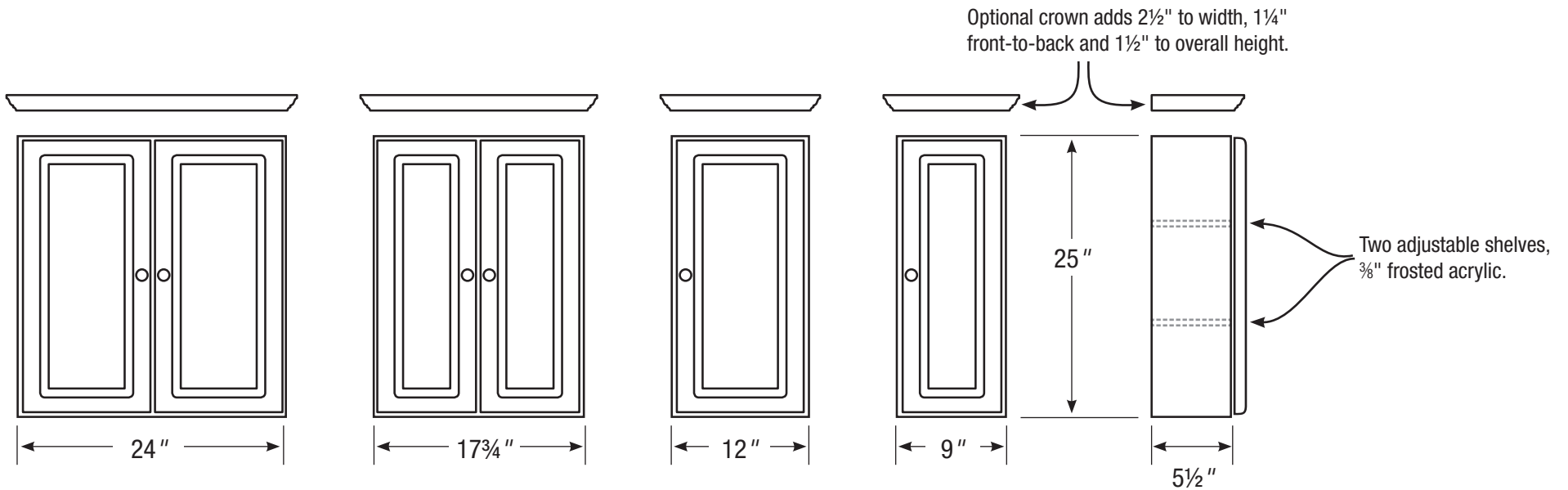
Our products are engineered to maintain close dimensional tolerances but variability in manufacturing materials can change dimensions slightly (normally within $\pm 1/8$ " but occasionally up to $\pm 3/16$ ").

In most applications these slight variations will have no impact upon installation, appearance, or function. However, when planning and finishing a space for a built in vanity, **do not frame or finish the space before measuring the actual cabinet!**

We can not be responsible for any expenses incurred as a result of the end user or contractor not following this guideline.

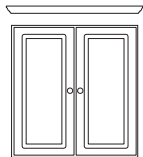






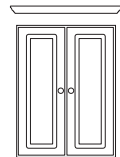
24" Cubby

24" wide
25" tall
Box 5½" front to back,
doors add ⅜"



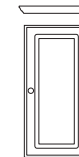
18" Cubby

17¾" wide
25" tall
Box 5½" front to back,
doors add ⅜"



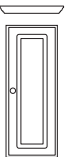
12" Cubby

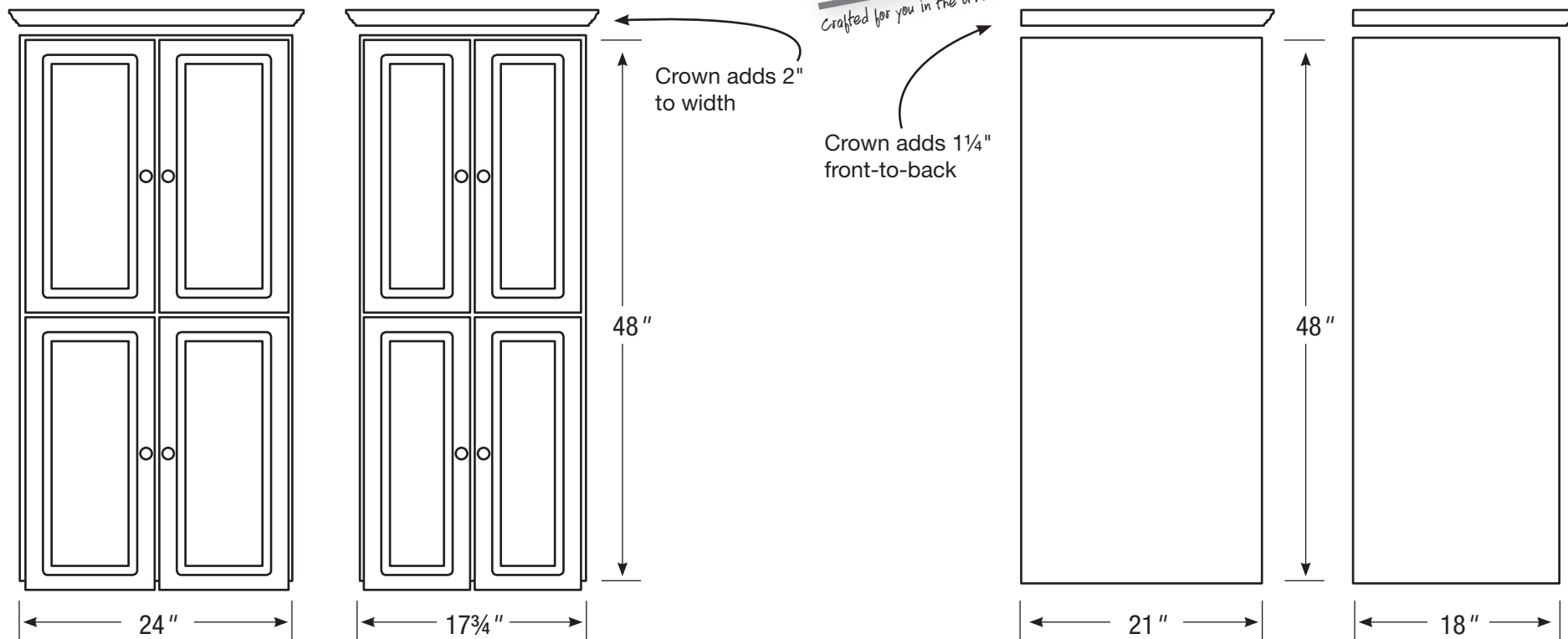
12" wide
25" tall
Box 5½" front to back,
doors add ⅜"



9" Cubby

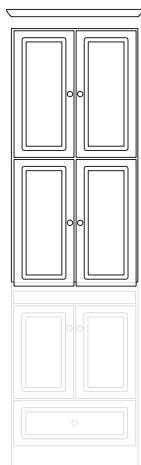
9" wide
25" tall
Box 5½" front to back,
doors add ⅜"





24" Linen Upper

24" wide
48" tall
21" or 18" front-to-back



18" Linen Upper

17 $\frac{3}{4}$ " wide
48" tall
21" or 18" front-to-back

