

# Gesture Table Lamp

KT1262 | 1.0

## GENERATION LIGHTING PORTABLE

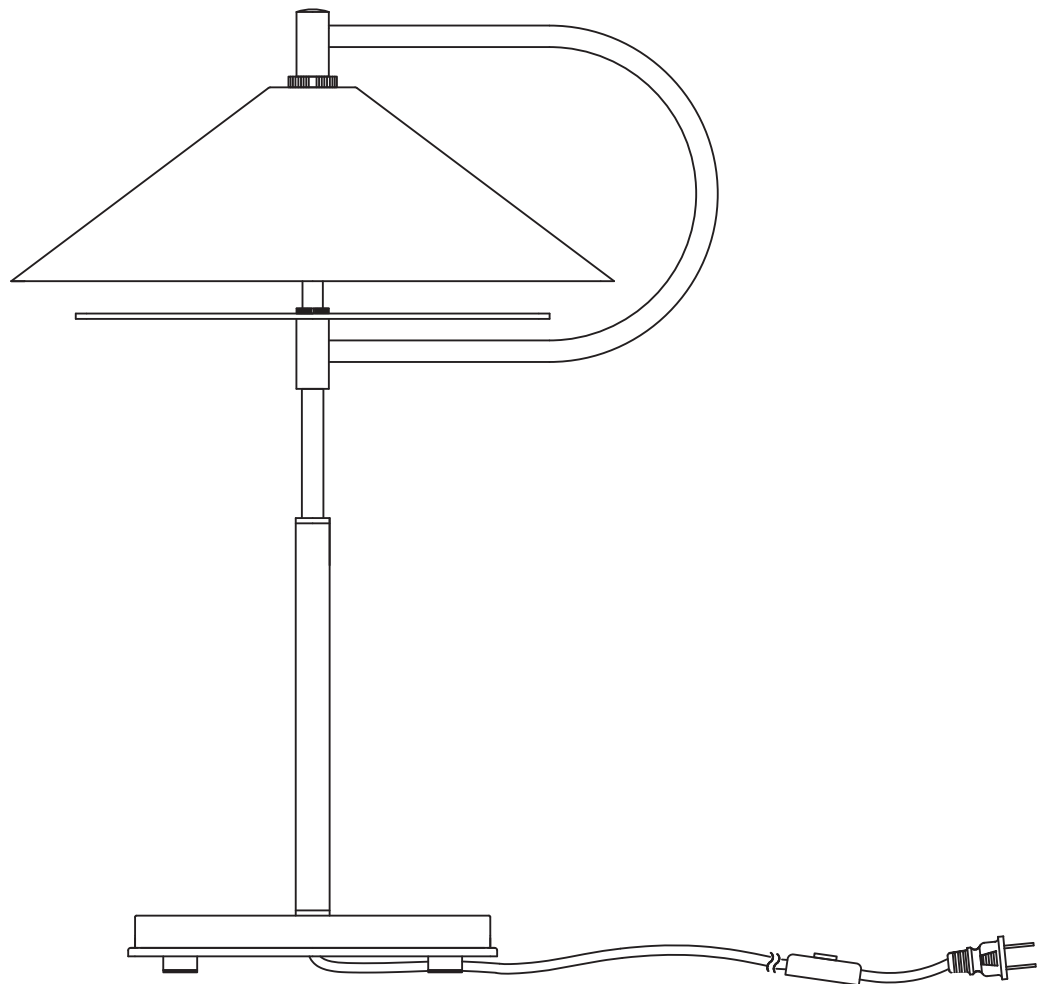
### GENERAL PRODUCT INFORMATION:

This product is safety listed for dry locations only.

This instruction shows a typical installation.

**SAVE THESE INSTRUCTIONS!**

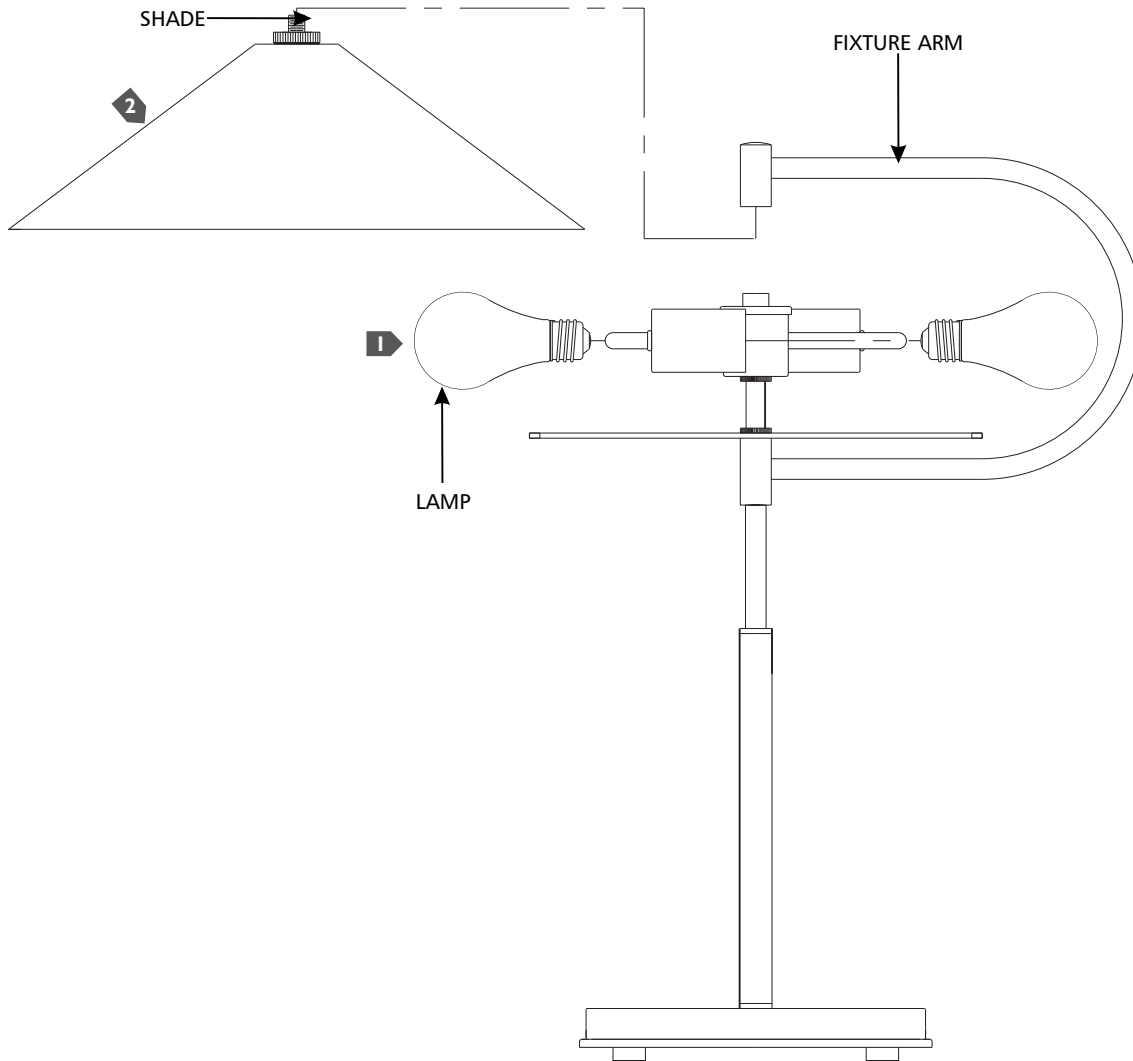
**IMPORTANT SAFETY INSTRUCTIONS**  
This portable lamp has a polarized plug (one blade is wider than the other) as a safety feature to reduce the risk of electric shock. This plug will fit in a polarized outlet only one way. If the plug does not fit fully in the outlet, reverse the plug. If it still does not fit contact a qualified electrician. Never use with an extension cord unless plug can be fully inserted. Do not attempt to defeat this safety feature.



GENERATION LIGHTING  
7400 Linder Ave., Skokie, IL 60077  
T 847.410.4400 | F 847.410.4500  
www.generationlighting.com

# Assemble the Lamp

IA



- 1** Screw the lamps into the sockets. Refer to the label on the lamp socket for Max Wattage Information.
- 2** Screw the shade onto the fixture arm.