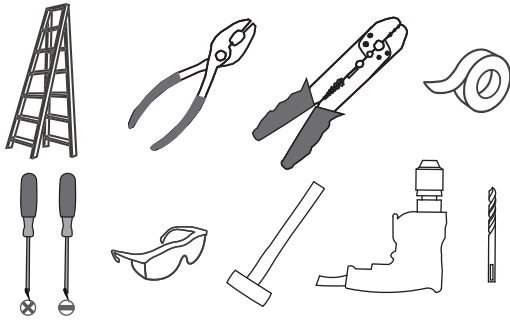


**Tools Required**



**Light Source**

27W  
**LED**

**Warnings and Cautions**

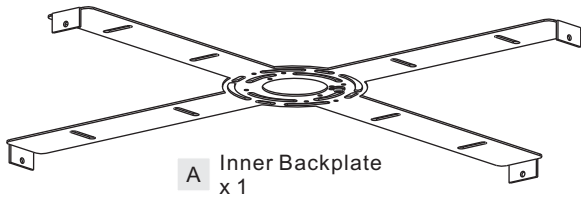
Turn off the electricity at the circuit breaker before installation. Consult a licensed electrician if in doubt about installation.

**Package Contents**

**Preparation:** Identify and inspect all parts before beginning the installation.

Missing or damaged parts? Contact your original place of purchase.

**PARTS BAG**



**A** Inner Backplate  
x 1



**B** Wall Anchor  
x 4



**E** Mounting Screw  
x 4



**C** Flat Washer  
x 4



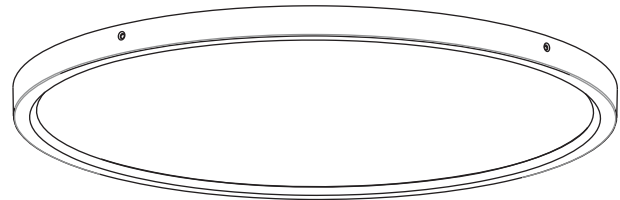
**F** Outlet Box Screw  
x 2



**D** Screw  
x 4



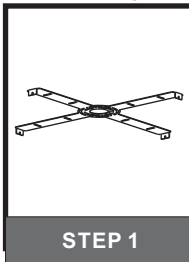
**G** Wire Connector  
x 3



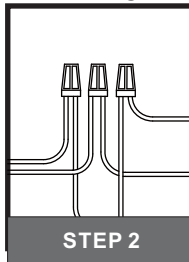
**H** Fixture Body  
x 1

**Table of Contents**

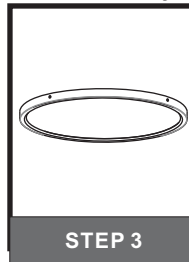
**Inner Backplate**



**Wiring**



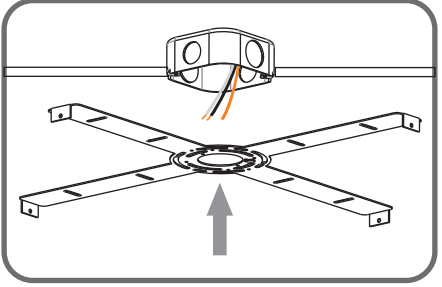
**Fixture Body**



**STEP 1**

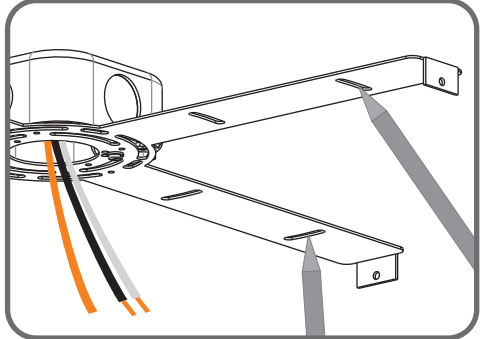
1

Fit inner backplate to outlet box



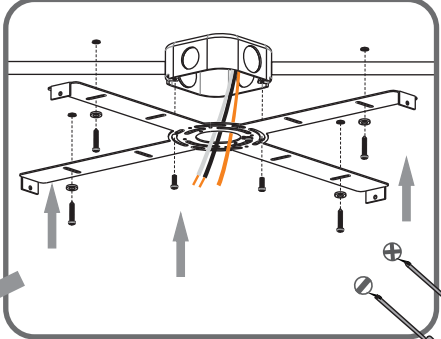
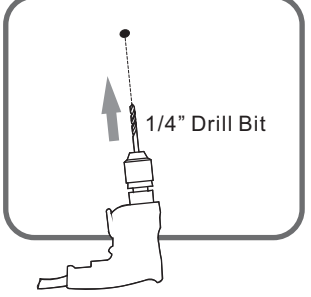
2

Mark anchor holes location on the ceiling



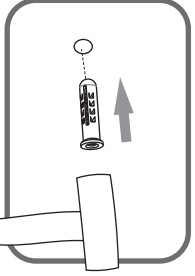
3

Drill holes for anchors from marks



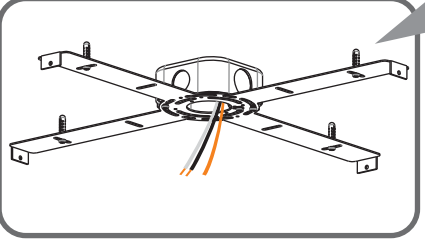
Install inner backplate

5

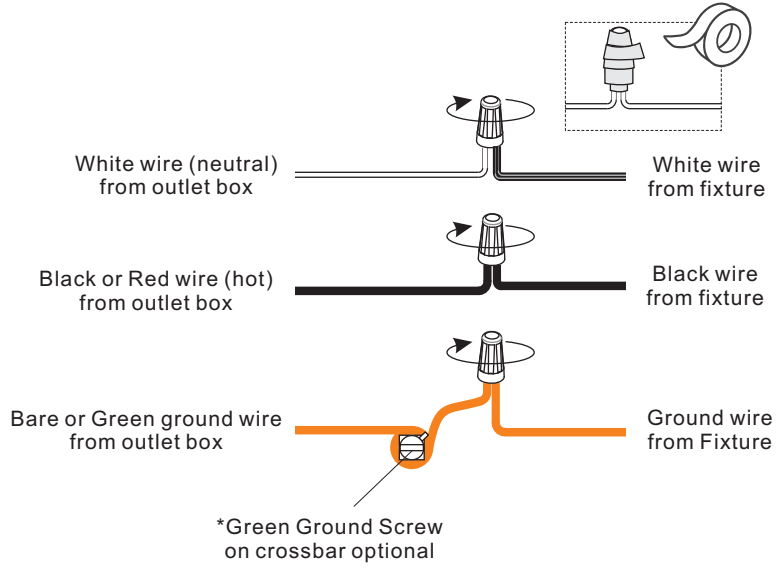


Install wall anchors

4



**STEP 2**



**STEP 3**

