

**SAFETY INFORMATION**

Released Date: 2022-05-07

Please read and understand this entire manual before attempting to assemble, install or operate the product.

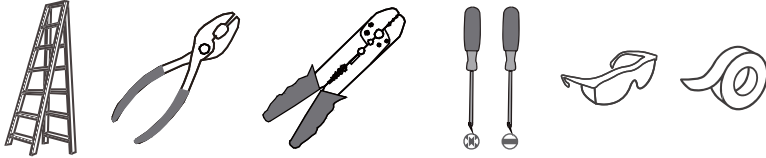
**WARNING**

• **RISK OF ELECTRIC SHOCK** - Before beginning installation, turn off electricity at the circuit breaker box or the main fuse box.

• **CAUTION**

• For your safety, read instructions completely before beginning installation.  
• If in doubt about electrical installation, consult a licensed electrician.

• **TOOLS REQUIRED**



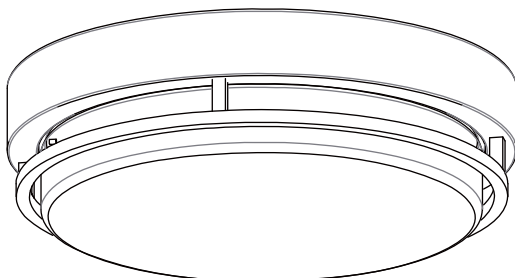
Ratings	120Vac, 60Hz	
	Model No.	Wattage
	HAL1614EK	20W
	HAL1614BN	20W
	HAL1612EK	15W
	HAL1612BN	15W

**CARE AND MAINTENANCE**

• Wipe clean using soft, dry cloth or static duster. Always avoid using harsh chemicals and abrasives to clean fixture as they may damage the finish.

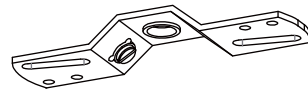
If you need further assistance call Quozel Customer Care at 1-800-645-3184 (9:00am - 5:00pm EST), or visit us on-line at [www.quezel.com](http://www.quezel.com).

**PACKAGE CONTENTS**



**A** Fixture Body  
x 1

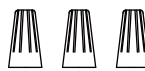
**MOUNTING HARDWARE**



**AA** Crossbar  
x 1



**BB** Mounting Screw  
x 2



**CC** Wire Connector  
x 3



**DD** Outlet Box Screw  
x 2

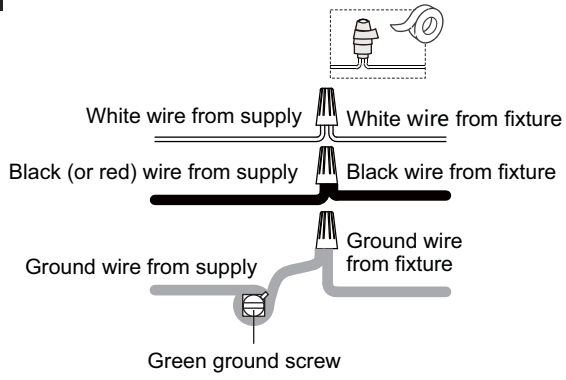
**INSTALLATION**

**1 Remove Shade from Fixture Body**

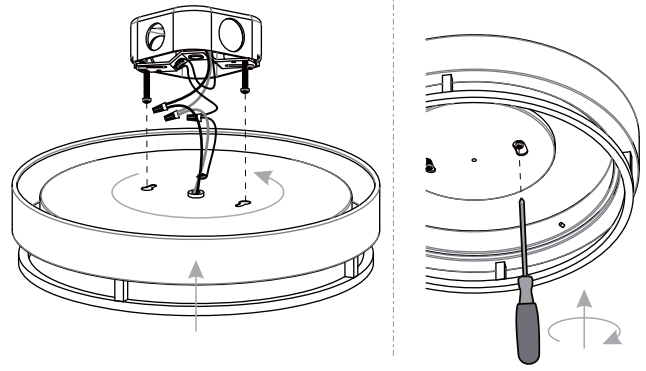
**2 Install Crossbar**

# INSTALLATION

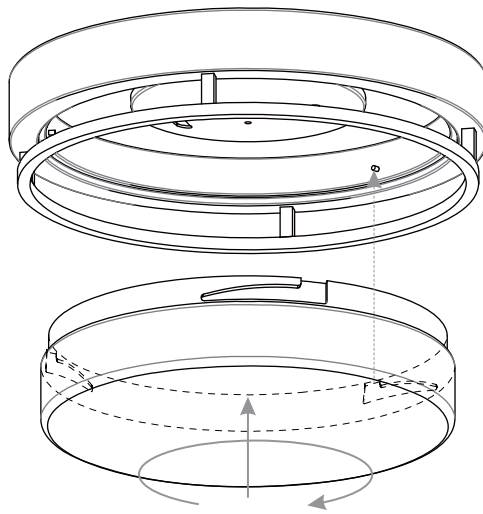
## 3 Wiring



## 4 Install Fixture Body



## 5 Install Shade back to Fixture Body



**Your installation is now complete! Restore electricity and save this sheet for future reference.**