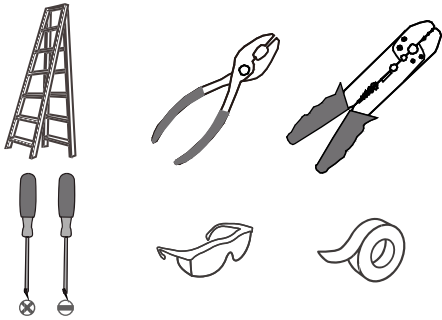
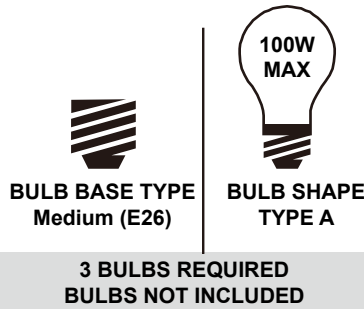


Tools Required



Light Source



⚠ Warnings and Cautions

Turn off the electricity at the circuit breaker before installation. Consult a licensed electrician if in doubt about installation.

Turn off power to the fixture and allow the bulbs to cool before replacing.

Package Contents

Preparation: Identify and inspect all parts before beginning the installation.

Missing or damaged parts? Contact your original place of purchase.

PARTS BAG

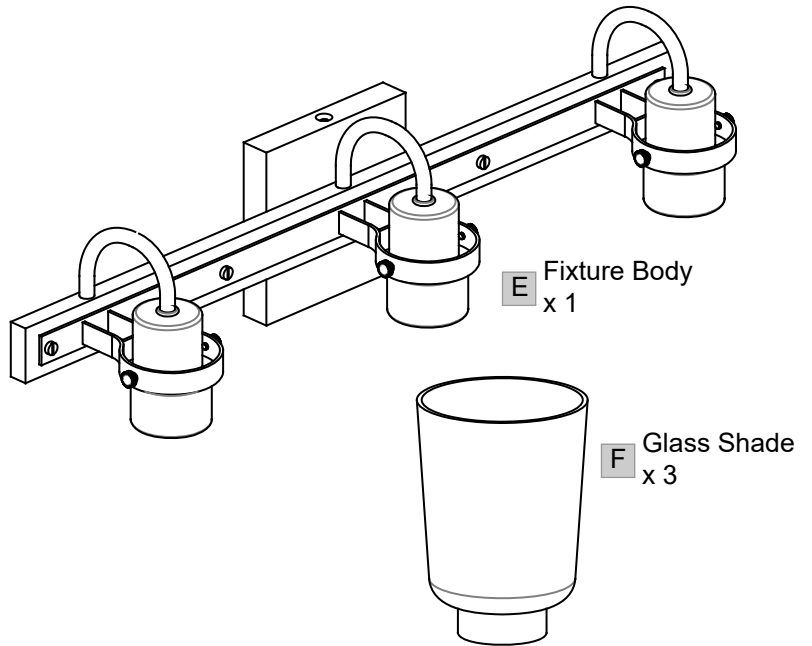
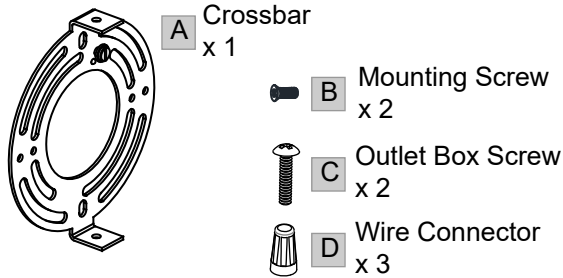

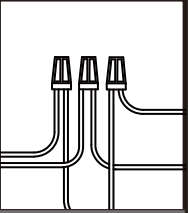
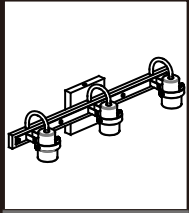
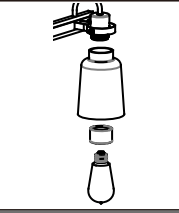
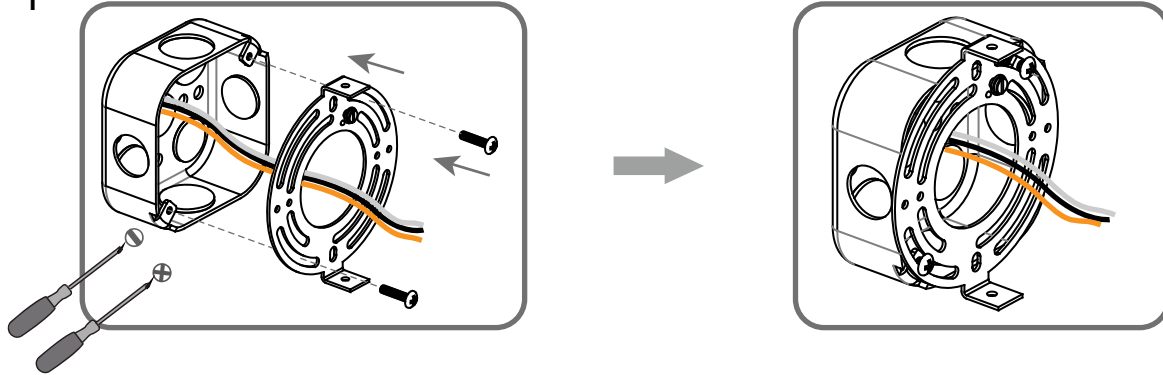


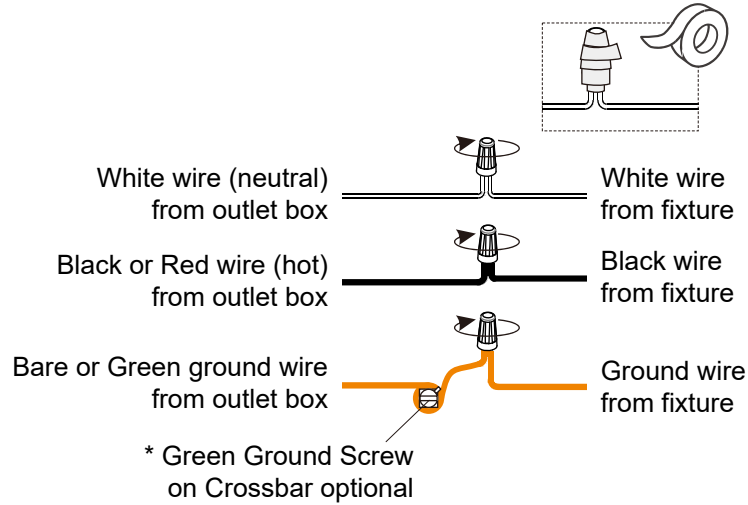
Table of Contents

Crossbar	Wiring	Fixture Body	Glass Shade & Bulb
			
STEP 1	STEP 2	STEP 3	STEP 4

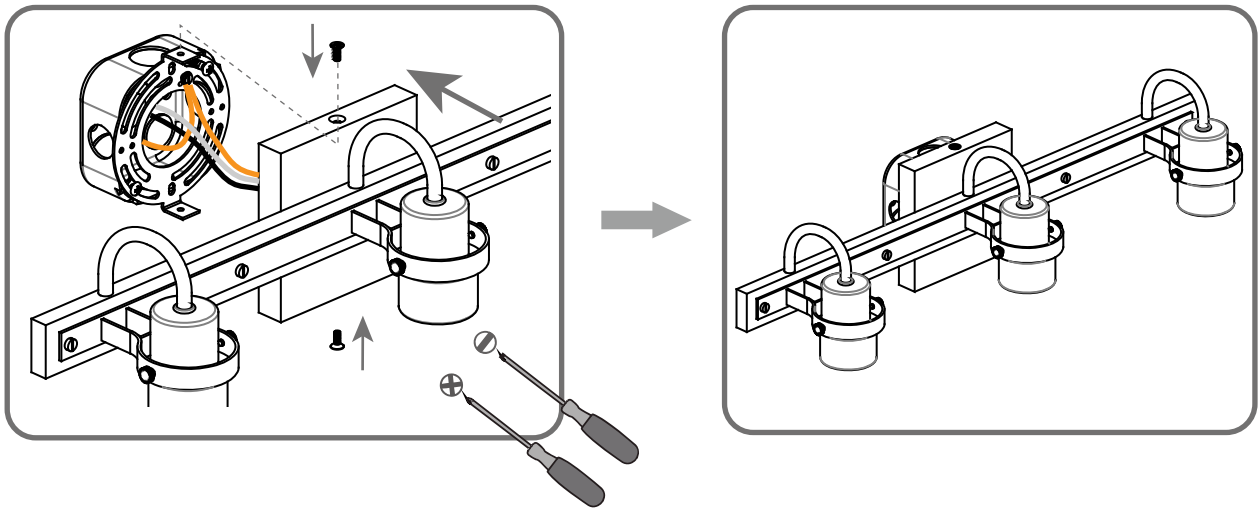
STEP 1



STEP 2



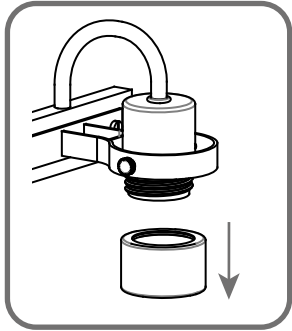
STEP 3



STEP 4

1

remove socket collar



2

install glass shade and bulb

