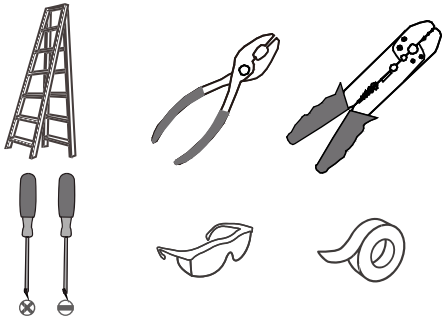
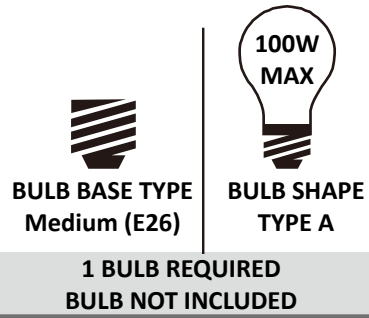


Tools Required



Light Source



Warnings and Cautions

Turn off the electricity at the circuit breaker before installation. Consult a licensed electrician if in doubt about installation.

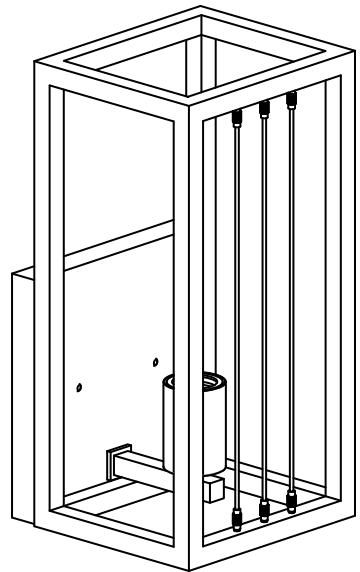
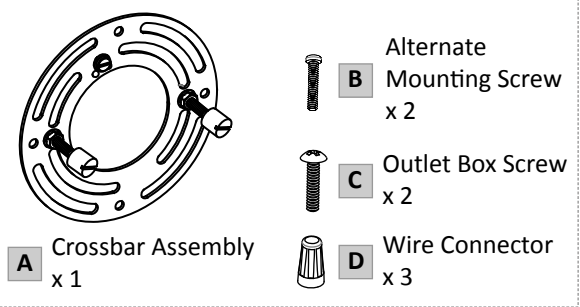
Turn off power to the fixture and allow the bulbs to cool before replacing.

Package Contents

Preparation: Identify and inspect all parts before beginning the installation.


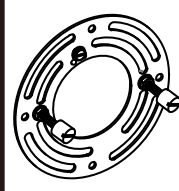
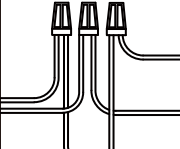
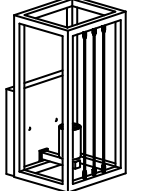

Missing or damaged parts? Contact your original place of purchase.

PARTS BAG



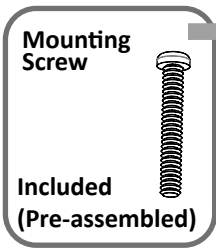
E Fixture Body x 1

Table of Contents

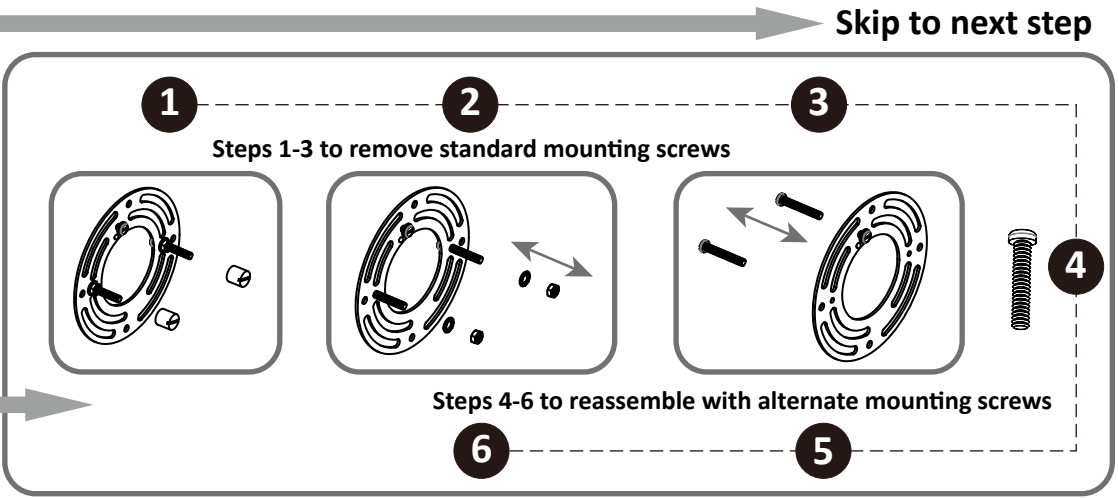
Alternate Mounting Screw	Crossbar Assembly	Wiring	Fixture Body	Bulb
				
STEP 1	STEP 2	STEP 3	STEP 4	STEP 5

STEP 1

OPTION 1

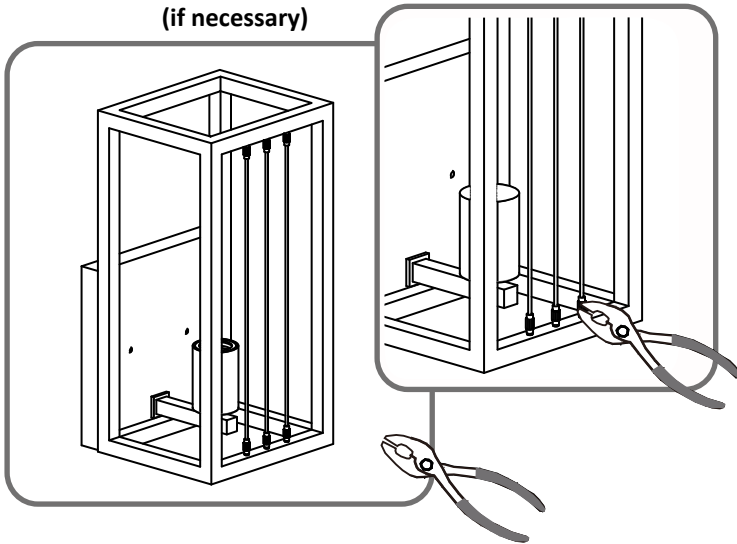


OPTION 2



STEP 2

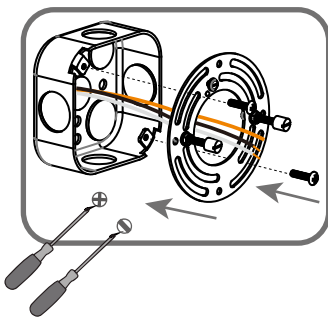
* Tighten slack cable*
(if necessary)



STEP 3

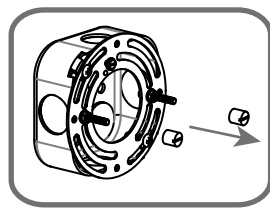
1

Step 1
Install crossbar assembly

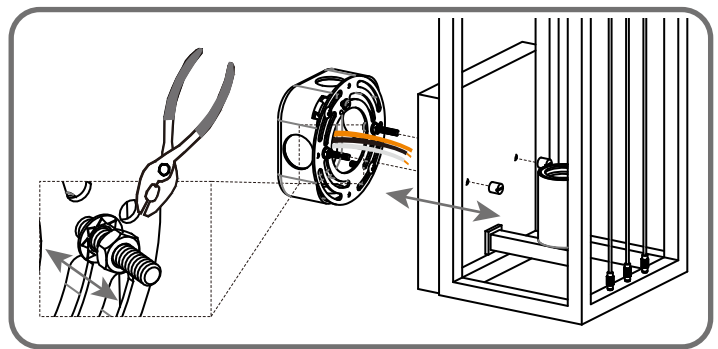


2

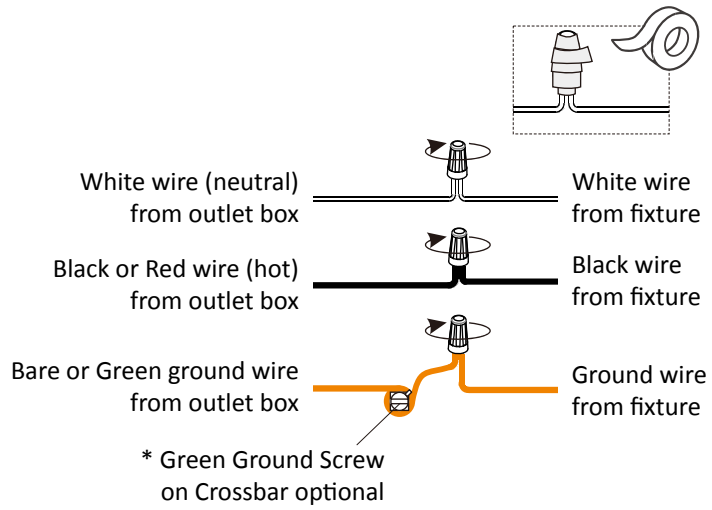
Step 2-3
Tie fitting backplate to mounting screws



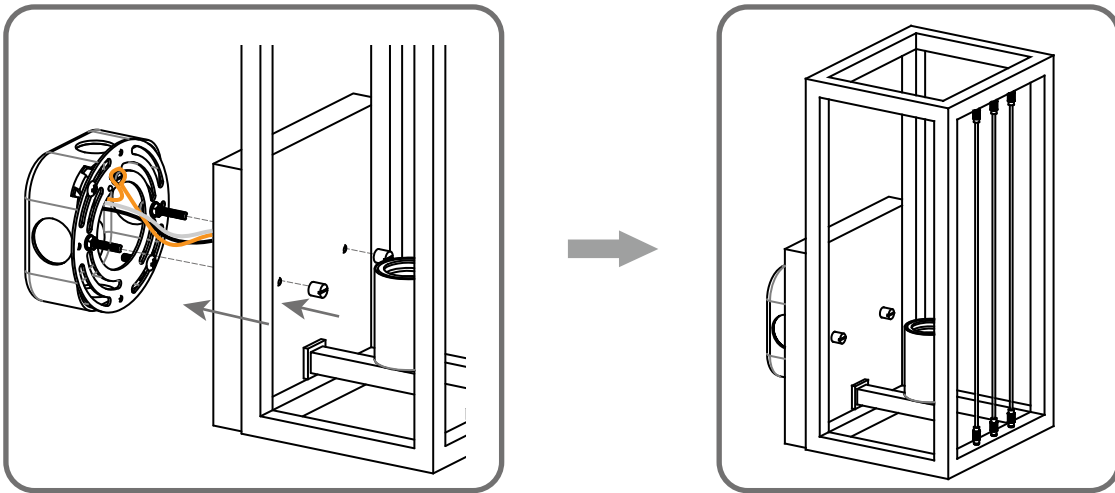
3



STEP 4



STEP 5



STEP 6

