

Premier Copper Products

CODE/STANDARD COMPLIANCE

\* IAPMO/cUPC LISTED



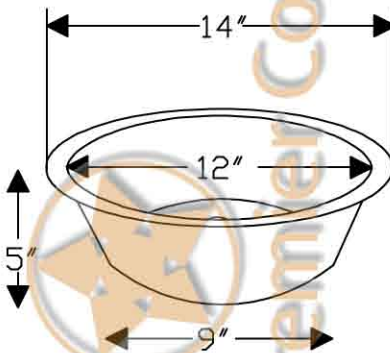
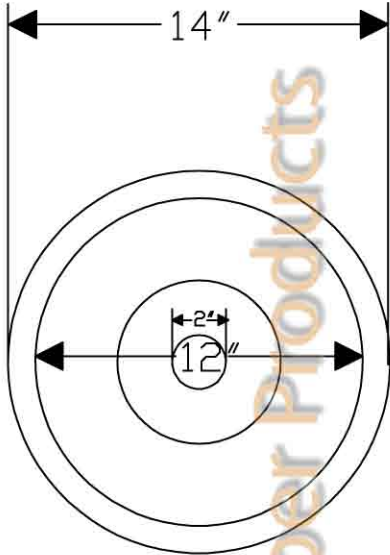
# ITEM # BR14DB2 14" ROUND BAR

OUTER DIMENSIONS: 14"X5"

INNER DIMENSIONS: 12"X5"

DRAIN SIZE: 2" BAR STANDARD

MATERIAL GAUGE: 17



**IMPORTANT:** THIS PRODUCT IS HAND CRAFTED AND SMALL VARIANCES MAY OCCUR. DIMENSIONS MAY VARY UP TO 1/4". DO NOT MAKE ANY INSTALLATION CUTS UNTIL YOU RECEIVE YOUR SINK.