

Specification Submittal Data / Panasonic Ventilation Fan

Description:

Ventilating fan shall be Low Noise ceiling or wall mount type rated for continuous run. Fan shall be ENERGY STAR[®] rated and certified by the Home Ventilation Institute (HVI). Evaluated by Underwriters Laboratories and conform to both UL and cUL safety standards.

Motor/Blower:

- Enclosed DC brushless ECM motor technology rated for continuous run.
- Fan ventilation rates shall be manually adjustable for 80 or 100 CFM.
- Power rating shall be 120 volts and 60 Hz.
- Fan shall be UL and cUL listed for tub/shower enclosure when GFCI protected and used in insulated ceiling (TYPE I.C.).
- PCB board equipped with thermal-cut off fuse.
- Removable with permanently lubricated plug-in motor.

Housing:

- 26 gauge galvanized steel body.
- Built-in 4" Oval duct collar. Also compatible with 4" round duct.
- Optional 24 gauge steel, fire code rated 4" oval to 3" round duct adaptor sold separately (Model # FV-VS43R).
- Built in backdraft damper.
- Built-in metal flange provides blocking for penetrations through drywall as an Air Barrier, and assists with the decrease in leakage in the Building Envelope during blower door testing.
- Unique L-shaped bracket simplifies installation and provides strong support.

Ceiling Radiation Damper:

- WhisperValue DC is UL listed for use with the Panasonic Ceiling Radiation Damper (Model #: PC-RD05C5, sold separately).

Grille:

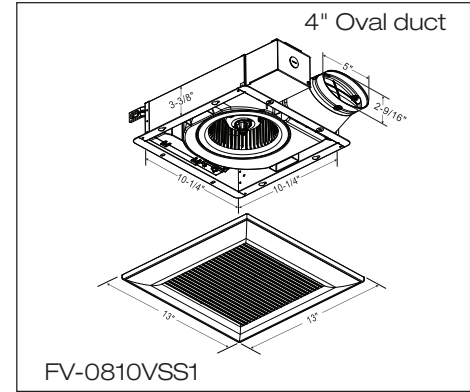
- Attractive design using Poly Pro material.
- Attaches directly to housing with torsion springs.

Warranty:

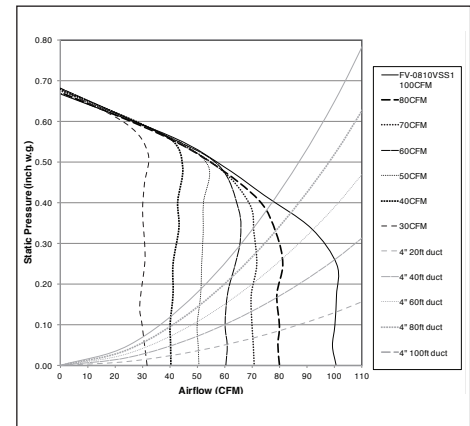
- DC Motor: 6 Years from original purchase date.
- ALL Parts: 3 Years from original purchase date.

Architectural Specifications:

Ventilation fan shall be UL and cUL listed for ceiling or wall mount and tub/shower enclosure when GFCI protected. Fan shall also be ENERGY STAR[®] certified with multispeed control (0, 30-70 CFM, in 10 CFM increments) that shall be built-in with a high/low 20 minute delay timer and activated by a wall switch. Fan shall also incorporate a built-in speed selector. Choose from 80 or 100 CFM and no more than 0.4/0.9 sone as certified by the Home Ventilating Institute (HVI) at 0.1 static pressure in inches water gauge (w.g.) with no less than 81/101 CFM and no more than 0.8/1.3 sone as certified by HVI at 0.25 w.g. Power Consumption shall be no greater than 8.5/12.4 watts at 0.1 w.g. and 13.2/18.0 watts at 0.25 w.g., with efficiency of no less than 10.0/8.2 CFM/watt at 0.1 w.g. and 6.5/5.7 CFM/watt at 0.25 w.g. The motor shall be totally enclosed with a brushless ECM motor engineered to run continuously. ECM motor speed shall automatically increase when the fan senses static pressure to maintain selected CFM. Power rating shall be 120V/60Hz. Duct diameter shall be no less than 4". Optional 24 gauge steel, fire code rated 4" oval to 3" round duct adaptor sold separately (Model # FV-VS43R). Fan can be used to comply with ASHRAE 62.2, LEED, EarthCraft, California Title-24 and WA Ventilation Code.



Performance Curve 4" Oval duct



Specifications and Additional Features on following page.

For complete Installation Instructions visit us.panasonic.com/ventfans

Model	Quantity	Comments	Project:
			Location:
			Architect:
			Engineer:
			Contractor:
			Submitted by:
			Date:

Specification Submittal Data / Panasonic Ventilation Fan

(Continued)



ECM Motor Technology

When the fan senses static pressure, its speed is automatically increased to ensure that the desired CFM is not compromised, which allows the fan to perform as rated.

Multi-Speed with Time Delay

Select the proper CFM settings to satisfy ASHRAE 62.2 continuous ventilation requirements. The fan runs continuously at a preset lower level (0, 30-70, in 10 CFM increments), then elevates to a maximum level of operation (80 or 100 CFM) when the wall switch is turned on. A High/Low delay timer returns the fan to the preset CFM level after 20 minutes.

Specifications: WhisperValueDC FV-0810VSS1		4" Oval		4" Oval		4" Oval		4" Oval		4" Oval		4" Oval		4" Oval		
Ventilation Fan Characteristics (HVI Certified Data)	Static Pressure in inches w.g.	0.1	0.25	0.1	0.25	0.1	0.25	0.1	0.25	0.1	0.25	0.1	0.25	0.1	0.25	
	Air Volume (CFM)	100	101	80	81	70	72	60	64	50	52	40	41	30	31	
	Noise (sones)	0.9	1.3	0.4	0.8	<0.3	0.6	<0.3	0.6	<0.3	0.5	<0.3	0.5	<0.3	0.5	
	Power Consumption (watts)	12.4	18.0	8.5	13.2	6.5	10.8	5.3	9.3	4.5	7.7	3.8	6.7	3.4	6.0	
	Energy Efficiency (CFM/Watt)	8.2	5.7	10.0	6.5	11.2	6.9	11.8	7.2	12.1	7.3	11.8	6.9	10.2	6.0	
	Speed (RPM)	954	1176	856	1114	805	1088	770	1076	733	1050	723	1037	711	1033	
	Current (amps)	0.18	0.25	0.13	0.20	0.10	0.16	0.09	0.15	0.08	0.13	0.07	0.11	0.06	0.10	
	MAX. Current (amps)	0.39														
	Power Rating (V/Hz)	120/60														
	ENERGY STAR rated	YES														

0.25=Installed Performance

Panasonic Eco Solutions North America
Eco Products Division
Two Riverfront Plaza
Newark, NJ 07102

us.panasonic.com/ventfans

