

Installation Instructions

NRM2 Series Marquise II

IMPORTANT: READ PRIOR TO ATTEMPTING INSTALLATION

ALWAYS TURN OFF MAIN POWER BEFORE INSTALLATION

INSTALLATION SHOULD BE CARRIED OUT BY YOUR LOCAL ELECTRICIAN.

WARNING: Fire/Electrical Hazard

This equipment is intended to be installed only by qualified personnel. The installation must be made in accordance with the current edition to the National Electric Code and all applicable state and local building codes. The final installation must be approved by the appropriate qualified electrical/building inspector(s). Improper installation may result in a fire or electrical hazard. Be sure the electrical power to the circuit has been disconnected before installing this electrical system.

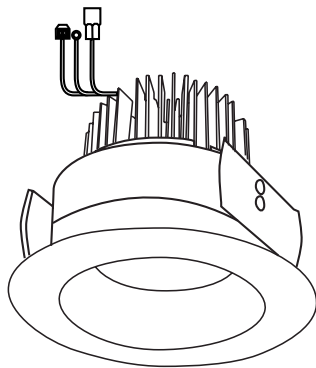
"Do not make or alter any open holes in an enclosure of wiring or electrical components during kit installation."

AVERTISSEMENT : Fire / Risque électrique

Cet équipement est destiné à être installé uniquement par du personnel qualifié . L'installation doit être faite en conformité avec l'édition actuelle du Code national de l'électricité et toutes étatiques et locales codes du bâtiment applicables . L'installation finale doit être approuvée par l'inspecteur en électricité / bâtiment qualifié approprié (s) . Une mauvaise installation peut entraîner un incendie ou un risque électrique . Soyez sûr de la puissance électrique vers le circuit a été coupée avant l'installation de ce système électrique .

A. PACKAGING CONTENTS

Fig. 1 Marquise II Trim



C. ELECTRICAL RATINGS

Refer to correlation label of luminaire and/or specification sheet in Nora's website, www.noralighting.com

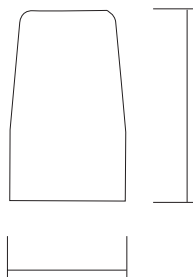
FOR LED/DEDICATED HOUSINGS:

1. Connect orange female to male connector and ground wire of the fixture to housing (Fig.4). Connector is not intended to support weight of the fixture. Please support fixture at all times.
2. Squeeze in mounting blade on both side and carefully push fixture into the housing (Fig.5)
3. Aim fixture straight down r angle towards a focal point.

B. HOUSING DIMENSIONS

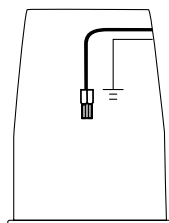
	4"	5"	6"
Min.Height	5-1/2"	5-1/2"	5-1/2"
Width	4-1/8"	5-3/8"	6-1/8"

Fig. 3



Safety tests was conducted in minimum housing dimension specified above (Fig. 3). Luminaire malfunction and overheating may occur if installed into a smaller housing.

Male Connector



Female Connector

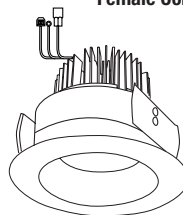


FIGURE 4

Male Connector

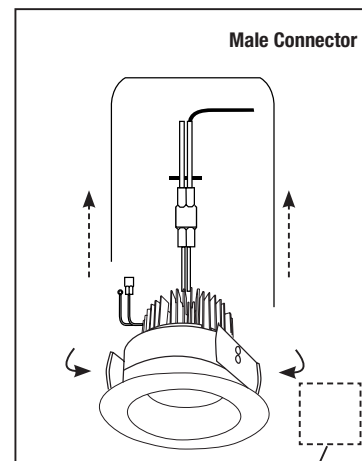


FIGURE 5

