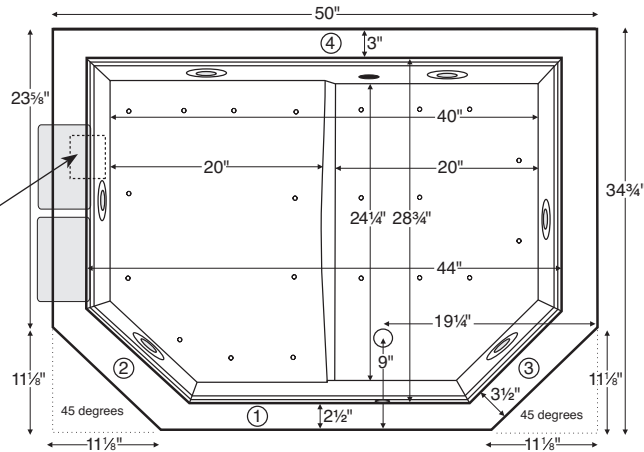


Atlantica



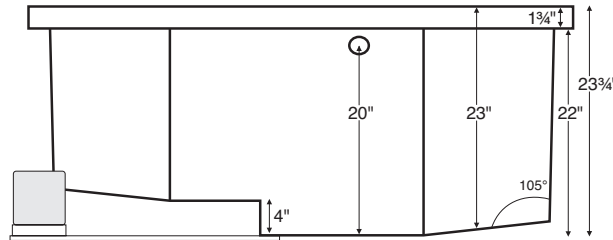
MODEL 65
50" x 23.625" / 34.75" x 23.75"
DROP-IN or UNDERMOUNT <i>Not recommended as a tub/shower combination</i> 71 gal to overflow
Acrylic CXL™
100 lbs / 45 kg soaker 150 lbs / 68 kg plumbed
Filling this tub to the maximum may require an above average size or dedicated water heater.

Compliance Label
Model MTXXXX
Made in USA
Complies with
ANSI Z124.1-1995
CSA Certified C/US



Numbered areas on tub deck represent possible locations to install cleaning systems, faucets and other fixtures. Pump extends 6"-7" beyond edge of tub. Shown with Air Massage and Standard Whirlpool Package.

PLEASE NOTE:
This tub is very small and is intended for applications where space is extremely limited.



IMPORTANT:
Air baths and tubs with a pre-leveled foam base or frame system add 2-3" to overall tub height.

IMPORTANT ORDERING & INSTALLATION INFORMATION

- Before ordering or installing, please consider future access to equipment.
- Add proper bedding compound to fully level and support bottom of tub.
- When equipped with an air bath package, pre-leveled foam base or frame system, overall tub height is increased by approx. 2-3" and is designed to install on a flat, level subfloor.
- Radiance placed on airbath floor will affect placement of air jets.
- System components may extend beyond the perimeter of deck.
- Measure tub **on-site** before building tub decking.
- Advise MTI when planning to use a glass enclosure. Relocation of controls may be necessary.
- Suction and control locations may vary.
- System components may extend beyond the perimeter of deck.
- All tubs are compliant with ASTM C 1028-07 coefficient of friction. DoloMatte meets ANSI A1371/A326.3 coefficient of friction and AS HB198:2014 slip tests.

ELECTRICAL COMPONENTS & SPECIFICATIONS

Hydrotherapy Package	Components Included	GFCI / 110V
Standard Whirlpool	2-bhp pump	1-15 amp
Microbubbles	Microbubbles pump	1-15 amp
Air Massage	heated blower	1-15 amp
Air Massage Elite	heated blower, chromatherapy	1-15 amp

Electrical requirements may change with the addition of optional therapy components. See specific option details or installation information, CSA Certified C/US; B45.5/IAPMO ANSI Z124.1 and ANSI 112.197

Hydrotherapy Package	Components Included	GFCI / 110V
Microbubbles with Air	Microbubbles pump, heated blower	1-20 amp
Microbubbles with Air Elite	Microbubbles pump, heated blower, chromatherapy	2-15 amp
Air with Whirlpool	2-bhp pump, heated blower	2-15 amp
Air Elite with Whirlpool	2-bhp pump, heated blower, chromatherapy	2-15 amp

See the Installation & Operation Manual for more details.
MTI's Customer Service Monday-Friday 8am-6pm EST
800-783-8827 or service@mtibaths.com

- Before discarding tub crate, check for accessories that may be packaged inside.
- All product measurements are ±1/2".
- Specifications and configurations are subject to change without notice.
- Measurements herein supersede all others published prior to publication date below.



Atlantica

MODEL # 65

50" x 23.625" / 34.75" x 23.75"

- Aromatherapy is eliminated for undermount applications
- Air Baths, Pre-Leveled Foam Base or Frame Systems increase overall height by 2-3".

Hydrotherapy Packages	Package Contents	Part #	MSRP
Soaker	Soaking bath - no jets	S65-DI	\$3,415
		S65-UM	
Microbubbles	1 microbubbles infusion port and pump	M65-DI	\$6,735
		M65-UM	
Air Massage	20 air jets, heated air blower, pre-leveled foam base	AST65-DI	\$7,065
		AST65-UM	
Air Massage Elite	30 air jets, heated air blower, Chromatherapy LED lighting, Spa Mode, pre-leveled foam base	AE65-DI	\$8,965
		AE65-UM	
Microbubbles with Air Massage	1 microbubbles infusion port and pump, 20 air jets, heated air blower, pre-leveled foam base	ASTM65-DI	\$9,785
		ASTM65-UM	
Microbubbles with Air Massage Elite	1 microbubbles infusion port and pump, 30 air jets, heated air blower, Chromatherapy LED lighting, Spa Mode, pre-leveled foam base	AEM65-DI	\$11,585
		AEM65-UM	
Standard Whirlpool	6 point-massage jets, 2-bhp pump	P65-DI	\$6,270
		P65-UM	
Air Massage with Standard Whirlpool	6 point-massage jets, 2-bhp pump, 20 air jets, heated air blower, pre-leveled foam base	AW65-DI	\$9,920
		AW65-UM	
Air Massage Elite with Standard Whirlpool	6 point-massage jets, 2-bhp pump, 30 air jets, heated air blower, Chromatherapy LED lighting, Spa Mode, pre-leveled foam base	AEAP65-DI	\$11,820
		AEAP65-UM	

RECOMMENDED SENSORY THERAPIES

Chromatherapy

(LE) **\$800** underwater lighting
2 LED lights included

Audiotherapy

(STEREOBT) **\$1,390** 2 transducers with bluetooth and amplifier
(BTREMOTE) **\$600** bluetooth remote

(STEREOH202) **\$1,575** 4 transducers amplifier not included

Thermaltherapy

(RAD100) **\$1,595** Radiance®
2 heated zones included
(HTISOAK) **\$825**



For more information on options and accessories go to Acrylic Tub Options on mtibaths.com

<p>Options <i>Must be ordered at time of purchase.</i></p>
<p>Standard Colors White (CWH) only</p>
<p>Quick Ship reduces lead time (QSPRI) \$430 <i>Please call for availability</i></p>
<p>Inline Heater maintains water temperature For Soaker or Air Baths (HTISOAK) \$825 Includes a recirculating pump <i>Cannot be combined with Microbubbles.</i></p>
<p>Virtual Spout high-flow integrated tub filler (FPMJ) \$450 <i>Must specify stub-out location on order. See page 1 for location options.</i></p>
<p>Grab Bars from \$330 <i>Selections vary. Personalization available.</i></p>
<p>Textured, Slip-Resistant Bottom (TXTBTM) \$105 Compliant with ASTM C 1028-07 friction coefficient.</p>
<p>Accessories</p>
<p>Pillows from \$180</p>
<p>Teak Bath Mat (TKMAT3018) \$815 <i>Custom sizes also available. Contact MTI for details and pricing.</i></p>

<p>Hydrotherapy Equipment & Cleaning Systems <i>Must be ordered at time of purchase.</i></p>
<p>Inline Heater maintains water temperature For Whirlpools or Stream Bath (HTI) \$570 Uses existing pump <i>Cannot be combined with Microbubbles.</i></p>
<p>Whirlpool Cleaning Systems Fill-Flush (FFSO) \$590 Simple Touch (FFE) \$1,020 <i>Must specify stub-out location on order. See page 1 for location options.</i></p>
<p>Whirlpool Jets Pump upgrade may be advisable for optimal performance when adding jets. Point-Massage Jet Extra Point-Massage Jet (EJ) \$315 Micro-Jet from \$360 <i>Jet styles and packages vary. Personalization available.</i></p>
<p>Pump Upgrade - 3-bhp (PUMP3) \$315</p>
<p>Jet Trim Kits For Standard Whirlpool Chrome (TRC) \$270, Brushed Nickel (TRBN) \$725 For Ultra Whirlpool Chrome (TRCU) \$370, Brushed Nickel (TRBNU) \$960</p>
<p>Ozonator (OZONE) \$515 <i>Cannot be added to soakers or airbaths without combination hydrotherapy package or HTISOAK.</i></p>

Installation Options *Must be ordered at time of purchase.*

<p>Pre-Leveled Foam Base (PLFOAM) \$295 All airbaths include a pre-leveled foam base.</p>
<p>Pre-Leveled Frame and Foam Base (PLF) \$740</p>
<p>Pre-Leveled Frame and Foam Base with Skirting <i>For pricing and details go to mtibaths.com</i></p>

<p>Tile Flange Factory-Installed on 3 sides - rigid ABS (TFK3) \$200 Field Install Kit - includes rigid ABS & adhesive (TFKNI) \$185 IMPORTANT: <i>Must specify flange location(s) on order of Factory-Installed Flange. Not available with optional Low-Profile Rim.</i></p>

Drains & Overflow Kits

<p>Cable Driven</p> <p>Drain Finishes – PVC Drain Kit White/Bone/Biscuit (WOCDW) \$440 Chrome (W OCD) \$410 Brushed Nickel (WOCDBN) \$490 Polished Nickel (WOCDPN) \$540 Oil-Rubbed Bronze[†] (WOC DOR) \$550 Polished Brass (WOCDBR) \$690 Special Finishes* (WOCDSF) \$1,135 <i>MTI does not offer a brass body cable drain kit.</i></p> <p>Lift & Turn</p> <p>Drain Finishes – PVC Drain Kit Chrome (WOC) \$185 White (WOW) \$245 Brushed Nickel (WOBN) \$305</p>

<p>Toe Tap</p> <p>Round Overflow – PVC Drain Kit Chrome (WOTTC) \$380 Brushed Nickel (WOTTBN) \$385 Polished Nickel (WOTTPN) \$385 Special Finishes* (WOTT SF) \$1,145</p> <p>Round Overflow – Solid Brass Drain Chrome (WOTTSBC) \$810 Brushed Nickel (WOTTSBBN) \$810 Polished Nickel (WOTTSBPN) \$810</p>
--

[†] MTI has selected an oil-rubbed bronze finish that is compatible with Delta and many other manufacturers. To ensure best match, order as a Special Finish and submit a sample. CSA # MTDS-65

* Allow 2-4 weeks lead time for Special Finishes. Send sample for best match.

