

MOEN®

Specifications

DESCRIPTION

- Installation Spacer kit for rough in of 900-002 1-1/4" Flo by Moen smart water shutoff.

STANDARDS

- Certified to NSF 61/9 & 372
- Smart Home Water Security System third party certified by: IAPMO IGC-349-2017 and all applicable requirements referenced therein

WARRANTY

- Flo Technologies warrants that the product will be free from defects in materials and workmanship for a period of one (1) year from the date of delivery following the original retail purchase
- Visit www.support.meetflo.com for complete details and limitations

Installation Notes:

- Install product following the installation guide
- Must be installed on accessible main water supply line (cold water line) that is 1-1/4" diameter (can be installed on 1-1/2" diameter or smaller)
- Must be installed after water meter, water shut-off, and pressure regulating valve (if applicable)

Future Installation of 900-002 Requirements:

- Power supply and device must not be installed where the ambient temperature can exceed 140 deg F (60 deg C) or below 32 deg F (0 deg C)
- Requires electrical outlet (100-240VAC-50/60 Hz) with continuous power within 10 feet of device
- Requires WiFi network (WLAN connectivity/IEEE 802.11 bgn, 2.4 GHz range)
- Smartphone (iPhone or Android) with installed app required unless using local mode feature

For Well Pump System Installation:

- When installed on well or irrigation water service lines, the device should be placed after (downstream of) all treatment and filtration components to avoid debris interference. It should also be installed after the well pump and water storage tank. If it is necessary to install the 900-002 device prior to a water filtration system, a wye strainer with a 100 mesh or finer screen and blow-down port is required to catch any sediment or particles from the ground source or casing. The mesh screen in the strainer may require periodic maintenance.

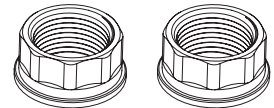


Flo by Moen™ 1-1/4" Installation Spacer Kit

Models: 930-005 NPT
930-006 Solder

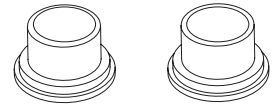


1-1/4" NPT



NPT Tailpieces (included with 930-005)

1-1/4" Solder



Solder Tailpieces (included with 930-006)

The clearance needed for the spacer and the future Flo by Moen device is as follows:

- 7-1/2" straight pipe run on inlet
- 4-1/2" straight pipe run on outlet
- 3-13/16" clearance on the sides
- 8" clearance on the top
- 3-3/16" clearance on the bottom

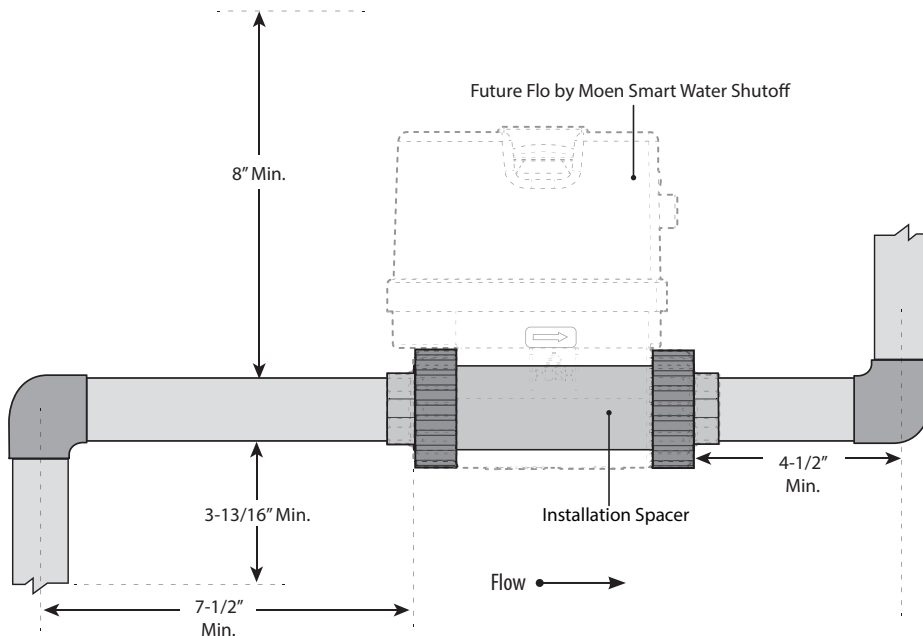
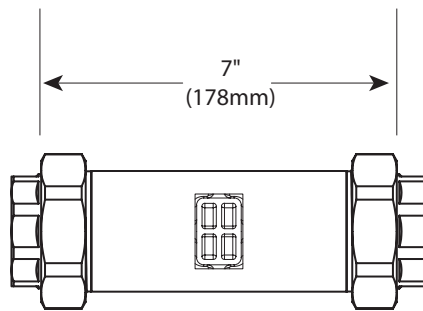
Measure using the spacer and tail pieces. Mark and cut the water main line using pipe cutters. Allow space for the installation spacer and both tailpieces. To reduce potential for pinching o-rings during installation, it is recommended to leave a clearance of 1/32" - 1/16" between the spacer and tailpieces.

Included with 930-005 product:

Union Nuts (x2), Threaded 1-1/4" NPT Tailpieces (x2), O-Rings (x2), Installation Spacer, and an extra packet of O-Rings (x2).

Included with 930-006 product:

Union Nuts (x2), 1-1/4" Solder Tailpieces (x2), O-Rings (x2), Installation Spacer, and an extra packet of O-Rings (x2).



CRITICAL DIMENSIONS

(DO NOT SCALE)