

1312

Floor Mount, Rear Outlet, Elongated Front, Flush Valve Toilet



Features

- Specifically designed for commercial and industrial applications
- Elongated front, floor mount, rear outlet
- 1.28 or 1.6 Gpf low water consumption (when using the proper flushometer)
- High performance, high efficiency (HET)
- 1-3/4" glazed trapway
- The Mansfield® Limited lifetime warranty
- Available in White





Elongated Front



Model 1312
Less flushometer
and supply

Components

Model #	Description	Codes/Standards
1312	Elongated front, rear outlet, flush valve toilet bowl. Less flush valve and supply.	 

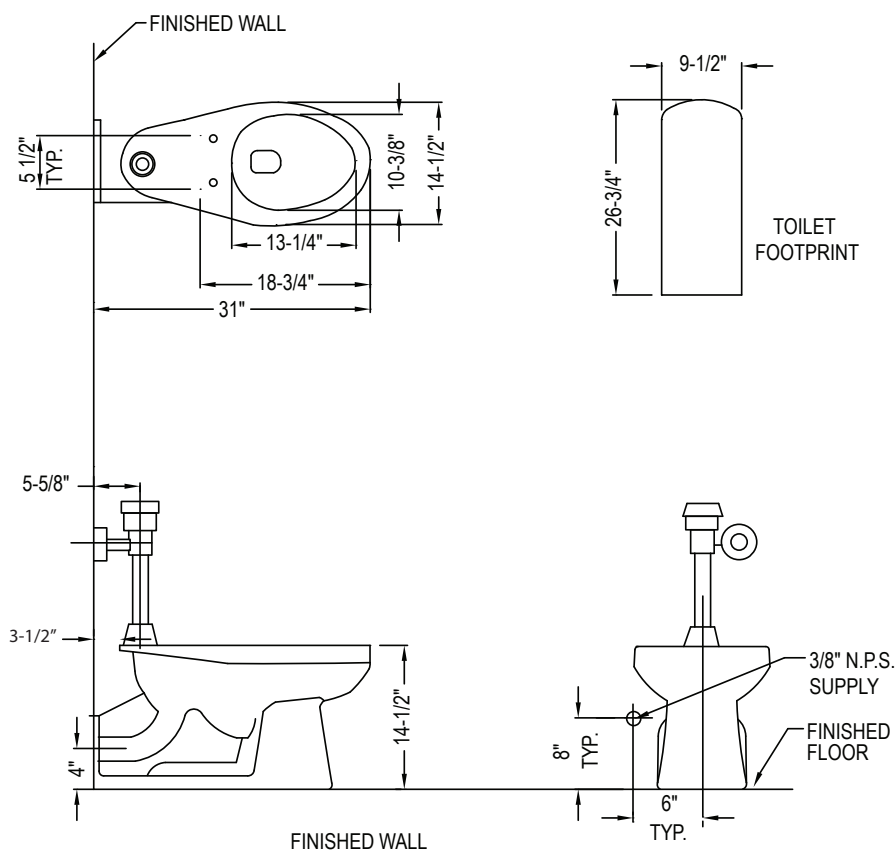


Specifications

Model #	Description	Codes/Standards
1312	Floor mount, elongated front, flush valve toilet	

Specification	Description	Specification	Description
Material	Vitreous China	Trap Diameter	1-3/4"
Water Pressure Range	20 to 80 PSI	Trap Seal	2-5/8"
Water Usage	1.28 or 1.6 Gpf / 4.84 or 6.05 Lpf	Rough-in	Rear Outlet
Water Surface Area	10-1/4" x 12-1/4"	Shipping Weight	Model 1312 - 61 lbs.
MaP Rating	1,000 grams	Warranty	Vitreous China - Limited Lifetime Tank Trim - Limited One Year

Technical Information



See our complete line of acrylic and vitreous china bathroom fixtures, plastic tank trim and plumbing products.

These dimensions are nominal and are subject to change without prior notice.

Fixture performance and specifications meet or exceed, ASME A112.19.2-2008/CSA B45.1-08 standards, and other state and local codes.

Engineered to dramatically meet or exceed all ANSI weight/load bearing requirements.

Meets or exceeds American Disabilities Act and ANSI A.117.1 requirements where installed so top of rim is 17" (432 mm) from the finished floor.



MADE IN USA