

# Classica

BY  
**minkaAire**<sup>®</sup>  
A Minka Group<sup>®</sup> Co.



INSTRUCTION MANUAL WARRANTY CERTIFICATE

**This product is protected by United States Federal and/or State Law, including Patent, Trademark and/or Copyright laws.  
Manual design and all elements of manual design are protected by U.S. Federal and/or State Law, including Patent, Trademark and/or Copyright laws.**



Minka-Aire® warrants to the original owner that this fan will be free from defects in material and workmanship for one year from the date of purchase, excluding the motor. Minka-Aire® warrants to the original owner that the motor in this fan shall be free from defects in material and workmanship for as long as the original purchaser owns the fan, and it remains in the original installation.

This is a limited warranty. Minka-Aire®'s only obligation under this limited warranty is to replace or repair, or refund the purchase price, in Minka-Aire®'s sole discretion without charge to the original owner, of the fan once Minka-Aire® confirms that the fan has a defect covered by this limited

Call our customer service department at 1-800-307-3267 to obtain the name of the Minka-Aire® authorized dealer closest to your location, or contact us through our web site, [www.minkagroup.net](http://www.minkagroup.net) and write to: Ask Mr.Minka if you have any questions or require further assistance.

To obtain warranty service, the owner should return the fan along with proof of purchase to a Minka-Aire® authorized dealer. The Minka-Aire® authorized dealer shall then, at its sole discretion: repair the fan, replace the fan, refund the purchase price less the amount directly attributable to the consumer's prior usage of the fan, or if necessary instruct the consumer to contact Minka-Aire® directly for warranty service. Minka-Aire® will be responsible for the cost of any repair, or replacement for any warranty service provided by a Minka-Aire® authorized dealer for product under warranty.

You may also at your preference obtain warranty service by returning the fan directly to Minka-Aire® along with proof of purchase, your name and return address, and a description of the claimed product defect. Pack carefully; damage sustained in return transit to Minka-Aire® will be the original owner's responsibility. Original owner shall be responsible to pay all shipping charges. To obtain warranty service, you may return a fan that proves to be defective during the warranty period to the following address:

Minka-Aire®-Warranty Service, 1151W. Bradford Court, Corona, CA 92882

This warranty shall not apply to fans which have been damaged in any way, including improper installation, damage as result of the removal of the fan from the original installation, or damage in shipping. This warranty shall not apply to fans which have been subjected to use for which the fan was not designed. The purchaser of the fan shall be responsible for any cost of removing the old fan, installing a new fan, or any other costs.

This limited warranty is in lieu of all other express warranties. This limited warranty excludes all incidental and consequential damages, and Minka-Aire® shall not under any circumstances be liable for incidental or consequential damages. Some states do not allow the exclusion of or limitation of incidental or consequential damages, so the foregoing limitation or exclusion may not apply to you.

This warranty gives you specific legal rights, and you may also have other rights which vary from state to state. We encourage you to promptly complete and return the enclosed warranty registration card. However, return of the warranty registration card is not a condition of this warranty.

Date Purchased \_\_\_\_\_

Store Purchased \_\_\_\_\_

Model No. F659

Serial No. \_\_\_\_\_

# CONTENTS

SAFETY RULES .....	1	BLADE INSTALLATION.....	7
PACKAGE CONTENTS.....	2	INSTALLING THE SWITCH BOX PLATE&SWITCH CUP.....	8
INSTALLING THE FAN.....	3	OPERATING YOUR FAN .....	9
HANGING THE FAN.....	4	CARE OF YOUR FAN.....	10
ELECTRICAL CONNECTIONS.....	5	TROUBLESHOOTING.....	11
FINISHING THE INSTALLATION.....	6	SPECIFICATIONS.....	12



1151 W. Bradford Court, Corona, CA 92882 • For Customer Assistance Call: 1-800-307-3267



# 1

## ***SAFETY RULES***

1. Before you begin installing the fan, shut power off the circuit breaker of the fuse box.
2. Be cautious! Read all instructions and safety information before installing your new fan. Review accompanying assembly diagrams.
3. Make sure that all electrical connections comply with local codes, ordinance, or National Electrical Codes. Hire a qualified electrician or consult a do-it-yourself wiring handbook if you are unfamiliar with installing electrical wiring.
4. Make sure the installation site you choose allows the fan blades to rotate without any obstructions. Allow a minimum clearance of 7 feet from the floor and 18 inches from the top of the blades to the wall.
5. If you are mounting the fan to a ceiling fan outlet box, use a U.L. Listed metal octagonal outlet box marked "Acceptable For Fan Support". Secure the box directly to the building structure. The outlet box and its support must be able to support the moving weight of the fan (at least 50 pounds). Do not use a plastic box.
6. Caution: To reduce the risk of injury use only the screws provided with the outlet box in conjunction with the lock washers provided with the fan.
7. If you are mounting the fan to a joist, make sure it is able to support the moving weight of the fan (at least 50 pounds).
8. After you install the fan, make sure that all mounting components are secured to prevent the fan from falling.
9. Do not insert anything into the fan blades while the fan is operating.
10. To operate the reverse function on this fan, press the reverse button while the fan is running.

**NOTE:** The important safeguards and instructions appearing in this manual are not meant to cover all possible conditions and situations that may occur. It must be understood that common sense, caution and care are factors which can not be built into this product. These factors must be supplied by the person(s) installing, caring for and operating the unit.

**NOTE: READ AND SAVE ALL INSTRUCTIONS!**

**WARNING**

**TO REDUCE THE RISK OF FIRE, ELECTRIC SHOCK OR OTHER PERSONAL INJURY, MOUNT FAN ONLY TO A U.L LISTED OUTLET BOX OR SUPPORTING SYSTEM MARKED ACCEPTABLE FOR FAN SUPPORT AND USE MOUNTING SCREWS PROVIDED WITH THE OUTLET BOX IN CONJUNCTION WITH THE LOCK WASHERS PROVIDED WITH THE FAN. MOST OUTLET BOXS COMMONLY USED FOR FAN SUPPORT OF LIGHTING FIXTURES ARE NOT ACCEPTABLE FOR FAN SUPPORT AND NEED TO BE REPLACED. CONSULT A QUALIFIDE ELECTRICIAN IF IN DOUBT.**

**TO REDUCE THE RISK OF PERSONAL INJURY, DO NOT BEND THE BLADE HOLDERS WHILE INSTALLING BALANCING THE BLADES OR CLEANING THE FAN. DO NOT INSERT FOREIGN OBJECTS BETWEEN ROTATING FAN BLADES.**

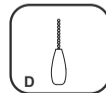
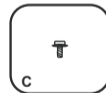
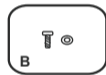
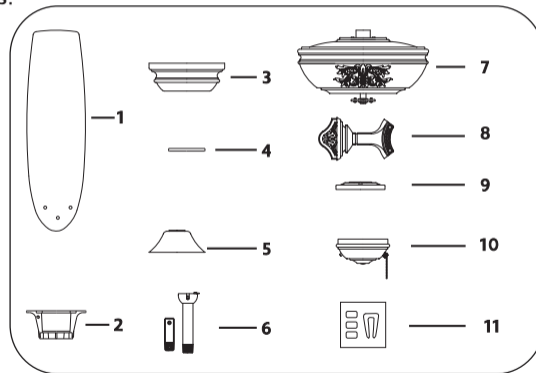
## 2

**PACKAGE CONTENTS**

Unpack your fan and check the contents. You should have the following items:

1. Fan blades(5)
2. Hanger bracket
3. Canopy
4. Canopy cover
5. Coupling cover
6. Standard downrod assembly(6")  
Minimum-length downrod(3.5")
7. Fan motor/housing assembly
8. Blade holders (5)
9. Switch box plate
10. Switch cup  
(Pre-attached with switch box plate)
11. Balancing kit

- A. Mounting hardware:**  
Wire nuts(3)  
#8\*1" Machine screws (2)  
ϕ 5\*38 Wood screws (2)  
D5\*D10, T=1 Star washers (2)  
D5\*D8, T=1 Spring washers (2)
- B. Blade attachment hardware:**  
G3/16"-24\*1/4mm Screws(16)  
D5\*D12, T=1 Paper washers (16)
- C. Blade holder attachment hardware:**  
G1/4"-20\*1/2+SP screws(11)
- D. Pull chain fobs (1)**





# INSTALLING THE FAN

3

Tools Required: Philips screw driver, slotted screw driver, step-ladder, wire cutters, electrical tape.

## MOUNTING OPTIONS

If there isn't an existing mounting box, then read the following instructions. Disconnect the power by removing fuses or turning off circuit breakers.

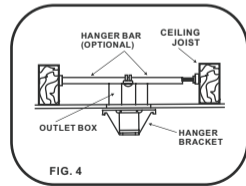
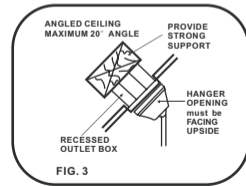
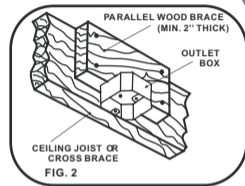
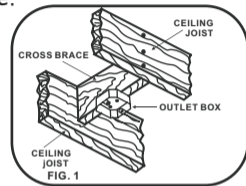
Secure the outlet box directly to the building structure. Use appropriate fasteners and building materials. The outlet box and its support must be able to fully support the moving weight of the fan (at least 50 lbs.). Use a UL listed metal outlet box.

Do not use a plastic outlet box.

Figure 1, 2 and 3 are examples of different ways to mount the outlet box.

Note: You may need a longer downrod to maintain proper blade clearance when installing on a steep, sloped ceiling. Longer downrods are available from your Minka-Aire® dealer.

To hang your fan where there is an existing fixture but no ceiling joist, you may need to install a hanger bar as shown in Fig. 4 (available at your Minka Aire® dealer or local hardware store)



# 4

## **HANGING THE FAN**

**WARNING:** All of the parts, hardware and components such as the hanger bracket and hanger ball have been provided for your safety and the proper installation of your new ceiling fan. The use of other parts, hardware or components not supplied by Minka Aire® with the fan will void the Minka Aire® Warranty.

**REMEMBER** to turn off the power. Follow the steps below to hang your fan properly:

**Step 1.** Secure the hanger bracket to the ceiling outlet box using screws and washers included with mounting hardware.(Fig.5)

**Step 2.** Loosen the two set screws and remove the hitch pin and lock pin from the top coupling of the motor assembly.(Fig 6)

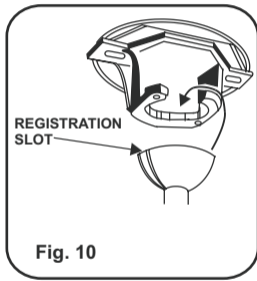
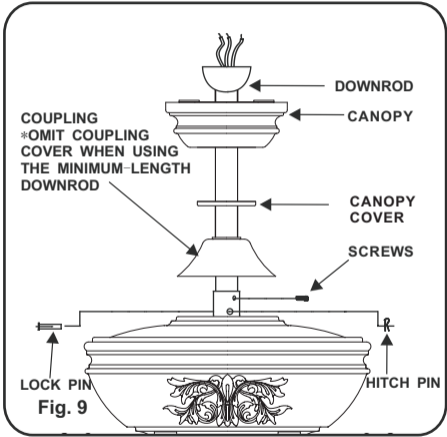
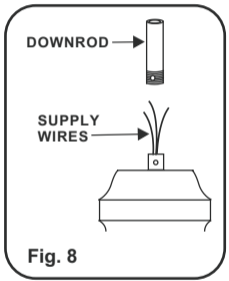
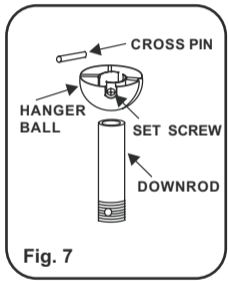
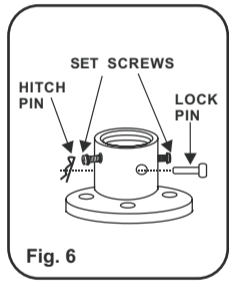
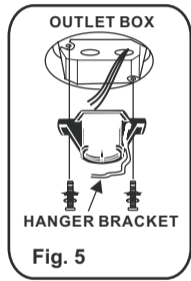
**Step 3.** Remove hanger ball from downrod assembly by loosening set screw, removing the cross pin, and sliding ball off rod.(Fig 7)

**Step 4.** Carefully feed fan wires up through the downrod(Fig 8). Thread the rod into the coupling, next line up holes and replace lock pin and hitch pin. Tighten set screws.

**Step 5.** Slip coupling cover, canopy cover, and canopy onto downrod (Fig.9). Carefully reinstall hanger ball onto rod being sure that cross pin is in the correct position, set screws are tightened and wires are not twisted.

**NOTE: DO NOT INSTALL THE COUPLING COVER IF YOU PLAN TO USE THE MINIMUM LENGTH DOWNROD.**

**Step 6.** Now lift motor assembly into position and place hanger ball into hanger bracket. Rotate until the check groove has dropped into the registration slot and seats firmly.(Fig 10) Rod should not rotate if this is done correctly.



## 5

**ELECTRICAL CONNECTIONS**

REMEMBER to shut the power off at the circuit breaker or fuse box.

Follow the steps below to connect the fan to your house supply wires. Use the wire nuts supplied with your fan. Secure the wire nuts by wrapping the connection with electrical tape.

Step 1. Connect the black (hot) wire from the ceiling to the black and the blue wires from the fan. Connect the white (Neutral) wire from the ceiling to the white wire from the fan. (Fig 11)

Step 2. If your outlet has a ground wire (Green or Bare Copper) connect the fan ground wires ((from hanger ball and hanger bracket) to it; otherwise connect the fan ground wire wires from the hanger ball and hanger bracket together. (Fig. 11)

Step 3. Figure 12 & 13 illustrate the wiring connections using optional wall unit. (Available at your Minka-Aire® Retailer.)

NOTE: If a light kit is not included with your fan, one can be purchased at your Minka-Aire® Retailer.

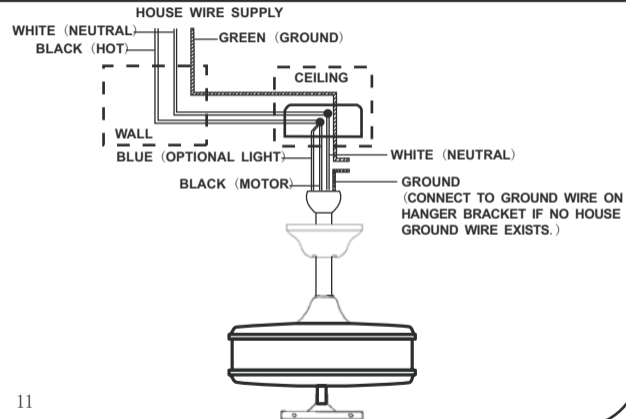
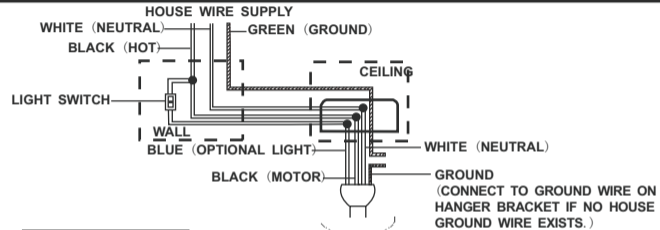
**FAN CONTROLLED BY PULL CHAIN, LIGHT KIT CONTROLLED BY PULL CHAIN**

Fig. 11

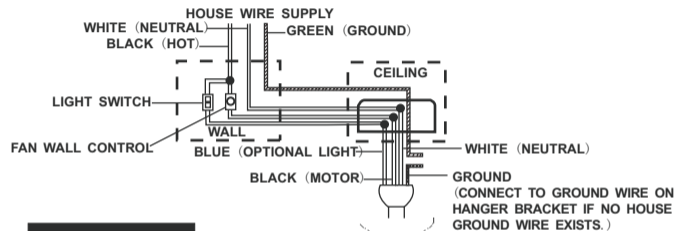
FAN CONTROLLED BY PULL CHAIN, LIGHT KIT CONTROLLED BY WALL SWITCH.



**WIRING  
OPTION 1**

Fig. 12

FAN CONTROLLED BY WALL CONTROL, LIGHT KIT CONTROLLED BY LIGHT SWITCH.



**WIRING  
OPTION 2**

NOTE: SOME WALL UNITS  
INCORPORATE BOTH LIGHT  
SWITCH AND FAN WALL  
CONTROL IN ONE HOUSING.

Fig. 13

## ***FINISHING THE INSTALLATION***

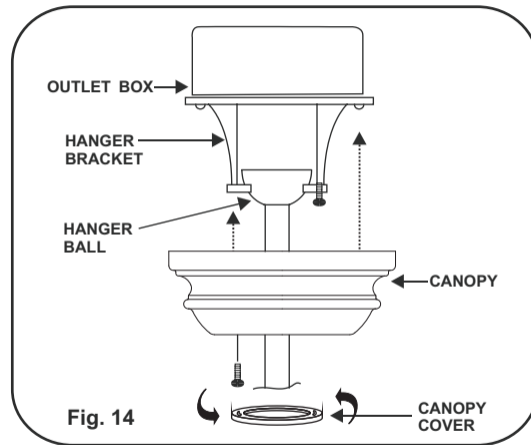
Step 1. Tuck connections neatly into ceiling outlet box.

Step 2. Remove one screw from the hanger bracket and loosen the other screw around 1/4".

Step 3. Align the canopy up to ceiling and over the loose screw. Place the canopy into key hole and rotate canopy clockwise. (Figure 14)

Step 4. Secure the canopy by use previous removed screw.

Step 5. Place the canopy cover to the canopy and rotate canopy cover clockwise until it is locked into right position. (Figure 14)



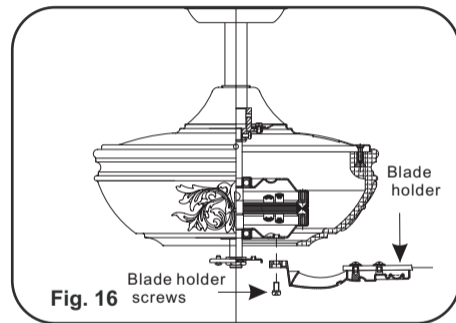
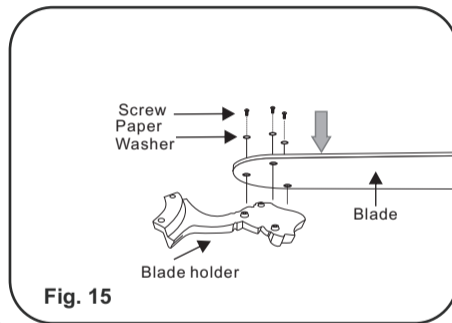
## 7

**BLADE INSTALLATION**

THE FOLLOWING OPERATION MUST BE ACCOMPLISHED BEFORE INSTALLING THE SWITCH CUP.

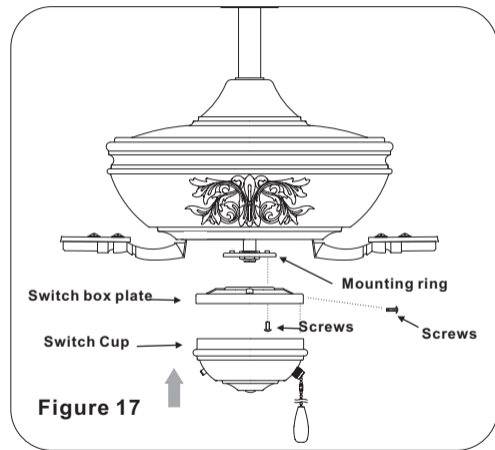
Step 1. Attach the fan blade to the blade holder using the screws and paper washers provided. Tighten screws securely. Repeat process for remaining blades.(Fig.15)

Step 2. Remove the rubber stops from motor. Rotate the motor so that the screw holes in motor are aligned with the holes in blade holder and secure with proper screws. Repeat process for the other blade holders.(Fig. 16)



## ***INSTALLING THE SWITCH BOX PLATE & SWITCH CUP***

- Step1. Remove the switch box plate from the switch cup by removing three screws from the rim of the switch box plate and reserve the screws.
- Step2. Remove 1 of 3 screws from the mounting ring and loosen the other 2 screws. (Do not remove.) (Fig.17)
- Step3. Place the key holes from the switch box plate over the 2 screws previously loosened from the mounting ring, turn switch box plate until it locks in place at the narrow section of the key holes. Secure by tightening the 2 screws previously loosened and the one previously removed. (Fig.17)
- Step4. Align the holes in the switch cup with the holes in the switch box plate. Tighten the three screws removed in step1. (Fig. 17)





# 9

## ***OPERATING YOUR FAN***

Restore power to ceiling fan and test for proper operation.

Speed settings for warm or cool weather depend on factors such as the room size, ceiling height, number of fans, etc.

The Reverse switch is located on the switch cup. Slide the switch to the Left for warm weather operation. Slide the switch to the Right for cool weather operation.

**NOTE:** Wait for fan to stop before changing the setting of the slide switch.

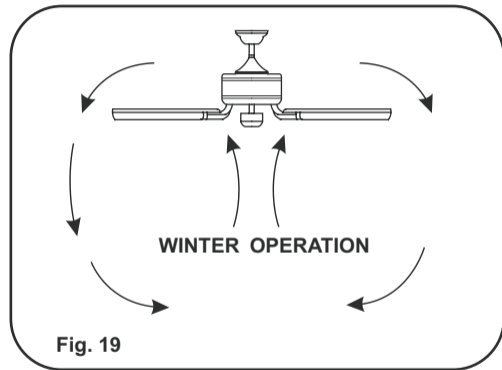
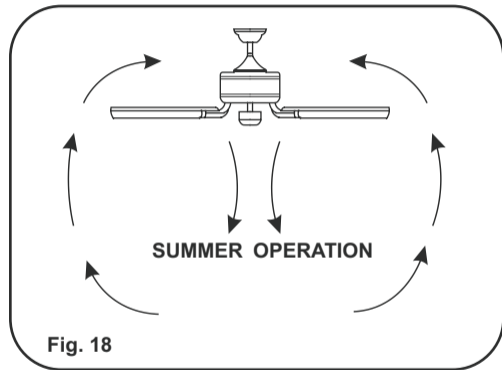
**Warm weather - (Forward)**

A downward airflow creates a cooling effect as shown in Fig. 18. This allows you to set your air conditioner on a warmer setting without affecting your comfort.

**Cool weather - (Reverse)**

An upward airflow moves warm air off the ceiling area as shown in Fig. 19. This allows you to set your heating unit on a cooler setting without affecting your comfort.

The pull chain controls the fan speed as follows: 1st pull - High, 2nd pull - Med, 3rd pull - Low and 4th pull - Off.



# 10

## **CARE OF YOUR FAN**

Here are some suggestions to help maintain your fan.

1. Because of the fan's natural movement some connections may become loose. Check the support connections, brackets and blade attachment twice a year. Make sure they are secure. (It is not necessary to remove fan from the ceiling).

2. Clean your fan periodically to help maintain its new appearance over the years. Use only a soft brush or lint free cloth to avoid scratching the finish. Plated finishes are sealed with lacquer to minimize discoloration or tarnishing.

Do not use water when cleaning, this could damage the motor, wood blades or possibly cause an electrical shock.

3. Use a lint free lightly damp cloth or duster to remove dust from the blades.

4. There is no need to oil your fan. The motor has permanently lubricated bearings.

5. If your fan is provided with glass shades, clean with lukewarm soapy water and a soft cloth or sponge. **DO NOT IMMERSE GLASS SHADES IN HOT WATER. DO NOT PUT GLASS SHADES INTO AN AUTOMATIC DISHWASHER.**

### **WARNING**

**MAKE SURE THE POWER IS OFF AT THE ELECTRICAL PANEL BOX BEFORE YOU ATTEMPT ANY REPAIRS. REFER TO THE SECTION "ELECTRICAL CONNECTIONS".**

## **SYMPTOM**

Fan will not start

## **SOLUTION**

- Check to make sure the wall switch is turned on.
- Check circuit fuses or breakers.
- Caution! Make sure the power is turned off before performing the following steps.

## **SYMPTOM**

Fan Sounds Noisy

## **SOLUTION**

- Allow a 24 - hour "break in" period. Most noises associated with a new fan will go away during this time.
- Make sure the screws that attach the fan blade holder to the motor hub is tight.
- Make sure outlet box is secured to building structure, if necessary use the wood screws provided to further secure outlet box to joist.
- Make sure hanger bracket is secure to the outlet box, screws are tight.

## SYMPTOM

Fan Wobble

## SOLUTION

- NOTE: All blade sets are grouped by weight. Because wood and plastic blades vary in density, the fan may wobble even though blades are matched.
- Make sure outlet box is secured to building structure, if necessary use the wood screws provided to further secure outlet box to joist.
- Make sure hanger bracket is secure to the outlet box, screws are tight.
- Use the balancing kit provided if the wobble is excessive (follow instructions included with balancing kit)

# ***SPECIFICATIONS***

12

These are typical readings. Your actual fan may vary. They do not include amps and wattage used by the light (s).

For any additional information about your Minka Aire® Ceiling fan, please write to:

Fan Size	Speed	Volts	Amps	Watts	RPM	CFM	N.W.	G.W.	C.F.
54"	Low	120							
	Medium	120					kgs	kgs	
	High	120							



1151 W. Bradford Court, Corona, CA 92882 • For Customer Assistance Call: 1-800-307-3267



# PERFORMANCE AND ENERGY INFORMATION

*For any additional information about your  
Minka Aire® Ceiling fan, please write to:*

**minkaAire**<sup>®</sup>  
A Minka Group® Co.

1151 W. Bradford Court, Corona, CA 92882

• For Customer Assistance Call: 1-800-307-3267

FAN SPEED	AIRFLOW (CFM)*	POWER USE (watts)	AIRFLOW EFFICIENCY (CFM/watt)
Low			
Medium			
High			

**Ceiling fan airflow is measured in cubic feet per minute (CFM).  
Power use is measured in watts. To maximize energy savings:**

- Choose a fan with high airflow efficiency (CFM/watt).
- Use ENERGY STAR<sup>®</sup>-labeled lighting in your fan.
- Remember to switch off your fan when you leave the room.

\* Measured according  
to the ENERGY STAR<sup>®</sup>  
approved Solid State  
test method

