

INSTALLATION INSTRUCTIONS

Item#N2921-1-77 (Rev. 11/25/2015)

READ AND SAVE THESE INSTRUCTIONS

WARNING! SHUT POWER OFF AT FUSE OR CIRCUIT BREAKER.
AVERTISSEMENT! COUPER LE COURANT AU NIVEAU DES FUSIBLES OU DU DISJONCTEUR.

ASSEMBLING THE FIXTURE (Fig. 1)

1. Shut off power at the circuit breaker and remove old fixture from wall, including the crossbar.
2. Carefully unpack your new fixture and lay out all the parts on a clear area. Take care not to lose any small parts necessary for installation.
3. Attach the Crossbar (A) to the Outlet box using the two Screws (B). The side of the Crossbar marked "GND" must fact out.
4. Thread the Nipple (C) part way into the center hole of the crossbar.

CONNECTING THE WIRES (Fig. 2)

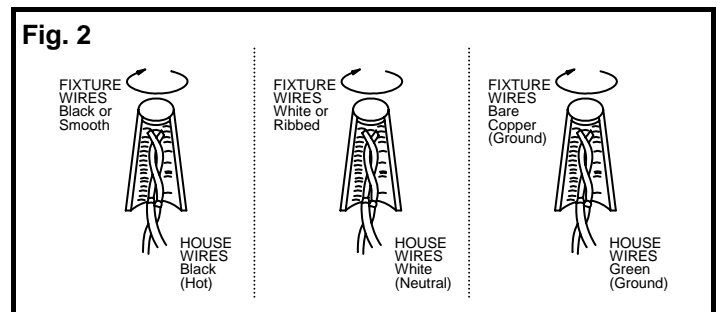
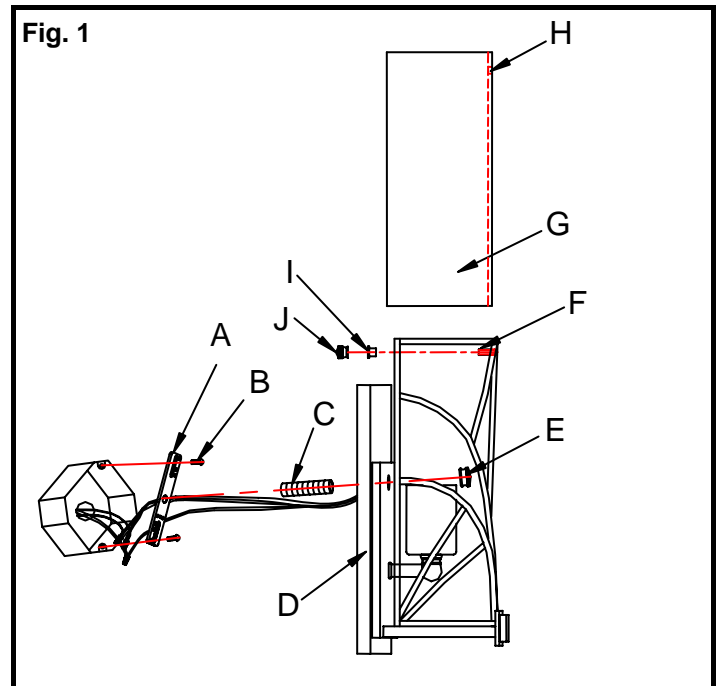
5. At this point, connect the electrical wires as shown in Fig. 2, making sure that all wire connectors are secured. If your outlet has a ground wire (green or bare copper), connect the fixture's Ground Wire to it. Otherwise, connect the fixture's Ground Wire directly to the mounting plate using the Green Screw provided. After wires are connected, tuck them carefully into the outlet box.

FINISH THE INSTALLATION (Fig.1)

6. Place the Fixture body (D) over the Nipple (C) and secure them using Finial (E).
7. Install the light bulb in accordance with the fixture's specifications. **(DO NOT EXCEED THE MAXIMUM WATTAGE RATING!). (NE PAS DEPASSER LA PUISSANCE NOMINALE MAXIMALE!)**
8. Finish mounting Glass Panel (G) by aligning hole (H) on glass panel to Stud (F) on metal frame of fixture body, then place Bushing (I) over Stud and secure them with Cap nut (J).

Your installation is now complete. Return power to the outlet box and test the fixture.

Note: Illustration (Fig. 1) on this manual is for installation purposes only. It may or may not be identical to the fixture purchased.



© Minka Lighting, Inc.

This product is protected by United States Federal and/or State Law, including Patent and/or Copyright laws."

