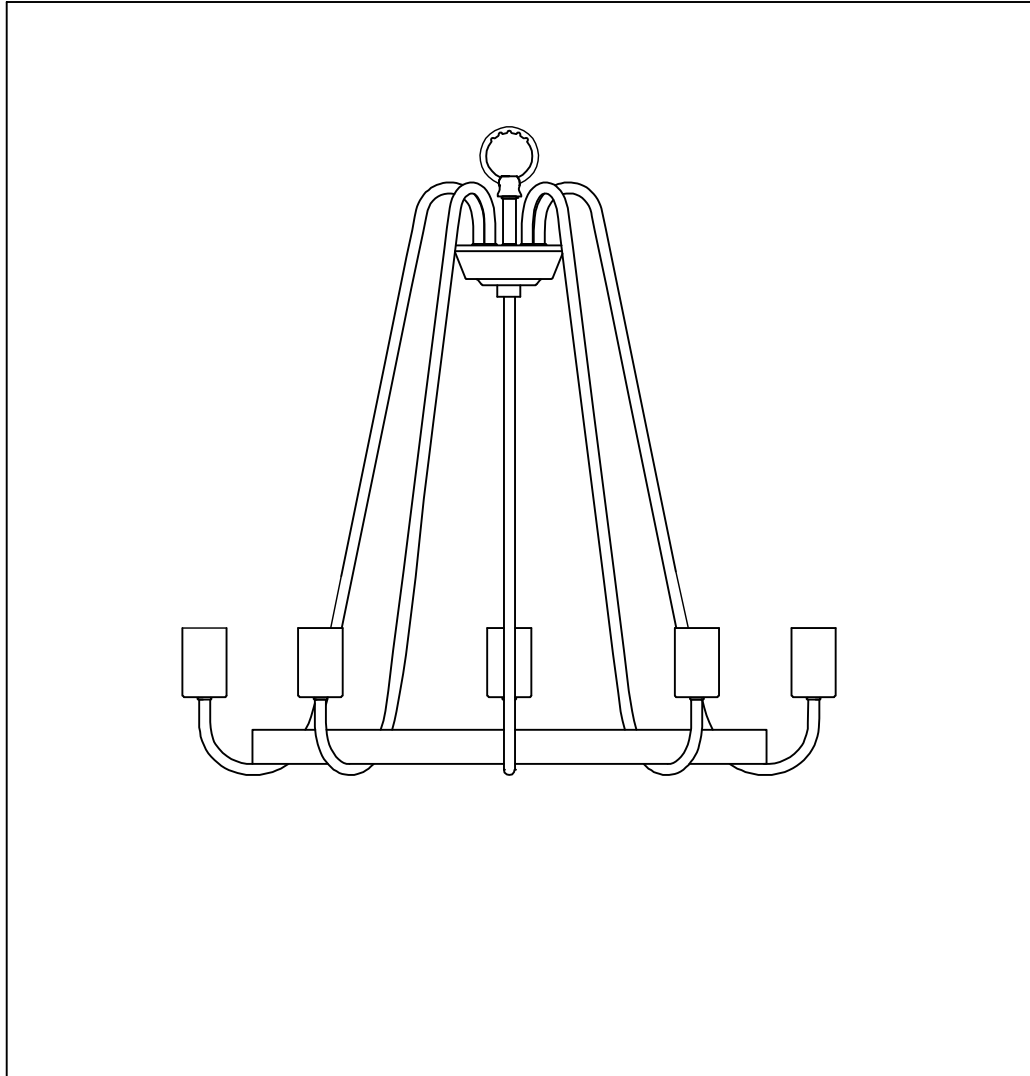




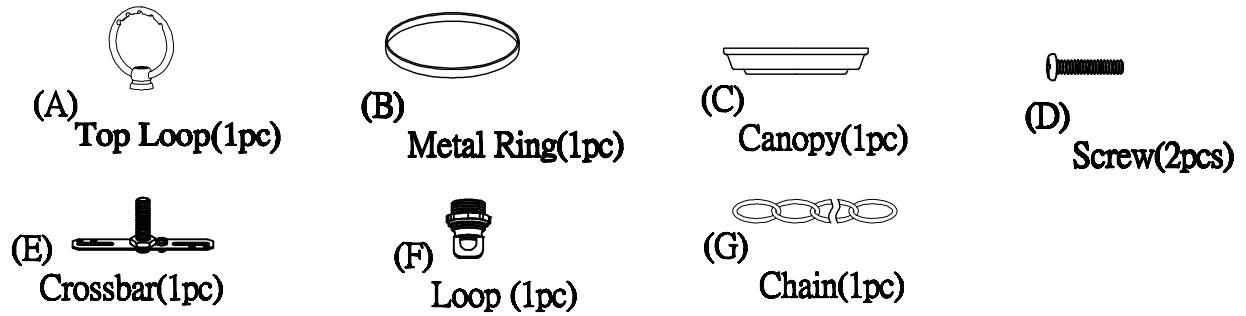
**PRODUCT NAME:** Haven 5-Light chandelier  
**ITEM NUMBER:** 11735

**Please consult your electrician for hanging fixture and wiring.**

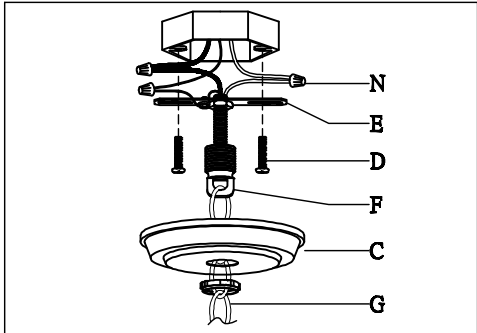
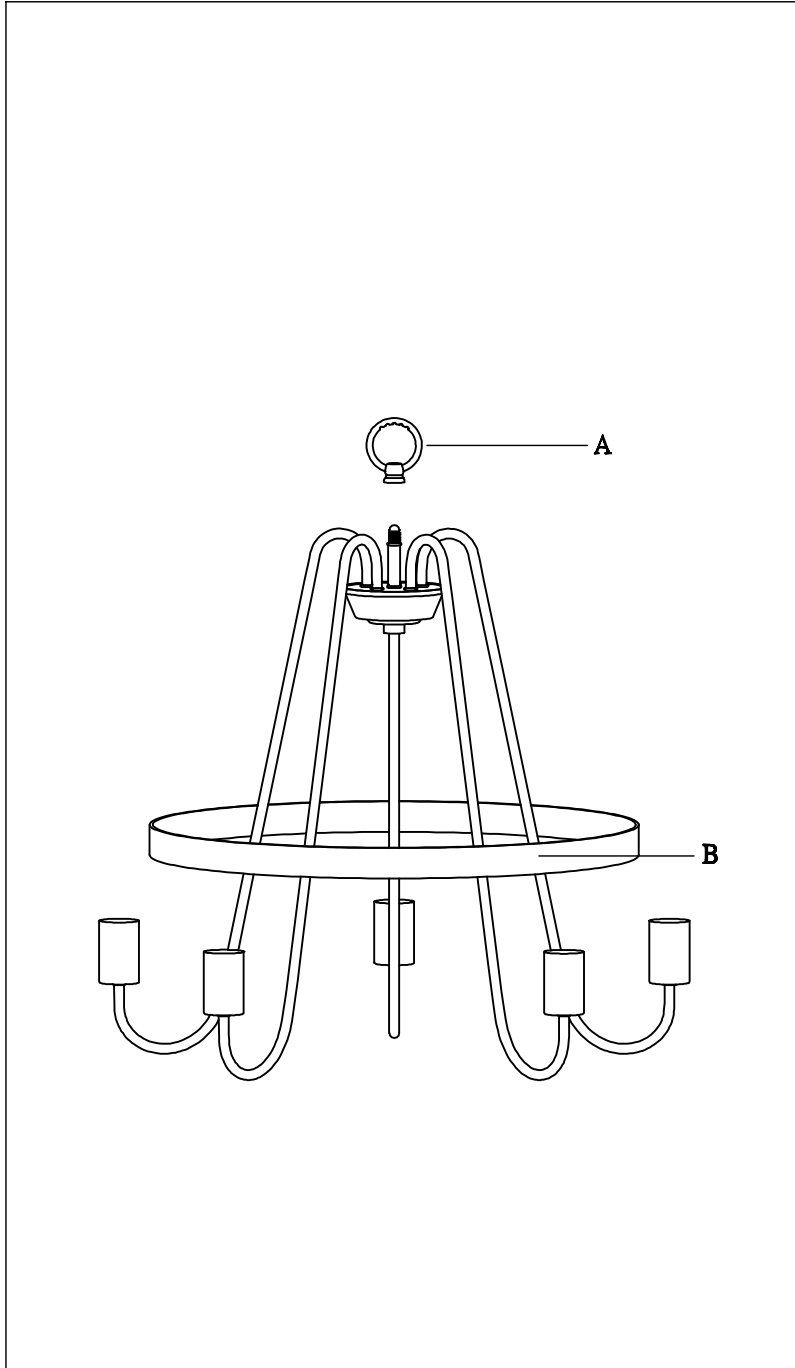


**Bulb(not included): 5-60 Watt Medium Base Bulbs**

**IMPORTANT:** Turn off the power at the main fuse or circuit breaker box before starting installation

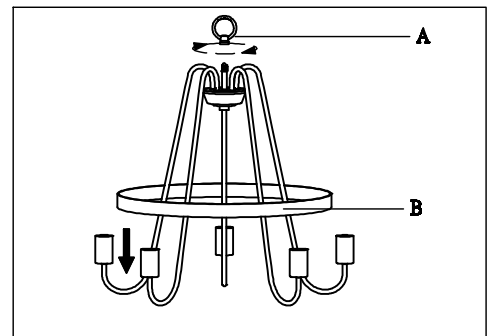


**Locate all hardware & components before discarding packaging**



1.)

1. Remove mounting bracket from fixture and install to electrical box.
2. Install top loop (A) to center stem and attach appropriate amount of chain to loop to achieve desired mounting height. Thread wire through every 3rd loop of chain.
3. Remove ring from loop (F) and slide down chain (G). Place canopy (C) onto chain and let slide to top of fixture. Install nipple and cross bar (E) into top of chain loop (F).
4. Wire fixture to wires in outlet box. Copper wire is for Ground. Pull canopy through screw ring up chain to ceiling and tighten securely.



2.)

Attach top loop (A) and run ring (B) over the arms. Open the arms and allow for the ring to sit evenly over them.

**Cleaning & Care:**

Clean with soft cloth and a mild detergent.  
Do not use abrasive cleaner.