

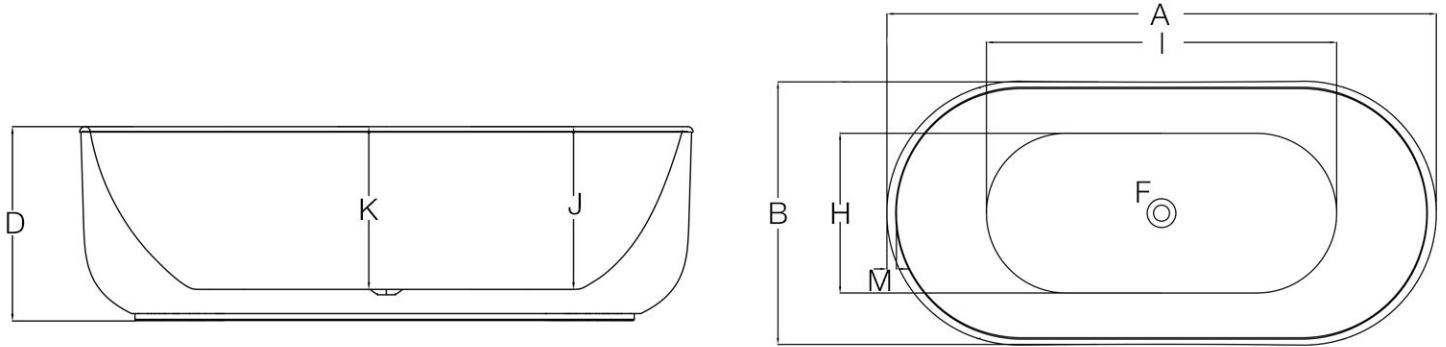


MAIDSTONE

www.MaidstoneSupply.com

Double Ended Freestanding Tub Part No: 220D52

TECHNICAL INFORMATION



DIMENSIONS (INCHES)

	A	B	C	D	E	F	G	H	I	J	K
59	59	31 $\frac{1}{2}$	-	23 $\frac{1}{2}$	-	2	-	19 $\frac{3}{10}$	35 $\frac{1}{2}$	18	18 $\frac{1}{2}$
67	67	31 $\frac{1}{2}$	-	23 $\frac{1}{2}$	-	2	-	19 $\frac{3}{10}$	43 $\frac{3}{10}$	18	18 $\frac{1}{2}$

	59	67
EMPTY (LB)	88	99
FILLED (LB)	530	649
CAPACITY (GAL)	53	66
WATER DEPTH (IN)	16	16

Approximate Measurements

Contact Maidstone for additional information and specifications. For complete warranty information and a list of dealers visit www.MaidstoneSupply.com. All products and specifications are subject to change without notice. Maidstone is not responsible for typographical and/or dimensional errors. Typographical errors are subject to correction.

Note: Rough-in dimensions may vary +/- 1/2" and are subject to change. No responsibility is assumed by Maidstone.