

# ASSEMBLING & INSTALLATION INSTRUCTIONS

The drawing shown may not exactly match the product enclosed.  
However, the installation instructions do apply to this product.

49738

- ◆ **WARNING! SHUT POWER OFF AT FUSE OR CIRCUIT BREAKER.**
- ◆ **ATTENTION! COUPER LE COURANT AU FUSIBLE OU UN DISJONCTEUR.**

## ASSEMBLING THE FIXTURE (Fig.2).

1. Determine the desired hanging height and thread rods (F.E .D) to lamp body (G). Feed the wires carefully through each rod during assembling.
2. Attach the canopy (C), the metal plates (L) with the washer (B) and the hex nut (A) to the top of the rod (D), then lock the canopy (C) with the hex nut (A).
3. Install the light bulbs (Not included) in accordance with the fixture specifications.  
**NOTE: DO NOT EXCEED THE SPECIFIED WATTAGE!**

## HANGING THE FIXTURE (Fig.1)

4. Shut off the power at the circuit breaker and remove old fixture from ceiling, including the old single bar.
5. Carefully unpack new fixture and lay all the parts on a clear surface.
6. Attach the crossbar (H) to the junction box using screws (J). The side of the crossbar marked "GND" must face out.  
**The junction box is not included.**
7. With the help of another person to hold the weight of the light fixture, attach the hook (M) of the safety cables onto the crossbar (H). Now the lighting fixture is supported by the steel wire.

## CONNECTING THE WIRES (Fig.3)

8. Take the black wire from the ceiling junction box and the smooth wire leg from the fixture and twist bare ends together. Twist wire connector onto end of wire until snug.
9. Repeat same process with white junction box wire and ribbed wire leg of fixture wire. NOTE: Twist wires together in the same direction you twist the wire connector onto wires.
10. If your junction box has a grounding wire (green or bare copper), attach this wire and the bare copper wire from the fixture together as step 1. If junction box has no ground wire, attach the bare copper fixture wire to the green ground screw on the single bar.
11. Raise the Lamp Body onto the ceiling, aligning the pipe thread (K) with the mounting holes on the canopy (C). Lock it securely with the Ball Nut (I).

**Your installation is now complete. Return power to the junction box and test the fixture.**

FIG.2

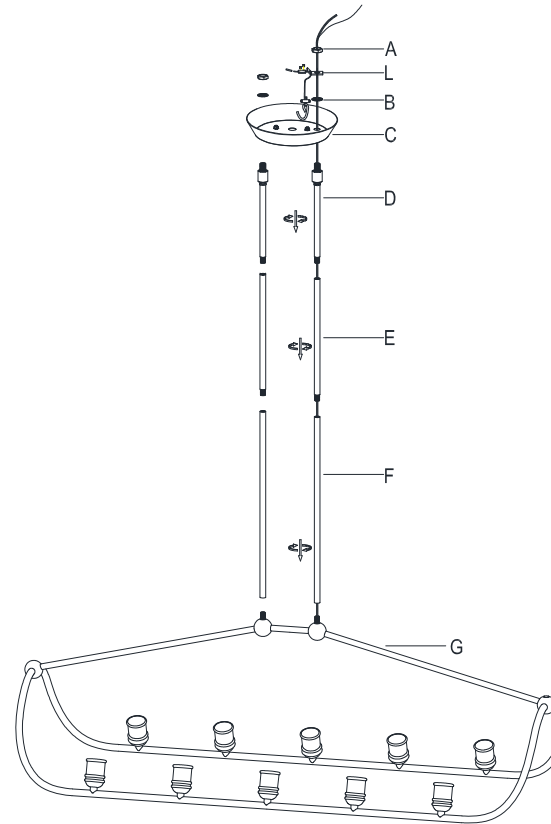


FIG.1

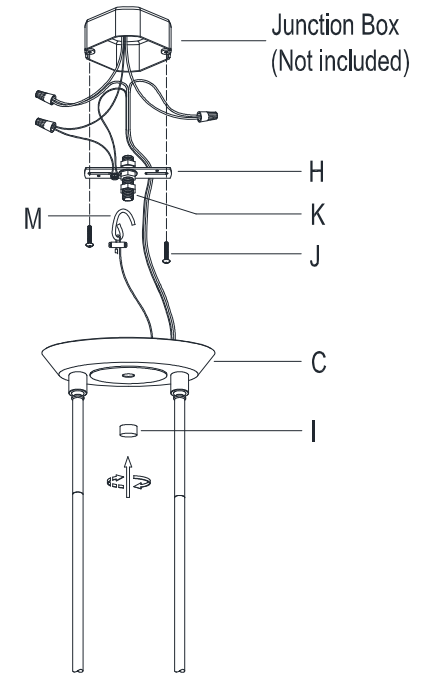
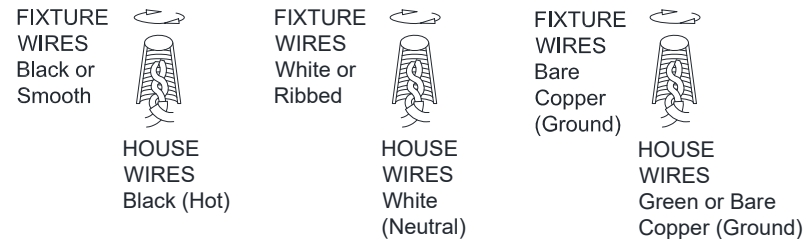


FIG.3



Thank you for purchasing a **LIVEX** product.  
Need assistance with parts or assembly? Please call customer service at: **800-761-8056**  
Or visit us on-line at: [WWW.LIVEXLIGHTING.COM](http://WWW.LIVEXLIGHTING.COM)