

INSTALLATION INSTRUCTIONS

Item# P197

READ AND SAVE THESE INSTRUCTIONS

WARNING! SHUT POWER OFF AT FUSE OR CIRCUIT BREAKER BEFORE INSTALLATION
AVERTISSEMENT ! COUPER LE COURANT AUNIVEAU DES FUSIBLES OU DU DISJONCTEUR

HANGING THE FIXTURE (Fig. 1)

1. Shut off the power at the circuit breaker box (avertissement! couper le courant au niveau des fusibles ou du disjoncteur) and remove the old fixture, including the mounting hardware..
2. Carefully remove the fixture from the carton and check that all parts are included as shown in the illustration.

SUGGESTED INSTALLATION (Fig. 2)

3. Attach the mounting plate (A) (Part#LTG BKT 10) to the junction box using mounting screws (B) (Size:8-32*1/2"L) as illustrated in (Fig. 2).
4. Determine the desired hanging height and thread rods F1(Part#W30-1-84), F2(Part#W30-1-84), F3(Part#W30-H-84) to nipple (G). Carefully pass the wires through each rod during assembly.
5. Place canopy (C) over rods (F) and thread hanger ball (E) to rod (F). Please remove the nipple if installing with one 6" rod only.
6. While holding the fixture body, install the fixture into the mounting plate (A) by tilting at a slight angle so that the hanger ball (E) slips into the mounting plate (A) as shown. Align the notch in the hanger ball (E) to the tab on the mounting plate (A) to prevent the fixture from turning.

CONNECTING THE WIRES (Fig. 3)

7. At this point, connect the electrical wire as shown in figure 3, making sure that all wire connectors are secured. If your outlet has a ground wire (green or bare copper), connect the ground wire from the hanger ball and mounting plate to it. Otherwise, connect the ground wire from hanger ball directly to the mounting plate ground wire and secure with wire connectors provided.
8. After the wires are connected, tuck them carefully into the ceiling junction box, then place canopy (C) over the mounting plate (A) and secure with screws (D).

COMPLETING THE INSTALLATION (Fig. 1)

9. Install the light bulbs (4*100W A19) (not included) in accordance with the fixture's specification **(DO NOT EXCEED THE MAXIMUM WATTAGE RATING!)** (**NE PAS DEPASSER LA PUISSNCE NOMINALE MAXIMALE!**)
10. Install tube (P) into nipple (N). Align gasket (Q), Diffuser (R), cover (S) onto post (P) and secure with finial (T).

Your installation is now complete. Return power to the junction box and test the fixture.

HOW TO REPLACE THE LAMP SHADE (Fig. 4)

1. Loosen the finial (T) remove the cover (S), diffuser (R) and gasket (Q).
2. Remove screws (H) 2pcs. Remove the lampshade (M) and replace with new shade and re-insert screws (H). Repeat step 10 to finish installation of the new shade.

Note: Illustration (Fig. 1) on this manual is for installation purposes only. It may or may not be identical to the fixture purchased.

IMPORTANT: FIXTURE SHOULD BE INSTALLED BY A QUALIFIED ELECTRICIAN TO ENSURE PROPER WIRING AND INSTALLATION.

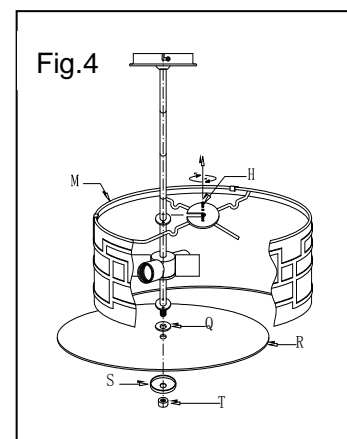
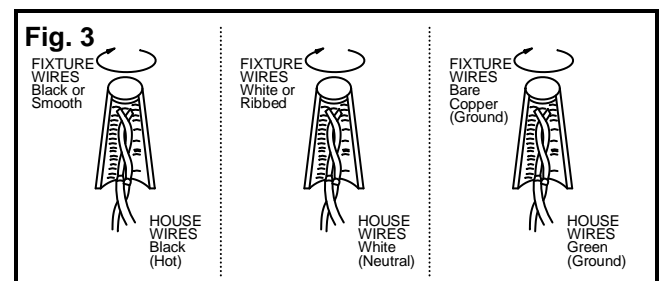
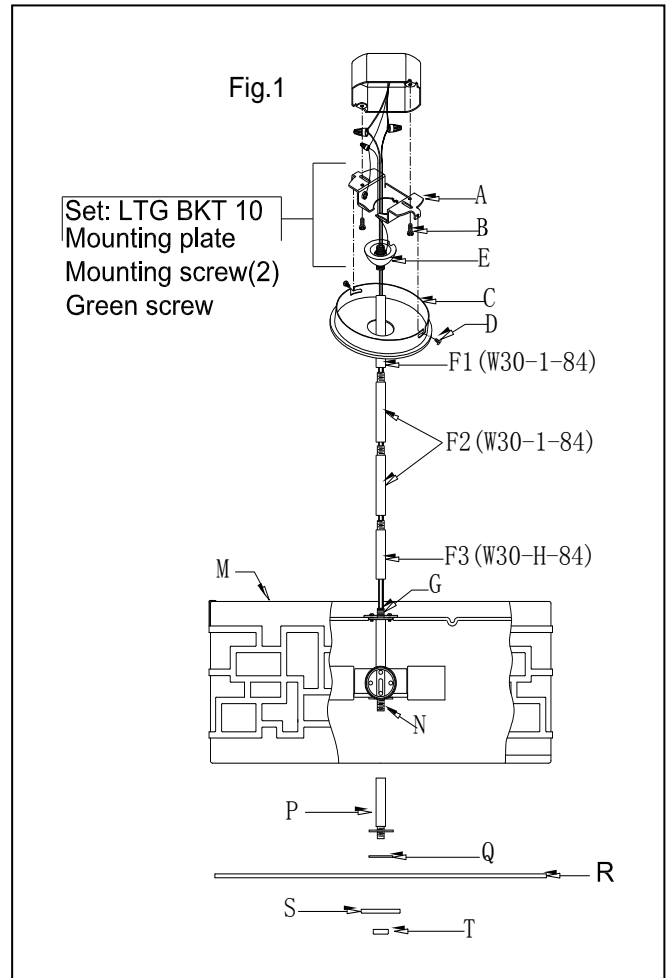
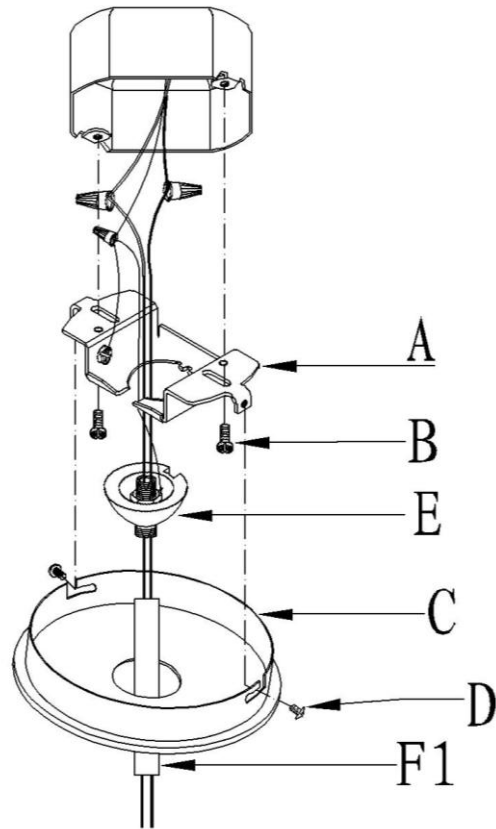
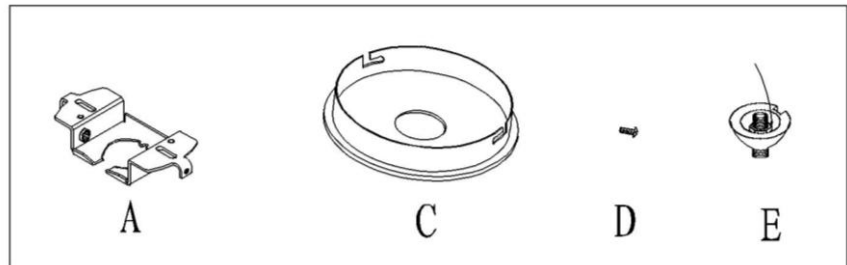


Fig. 2



a. Hardware Bag:

- A. Mounting Plate*1
- C. Canopy*1
- D. Screw*2
- E. Hanger Ball*1



b. Hardware Bag:

- F1. ROD 12"*1
- F2. ROD 12"*2
- F3. ROD 6"*1

