

19"

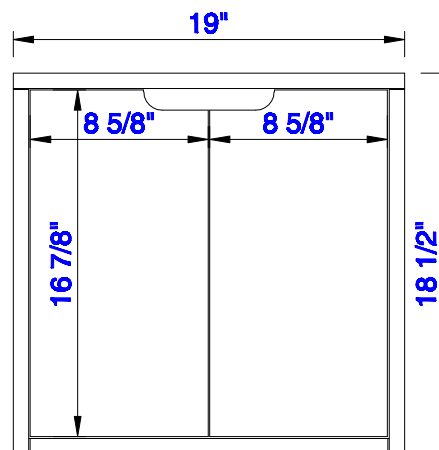
Item Number:  
C105-SC19-GW

JAMES MARTIN



VANITIES™

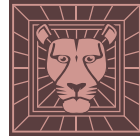
**Boston 19" Storage Cabinet**  
Diagrams with Dimensions  
page 01 of 03



19"

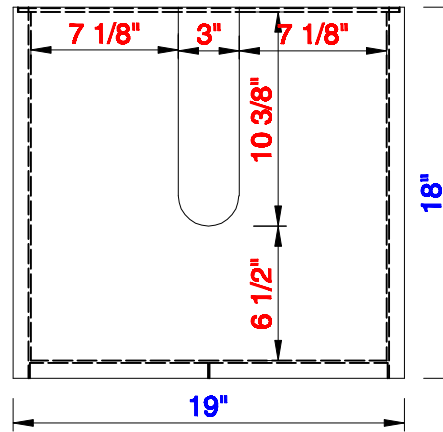
Item Number:  
C105-SC19-GW

JAMES MARTIN



VANITIES™

**Boston 19" Storage Cabinet**  
Diagrams with Dimensions  
page 02 of 03



19"

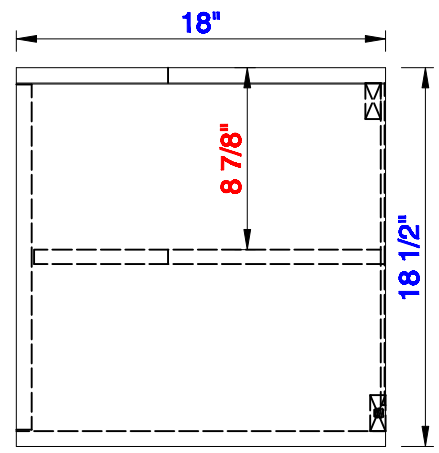
Item Number:  
C105-SC19-GW

JAMES MARTIN



VANITIES™

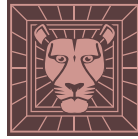
**Boston 19" Storage Cabinet**  
Diagrams with Dimensions  
page 03 of 03



483mm

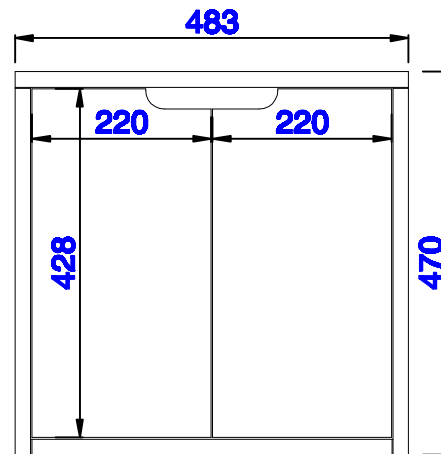
Item Number:  
C105-SC19-GW

JAMES MARTIN



VANITIES™

**Boston 483mm Storage Cabinet**  
Diagrams with Dimensions  
page 01 of 03



483mm

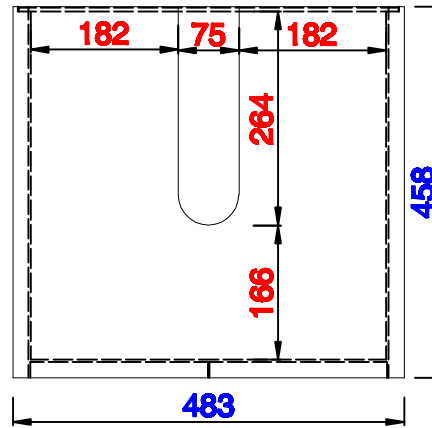
Item Number:  
C105-SC19-GW

JAMES MARTIN



VANITIES™

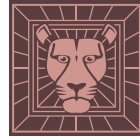
**Boston 483mm Storage Cabinet**  
Diagrams with Dimensions  
page 02 of 03



483mm

Item Number:  
C105-SC19-GW

JAMES MARTIN



VANITIES™

**Boston 483mm Storage Cabinet**  
Diagrams with Dimensions  
page 03 of 03

