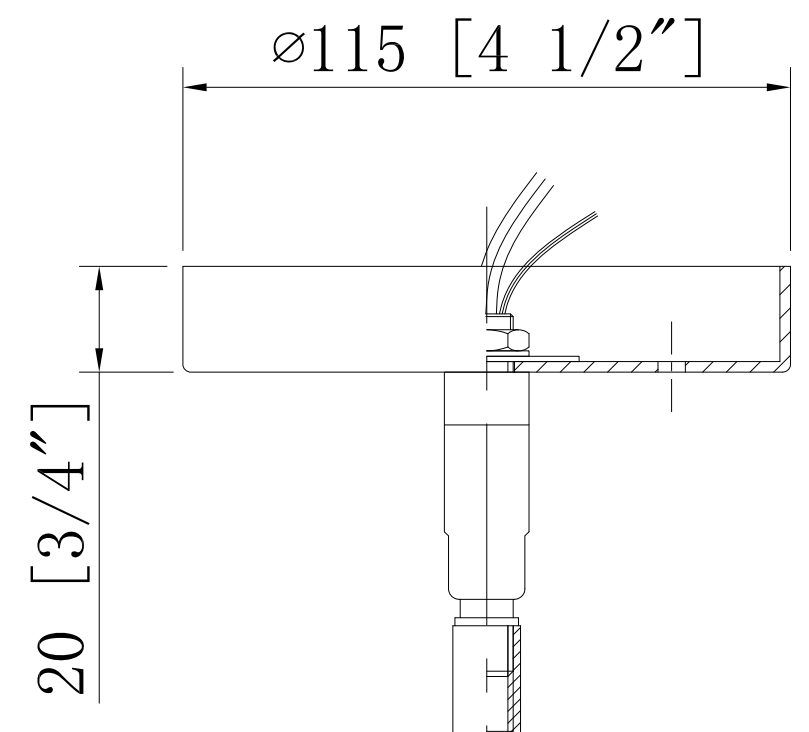
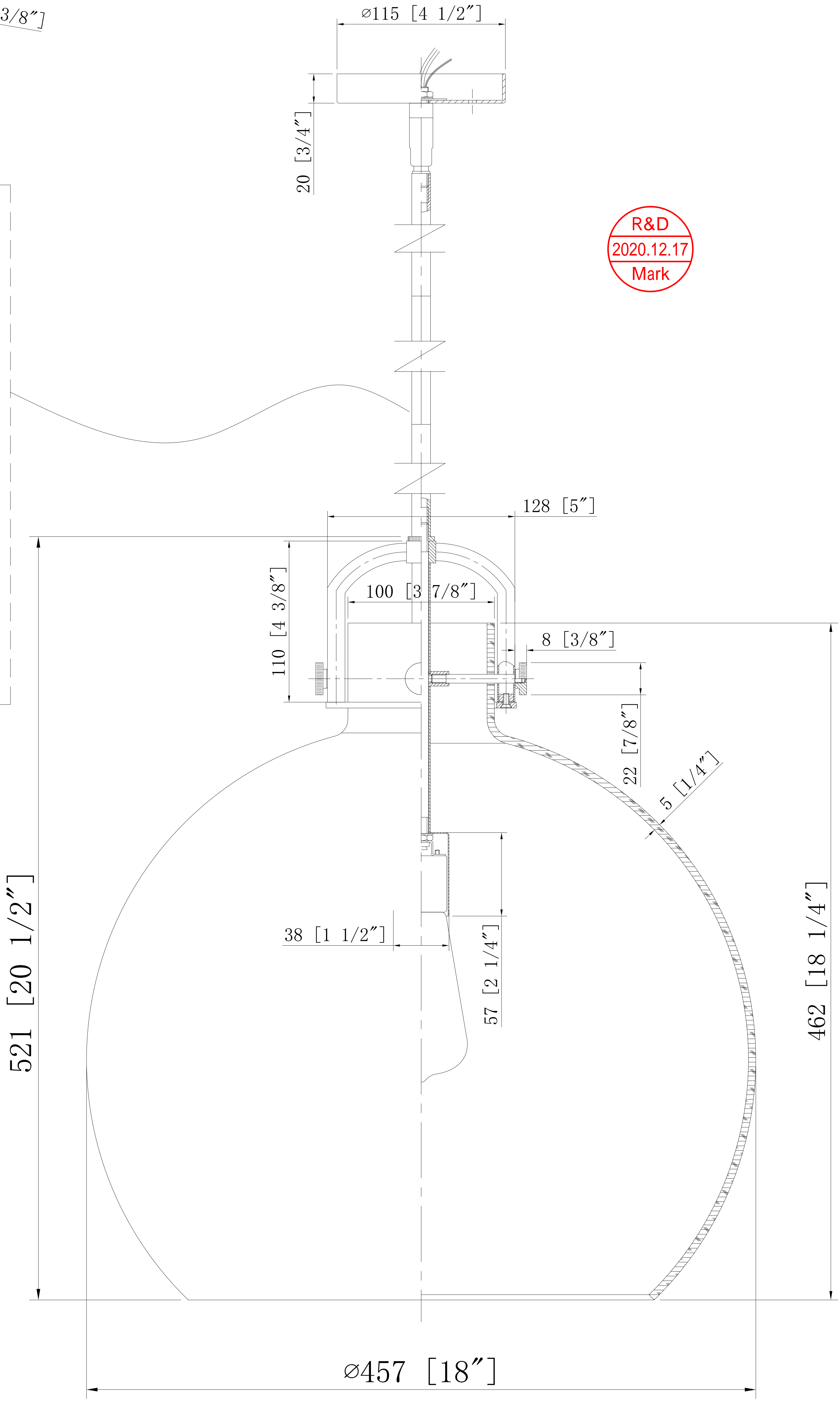
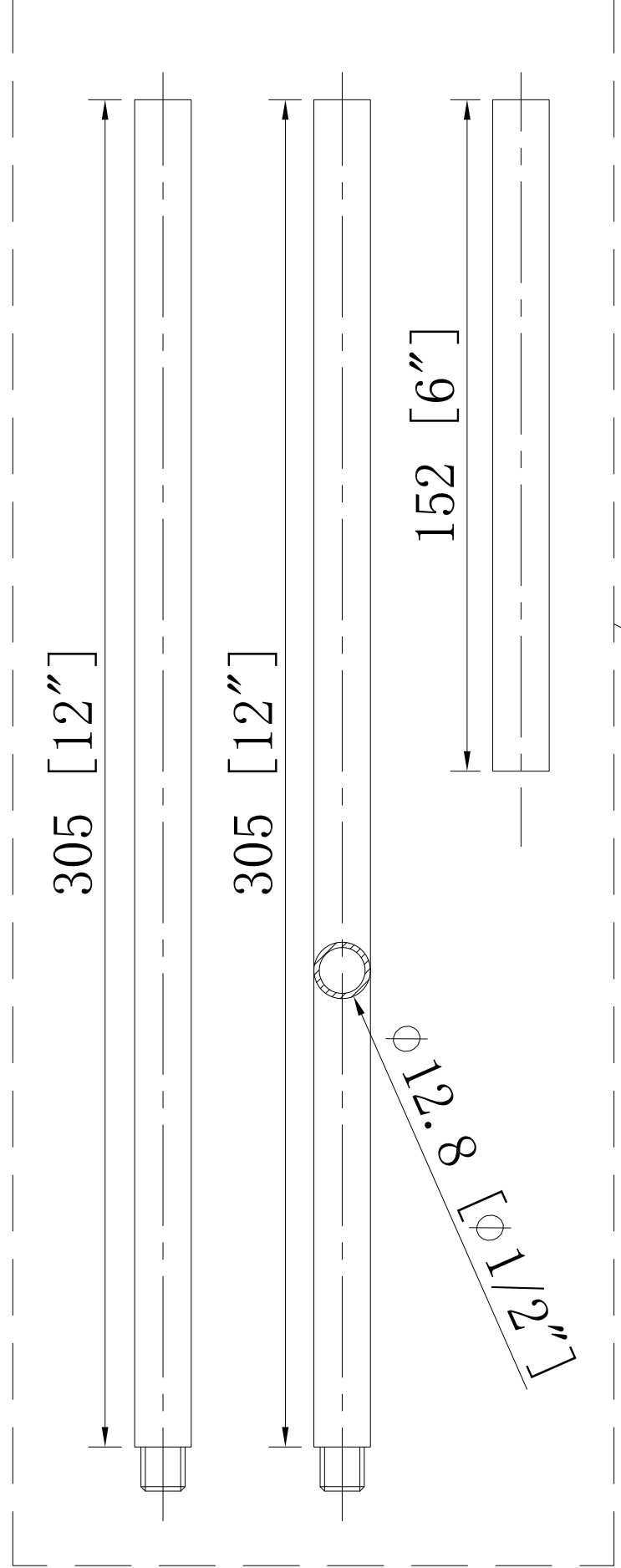


Ø10 [Ø3/8"]



R&D  
2020.12.17  
Mark



INNOVATIONS LIGHTING  
 DESIGN COPYRIGHT - 09/28/2020  
 ALL RIGHTS RESERVED AND MAY  
 NOT BE DUPLICATED WITHOUT OUR  
 WRITTEN PERMISSION

ITEM: 410-1S-18CL