



**Florestone
Model 3PC-30-60H
Institutional Shower**

60" x 31" x 81½"
Weight: 245 lbs.

**Architect's
Specifications**

Furnish and install three-piece gel-coated fiberglass shower stall Model 3PC-30-60H designed for barrier-free use as manufactured by Florestone Products Company. Basic shower will conform to ANSI-Z-124.2. Unit to include stainless steel curtain rod; Symmons® pressure balance mixing valve with concealed check stops; Moen® hand-held shower head with hose and stainless steel slide bar/grab bar; stainless steel wrap-around grab bar; stainless steel recessed soap dish. Supplied with 2" brass drain.

Shower curtain optional.

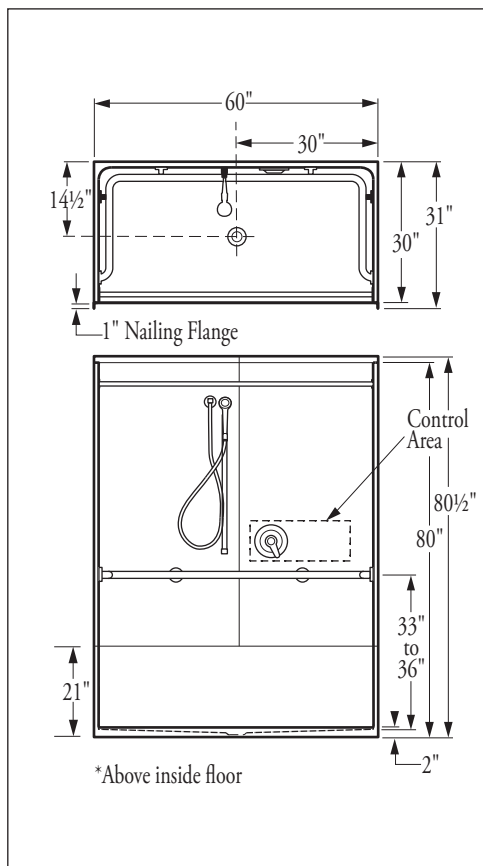
Curtain Size: 72" x 78".

Standard Color: White.

Special order colors available.

Shower comes complete with accessories:

- Stainless steel curtain rod
- Symmons® pressure balance mixing valve
- Moen® hand-held shower head, hose and stainless steel slide bar/grab bar
- Stainless steel wrap-around grab bar
- Stainless steel recessed soap dish



Standards:

I.A.P.M.O. File No. 0687
ANSI-Z-124.2



Dimensions subject to change without notice.

Contact Florestone Products to verify product specifications.

Dimensions may vary ± ¼" inch. Please check unit before installation.

For barrier-free installation, contractor shall provide recess for curb in sub floor.

Note: Exterior floor drain for water run-off recommended.
Symmons® is a Registered Trade Mark of Symmons Industries, Inc.
Moen® is a Registered Trade Mark of Moen Corporation.



FLORESTONE PRODUCTS CO., INC.

2851 Falcon Drive • Madera, CA 93637

T. 559.661.4171 • T. 800.446.8827

F. 559.661.2070 • florestone.com