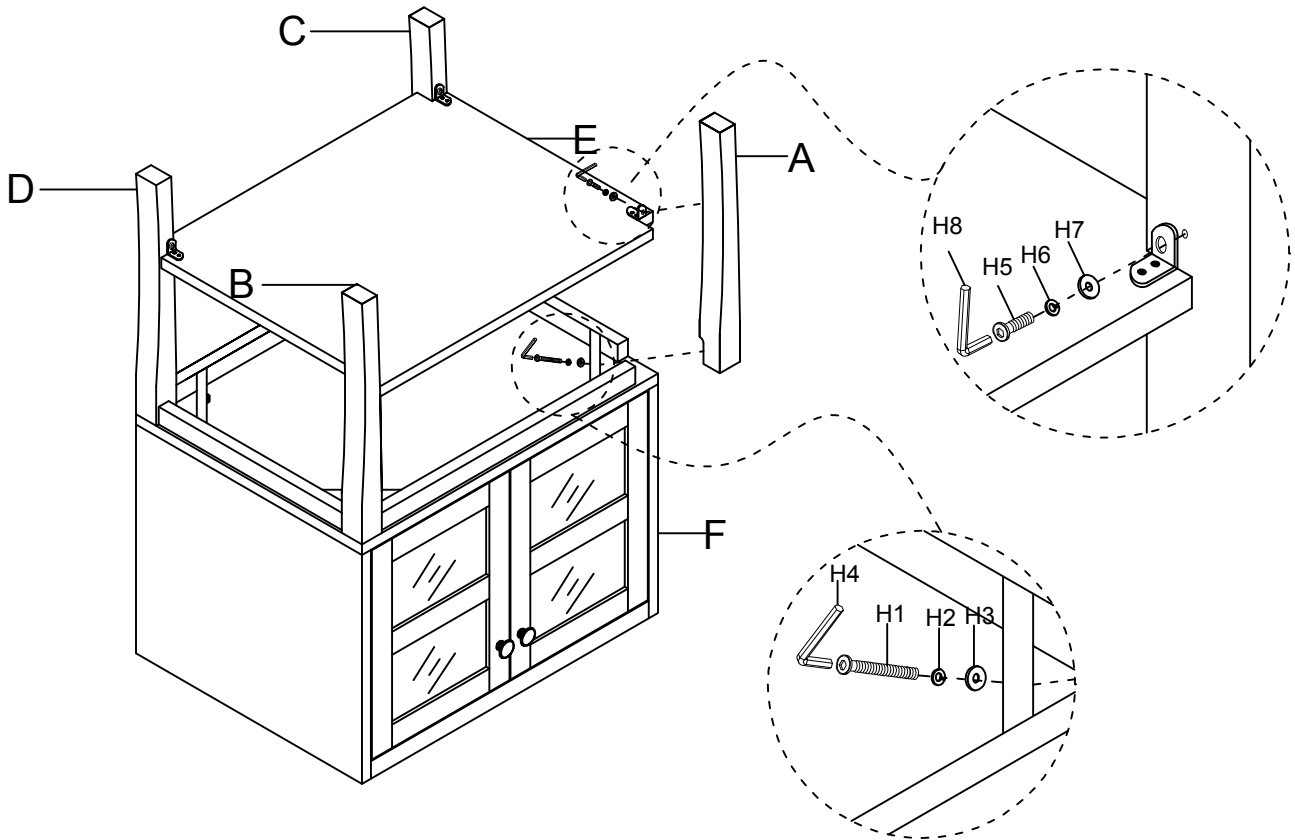




ELEGANT
FURNITURE & LIGHTING™

assembly instructions

VF2100MR / VF2101MR / VF2102MR



hardware

(H1) x 4
Screw



(H2) x 4
Lock Washer



(H3) x 4
Flat Washer



(H4) x 1
Allen wrench



(H5) x 4
Screw



(H6) x 4
Lock Washer



(H7) x 4
Flat Washer



(H8) x 1
Allen wrench

