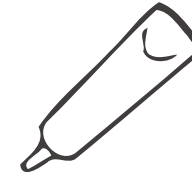


ASSEMBLY INSTRUCTIONS

BS1130CW / BS1132CW / BS1136CW / BS1142CW
BS1148CW / BS1160CW / BS1172CW
BS1030VW / BS1032VW / BS1036VW / BS1040VW
BS1042VW / BS1048VW

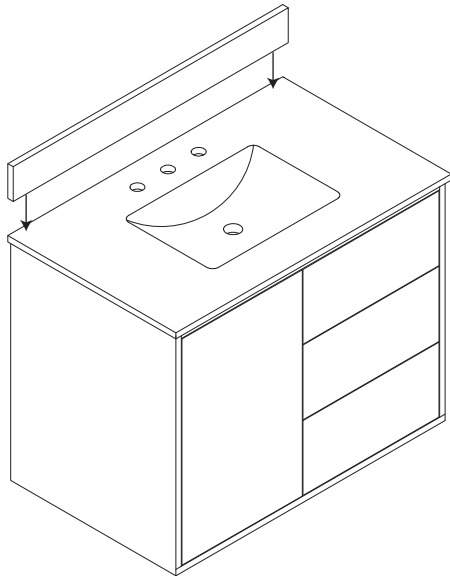


Siliconized acrylic caulk

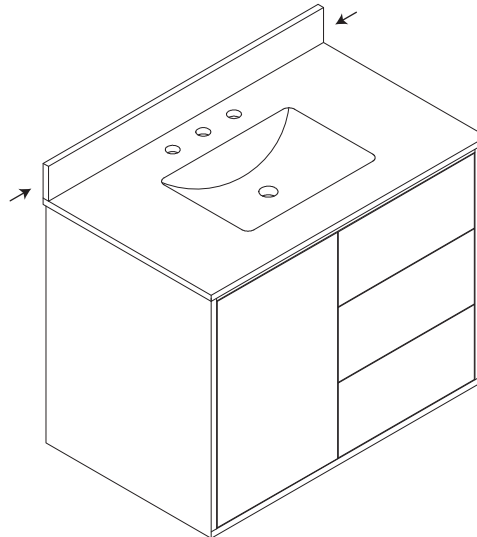


Rags

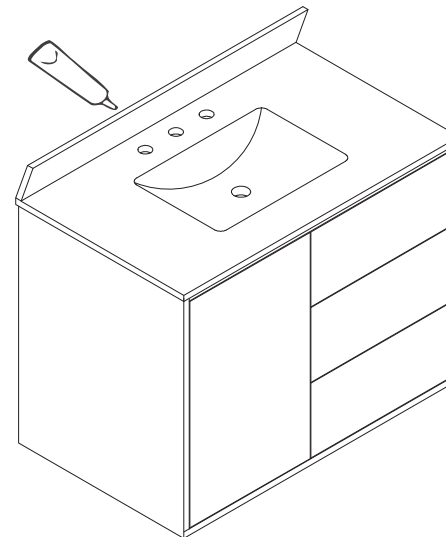
1. Position the backsplash on top of the vanity and flush against the finished wall.



2. Verify the sides of the backsplash are aligned with the sides of the vanity top.



3. Secure the backsplash using a bead of siliconized acrylic caulk on the back surface.



4. Apply a bead of caulk along the seam of the wall and backsplash. Clean and remove any excess caulk.

