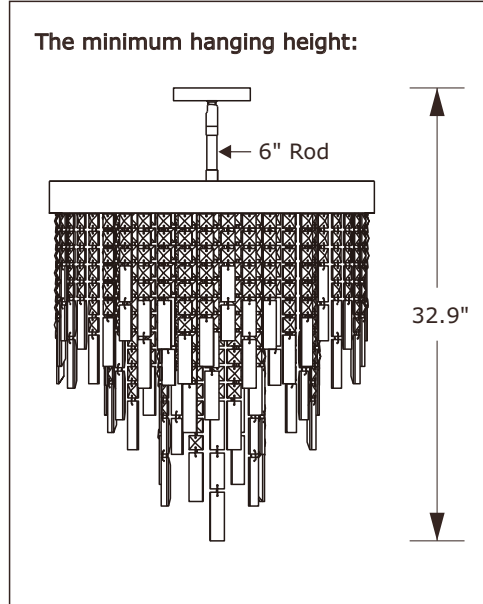
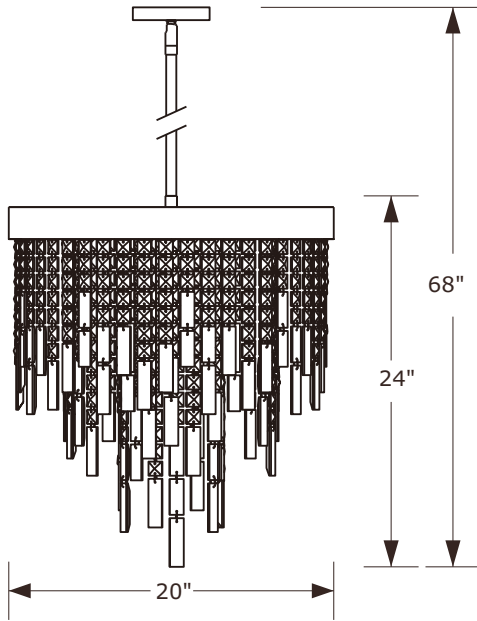


CRYSTORAMA

LIGHTING THE WAY FOR SIXTY YEARS



ASSEMBLY INSTRUCTION MODEL #WIN-215-GA-CL-MWP



WARNING:

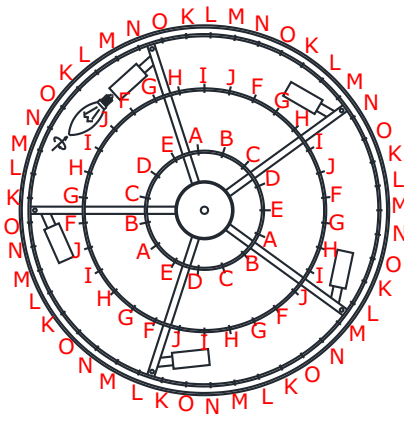
Electrical Danger Turn Power Off

All electrical components must be installed by a licensed electrician in accordance with the National Electric Code and the appropriate local electrical codes.



You will need 5 -Candelabra Base Bulb
40 Watts Recommended 60 Watts Max.
USE LED BULBS FOR EXTENDED USE
THIS FIXTURE IS DAMP RATED

DETAILED ILLUSTRATION



SUGGESTED CRYSTAL PLACEMENT TOP VIEW
PLEASE REFERENCE CRYSTAL KEY

- A= [Crystal pattern]
- B= [Crystal pattern]
- C= [Crystal pattern]
- D= [Crystal pattern]
- E= [Crystal pattern]
- F= [Crystal pattern]
- G= [Crystal pattern]
- H= [Crystal pattern]
- I= [Crystal pattern]
- J= [Crystal pattern]
- K= [Crystal pattern]
- L= [Crystal pattern]
- M= [Crystal pattern]
- N= [Crystal pattern]
- O= [Crystal pattern]

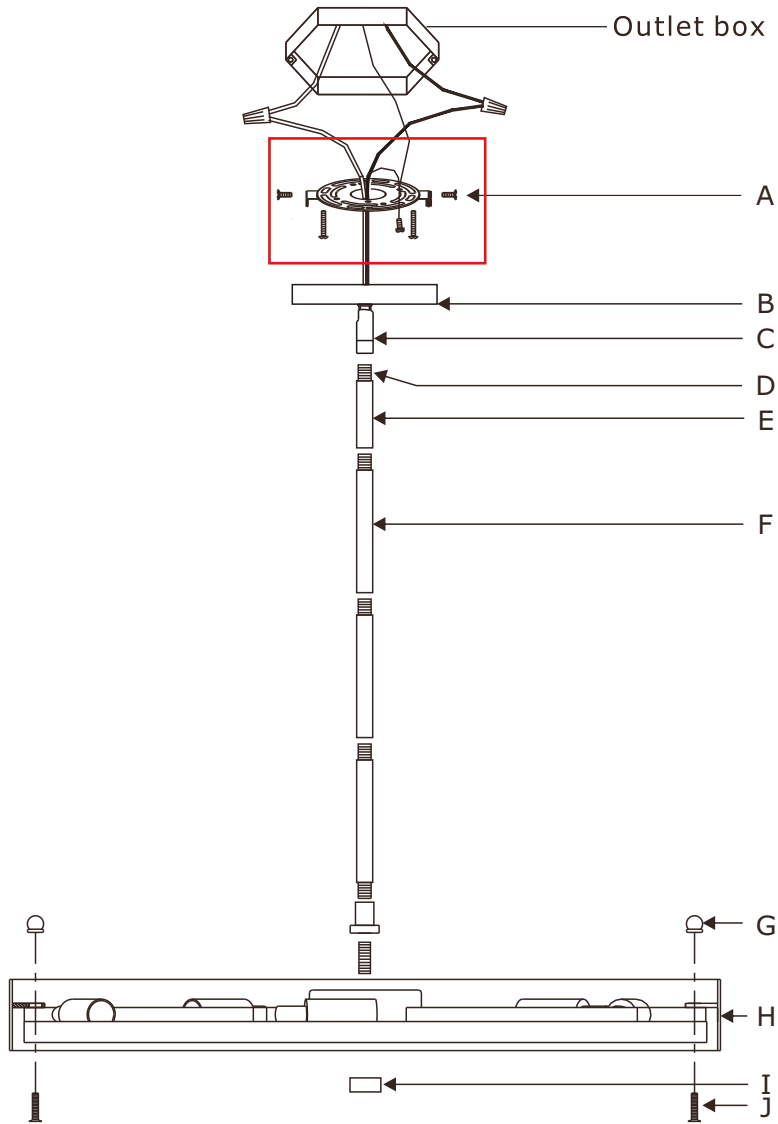
Crystal Key

- A.3 Sets.
(9)22X22mm+(1)22X76mm+(1)22X56mm
- B.3 Sets.
(14)22X22mm+(1)22X76mm
- C.3 Sets.
(11)22X22mm+(1)22X76mm+(1)22X56mm
+(1)22X76mm
- D.3 Sets.
(10)22X22mm+(2)22X76mm
- E.3 Sets.
(12)22X22mm+(1)22X56mm+(1)22X76mm
- F.6 Sets.
(5)22X22mm+(1)22X76mm+(1)22X56mm
- G.6 Sets.
(10)22X22mm+(1)22X76mm
- H.6 Sets.
(7)22X22mm+(1)22X56mm+(1)22X76mm
- I.6 Sets.
(11)22X22mm+(1)22X76mm
- J.6 Sets.
(9)22X22mm+(1)22X76mm
- K.9 Sets.
(5)22X22mm+(1)22X76mm
- L.9 Sets.
(7)22X22mm+(1)22X76mm
- M.9 Sets.
(6)22X22mm+(1)22X76mm
- N.9 Sets.
(3)22X22mm+(2)22X56mm
- O.9 Sets.
(5)22X22mm+(1)22X56mm+(1)22X76mm

WARNING: This product can expose you to Lead, which is known to the State of California to cause cancer and/or birth defects or reproductive harm. For more information go to www.P65Warnings.ca.gov.



PART NUMBER MODEL #WIN-215-GA-CL-MWP



Part Number

- A. (1) - Mounting Hardware
- B. (1) - Canopy(W5",H0.79") #XRE215GACAN5IN
- C. (1) - Swivel
- D. (5) - Threaded Pipe
- E. (1) - Rod(6",15.9mm) #XRE215GAROD6IN
- F. (3) - Rod(12",15.9mm) #XRE215GAROD12IN
- G. (5) - Ball Nut #XRE212GABANUT
- H. (1) - Metal Frame
- I. (1) - Finial #XRE215GAFIN
- J. (5) - Flat Screw