

CRYSTORAMA

1958

95 Cantiague Rock Road, Westbury NY 11590

Ph: 516.931.9090 Fax: 516.931.1254

info@crystorama.com www.crystorama.com

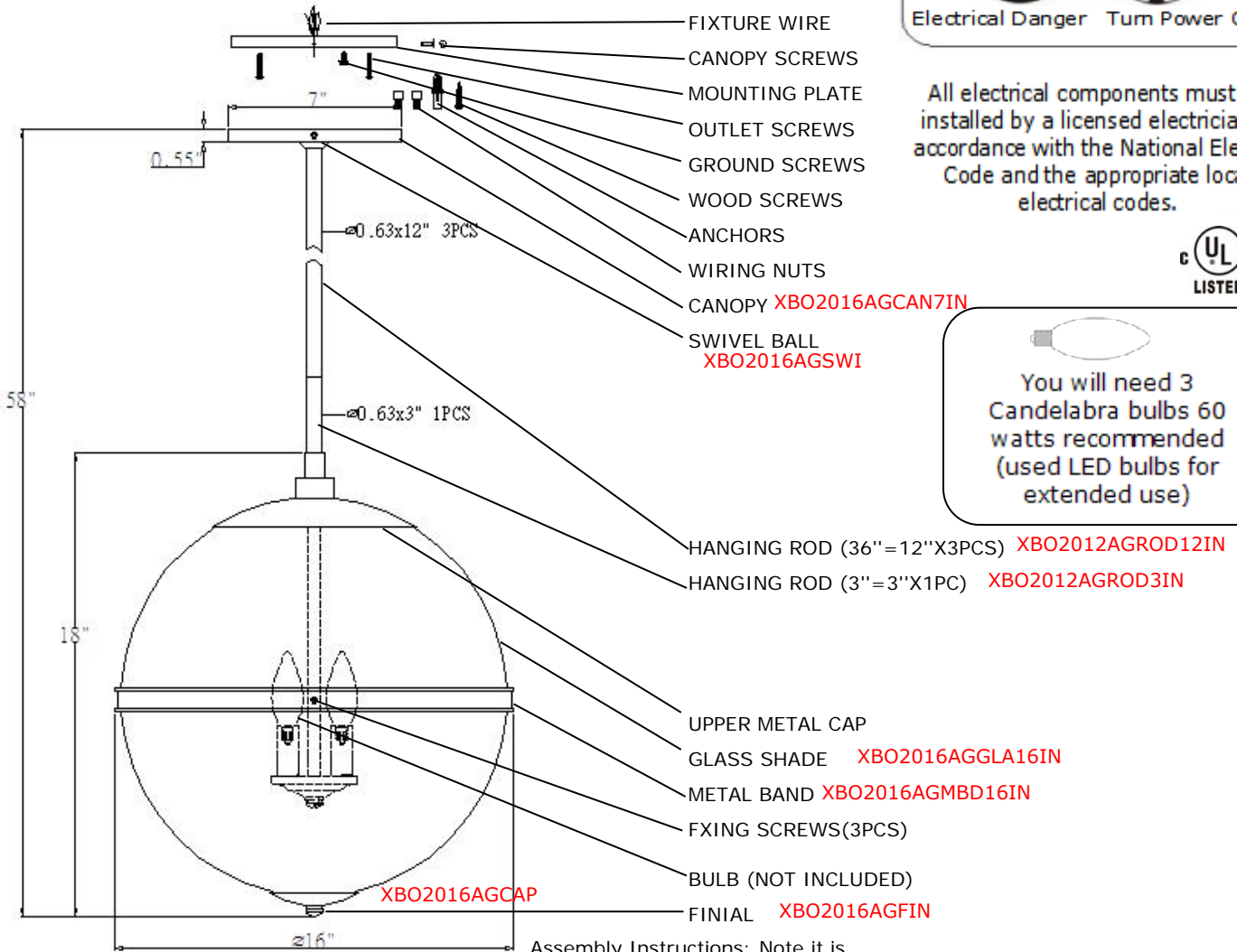
MODEL #: 2016-AG ASSEMBLY AND DRESSING INSTRUCTIONS



All electrical components must be installed by a licensed electrician in accordance with the National Electric Code and the appropriate local electrical codes.

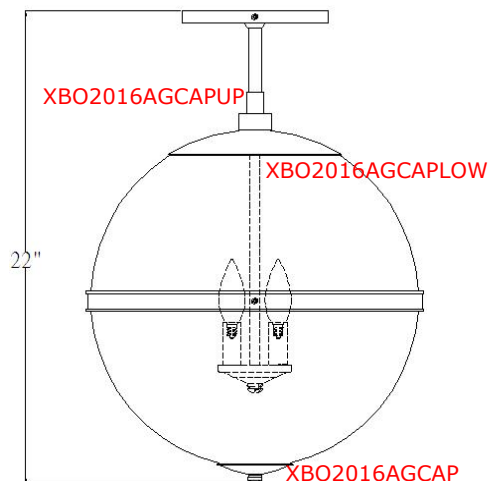
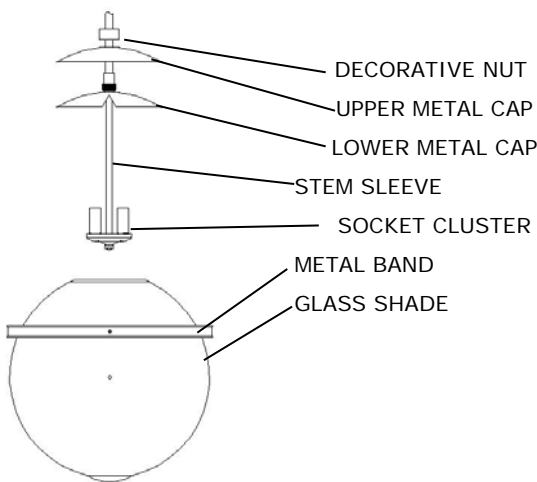


You will need 3 Candelabra bulbs 60 watts recommended (used LED bulbs for extended use)



Assembly Instructions: Note it is strongly recommended that 2 people complete the assembly of this item.

1. Install the Metal Band onto the Glass Shade (rest the glass shade inside the foam block included in the packaging. Hold the metal band straight while another person secures it on the glass with the screws provided).
2. Unscrew the decorative nut.
3. Attached bulbs into the socket cluster.
4. Attached the lower metal cap and socket cluster into the glass shade
5. Attached the upper metal cap onto the glass shade and secure the decorative nut.



NOTICE: TO REPLACE THE BULB, PLEASE UNSCREW THE BOTTOM FINIAL FROM BOTTOM METAL CAP AS SHOWN ABOVE