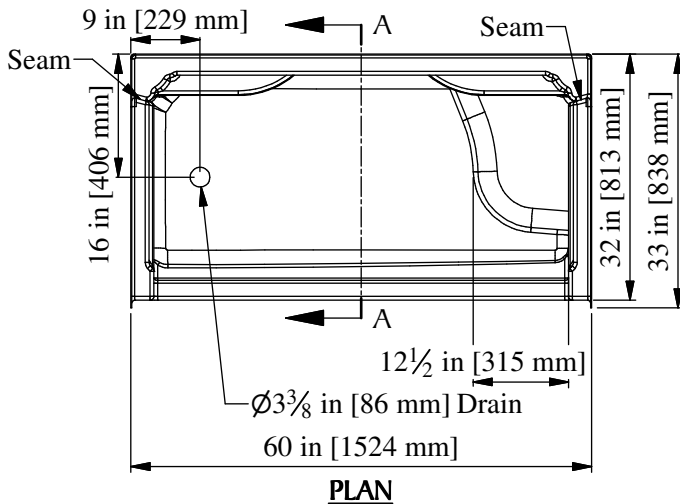
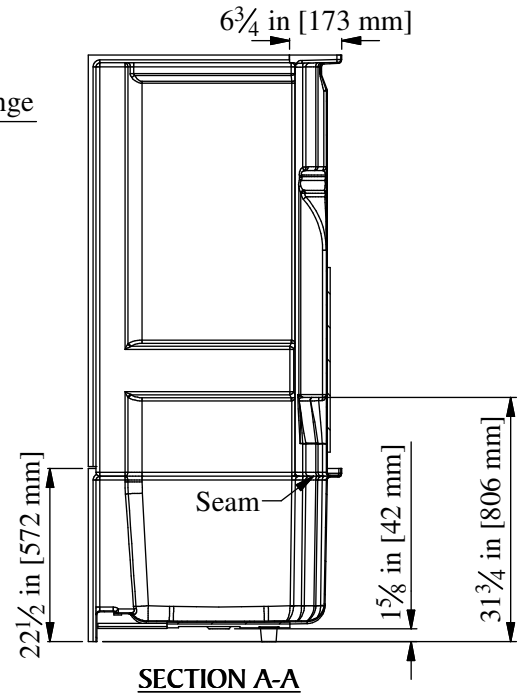
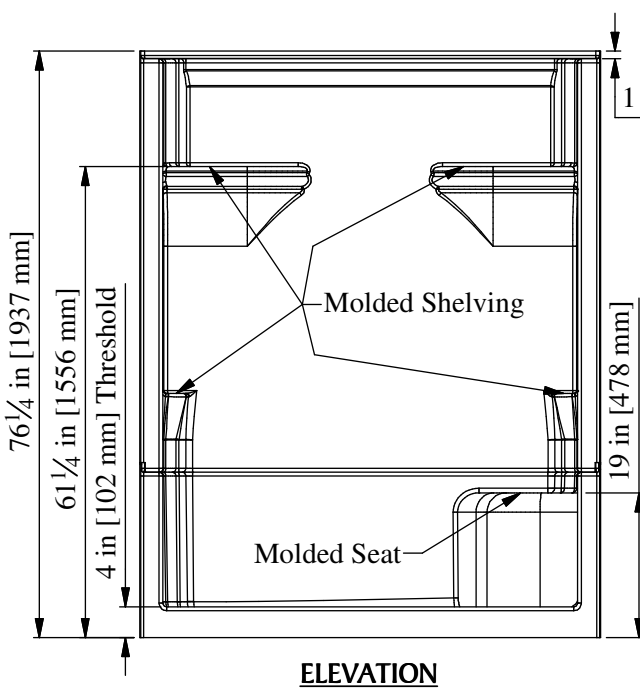


## Quantum Series



60" [1524mm] 4-Piece Shower

w/ 4" [102mm] Threshold, Molded Shelving, & Molded Seat

Left Hand Version (4SI 1L/S) Shown

### PRODUCT SPECIFICATIONS:

- \* Product complies with NAHB, HUD UM-73A, and ANSI-Z124.1.2.
- \* Product has a Class B fire rating as determined by ASTM E-84 test method.
- \* Special installation instructions for this unit must be followed carefully.
- \* Reinforced & slip resistant floor.
- \* Molded shelving on back wall.
- \* Molded seat approx. 12 1/2"W x 18"D x 16"H (opposite valve wall).
- \* Integral 1" [25mm] nailing flange.
- \* Door Opening: W-53-3/4" [1365mm]  
H-70" [1727mm]
- \* All dimensions +/- 1/2" [12.8mm]
- \* Clarion Bathware reserves the right to change design and/or dimensions.
- \* Dimensions are the same for all other versions of this model.  
Which include 4MS11L/S or 4MS11R/S

## 4SI 1L/S or 4SI 1R/S

60" [1524mm] 4-Piece Shower w/ 4" [102mm] Threshold, Left or Right Hand Drain, Molded Shelving, & Molded Seat

**Clarion**  
BATHWARE  
44 Amsler Ave.  
Shippensburg, PA 16254

Phone: (814) 226-5374  
Toll Free: (800) 576-9228  
Fax: (814) 226-0730  
www.clarionbathware.com

Signatures For Approval:

Customer: \_\_\_\_\_  
Arch./Engr: \_\_\_\_\_

Date: \_\_\_\_\_

DWG. #  
4SI 1LS or RS -CUT

Quote #: \_\_\_\_\_  
Job Name: \_\_\_\_\_

By: NMH  
Date: 4/26/2017

\*\*\*IMPORTANT NOTICE\*\*\*

Clarion bathware reserves the right to change the design and/or dimensions of its products at any time. This drawing may have been updated since this publication was issued. Before placing an order for any product, refer to our website at [www.clarionbathware.com](http://www.clarionbathware.com) to obtain the most current drawings for any products that you wish to purchase. Compare the date of revision of the drawing that you have with the one on the drawing on our website. If you do not have internet access, please call your sales representative or Clarion Bathware's sales department at 1-800-576-9228.