

 **TANK BOOSTER™**

GET MORE HOT WATER!

HEATGUARD 020 & 021 SERIES

Installation Instructions

Table of Contents

1. Safety Precautions
2. Technical Specifications
3. Installation Guidelines
4. Troubleshooting
5. Warranty Information

TANK BOOSTER
Installation Instructions
IS279 REV L
2-17-16



For Tank Booster and Tank Booster Pro

Installer, please provide the following information and leave these instructions with the client.

Installed by: _____

Date: _____

Pressure at the valve: _____ PSI / kPa

Mix temperature: _____ °F / °C

Leave a copy of these instructions with the client for future reference.

Recommend to the client that the valve is checked annually to ensure its continued function.



Safety Precautions:

- Scalding Risk: Water temperatures above 125°F (52° C) can cause severe burns, resulting in severe injury or death.
- Scalding risk can be reduced at 120°- 125°F (49° - 52° C), but even 120°F (49°C) water can cause scalding injuries (see chart below):

Time/Temperature Relationship in Scalds

Temperature	Time for a Mild First Degree Burn	Time for Permanent Second Degree Burn
120°F (49°C)	3 Minutes	9 Minutes
122°F (50°C)	1 Minute	5 Minutes
126°F (52°C)	30 Seconds	90 Seconds
131°F (55°C)	5 Seconds	25 Seconds
140°F (60°C)	2 Seconds	5 Seconds
149°F (65°C)	1 Second	2 Seconds
154°F (68°C)	Instantaneous	1 Second

- Your water heater thermostat (temperature control) temperatures should never be turned above 120°F (49°C) without a properly installed, properly commissioned and functioning Thermostatic Valve.
- Do not leave children, the elderly, or the disabled unattended in a bathtub or shower.
 - Never take hot water temperature for granted
 - Always hand-test hot water before using, especially when bathing infants and young children.
 - Leaving a child unsupervised in the bathroom, even if only for a second, could cause serious injuries or death
 - Never allow small children to use a hot water tap or draw their own bath water
 - Your presence at all times is the best defense against accidents and scalding to children, the elderly, or the disabled.
 - The temperature at which injury occurs varies with the person's age and the time of exposure. The slower response time of children, elderly, or disabled persons increases hazards for them.





Warning: If the TANK BOOSTER or Tank Booster (PRO) thermostatic valve is removed, decommissioned, or suspected of being faulty, immediately revert the water heater temperature setting to no higher than 120°F (49°C) in accordance with the water heater manufacturer's instructions.

- The TANK BOOSTER is a temperature limiting valve. It must be installed and commissioned in accordance with manufacturer's instructions.
- Improper installation or maintenance can cause unsafe outlet water temperatures that can cause immediate injury or death.

2. Technical Specifications:

Factory-set outlet temperature :	115 – 120°F (46 – 49°C)	
Adjustable outlet temperature range :	90 – 130°F (32 – 54°C)	
Temperature, hot supply :	120 – 180°F (48.9 - 82°C)	
Temperature, cold supply :	39 - 80°F (5 – 27°C)	
Temperature stability (nominal) :	± 5°F ¹ (± 3°C)	
Hydrostatic pressure :	150 psi max (1030 kPa)	
Permitted supply pressure variation :	±20% (max) ²	
Flow rate @ 45psi pressure loss :	11 gpm (42 L/min)	
Flow rate, minimum :	1 gpm (4 L/min)	

Notes:

1. As tested in accordance with ASSE 1017.
2. Maximum permitted variation in either supply pressure in order to control the outlet temperature to within ±5°F. Excessive changes in supply pressures may cause changes in outlet temperature.

California Proposition 65 Warning

Warning: This product contains chemicals known to the State of California to cause cancer and birth defects or other reproductive harm. (Installer: California law requires that this warning be given to the consumer.)

3. Installation Guidelines

Failure to comply with all aspects of these instructions may result in unsafe performance.

All installations must comply with relevant State, Provincial and Local Authority requirements.

Delivery Temperature:

Every valve is factory set for 120°F (49°C) outlet temperature, with a 140°F (60°C) hot water inlet temperature.*

To Achieve Maximum Hot Water Delivery Performance

To achieve maximum hot water delivery performance, the TANK BOOSTER must first be installed on the water heater in accordance with these instructions. Once installed consult the water heater manufacturer's instructions and increase the temperature control device to around 140°F (60°C). This has the added benefit of being a temperature determined by the OHSA as being sufficient to kill Legionella bacteria. Verify the outlet temperature of the TANK BOOSTER and adjust in accordance with these instructions.

Non Return (Check) Valves:

Non return valves are integrated in the cold and hot water inlets of the valve. For correct and safe system function, ensure that the check valve is clean of debris and functioning correctly.

***NOTE:** To ensure delivery of the desired mixed water temperature at the outlet the installer must adjust and verify the temperature at the outlet by carefully following instructions on the following page.



Flush the system thoroughly before fitting Tank Booster or Tank Booster Pro:

It is critical that all debris is flushed from the pipe-work prior to installing the valve. Not flushing the system properly is the most common cause of system difficulties.

Check:

- Measure and note all site parameters (pressure, temperature, etc.), and check against the specifications of the chosen valve. If the site conditions are outside those specified for the valve then they must be rectified prior to installing the valve.
- Valve **MUST NOT** be subjected to heat during installation as this may damage the valve internals.
- Valve **MUST NOT** be fitted on steam-supplied systems, but to water systems only.
- Valve **MUST NOT** be frozen. If the valve is installed in a situation where freezing is a possibility, then suitable insulation must be fitted to prevent damage to the valve.
- **DO NOT** use excess thread sealant (in liquid, tape or other form) as this may cause the valve to fail.



CHECKING / SERVICING THE MIXING VALVE



Note that this thermostatic mixing valve is a **SAFETY VALVE**. We recommend that the valve is checked at least once per year to ensure its continued function. For installations with poor or unknown water quality, or other adverse supply conditions, it may be necessary to check the valve at more frequent intervals.

The temperature should be checked at the same outlet as was used for commissioning in the first instance. If the temperature is more than 5°F (3°C) from the commissioning temperature, refer to the trouble shooting guide in Section 4.

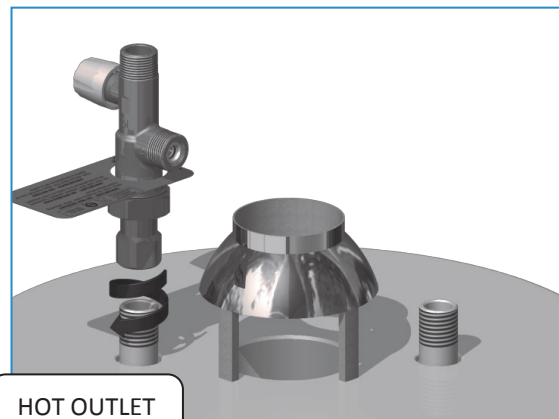
There may be some variation in the temperature of the water from the thermostatic mixing valve due to seasonal temperature variations in the cold water supply.

The check valve can be easily accessed for cleaning by removing the unions.

Installation Procedure – Tank Booster & Tank Booster Pro

(Note: The Tank Booster has a white cap and the Tank Booster Pro comes without a white cap)

- Before connecting the tee-piece and mixing valve to the water heater, it is important to consider the alignment required to enable connection of the tee-piece to the mixing valve with the flexible hose, and the positioning of the mixing valve to allow easy access for adjustment. The position of the recirculation port* also needs to be considered.
 - Isolate the water entering and exiting the water heater by closing nearby shut off valves or by draining pipe lines.
1. Apply sealing tape to the hot and cold connections on the water heater. Connect the union fitting end of the valve onto the hot outlet of the water heater, aligning as required, and then tighten.
- For Tank Booster Pro, connect the non-grooved end of the union fitting to the hot outlet of the water heater.
 - Place a strainer seal (bulge side towards heater) on the union fitting then screw the nut onto the mixing valve in the orientation shown.



* Found only on the Tank Booster Pro

2. Connect the tee-piece to the cold inlet of the water heater, ensuring that its mixing valve connection is aligned to allow connection to the mixing valve via the flexible hose.



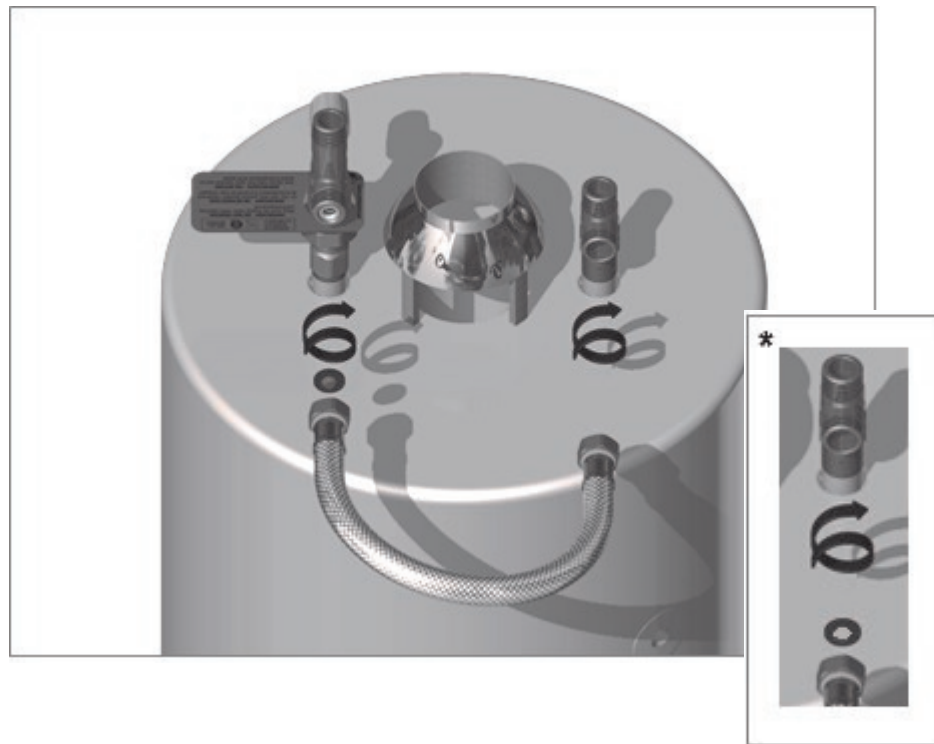
COLD INLET

TANK BOOSTER
Installation Instructions
IS279 REV L
2-17-16

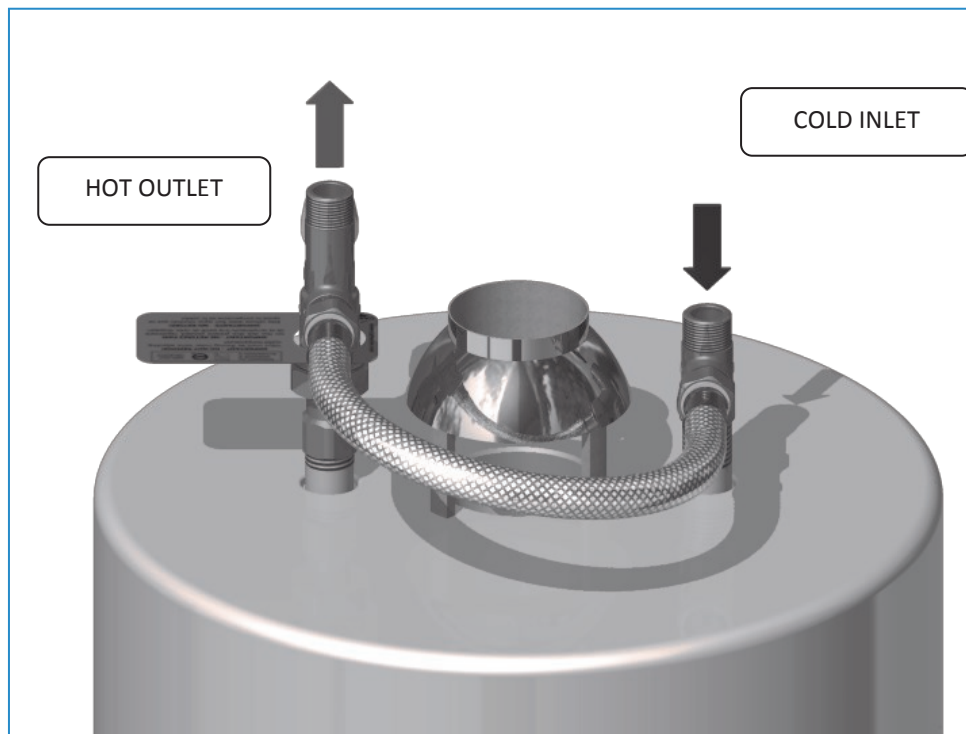


3. Place a strainer seal in one end of the flex hose (bulge side towards flex hose) and connect this end of the flex hose to the mixing valve cold inlet. Connect the other end of the flex hose to the tee-piece.

- If your kit comes with the stainless steel corrugated hose, place the included washer between the cold inlet supply to the tee-piece inlet and the hose.*



4. Connect system cold water inlet supply to the tee-piece inlet and the system hot water outlet supply to the mixing valve outlet, as shown.



5. Using a thermometer, test the mixed water temperature at the nearest outlet being supplied by the valve. This should be opened to allow a minimum flow rate of 1.5 gpm (6 L/min). Allow the water to run for at least one minute to ensure the mixed water temperature has settled.



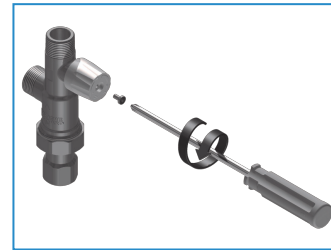
Thermo-strip

- The thermo-strip included in this kit may be used to indicate the outlet temperature of the mixing valve to the household.
- It shall not be used to set the outlet temperature of the mixing device; this must be performed as stated in the temperature setting instructions.
- To install the thermo-strip, remove the adhesive backing and apply the thermo-strip to the mixing valve outlet pipe-work no less than 10" from the outlet connection.

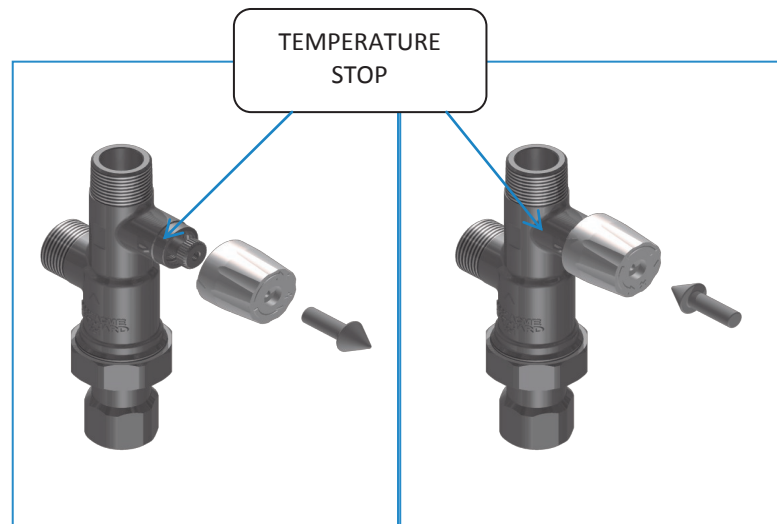
Adjusting Outlet Mix Water Temp for Tank Booster (White Cap)

**Prior to setting the valve it is necessary for the hot water source to be switched on and delivering hot water at the design temperature.

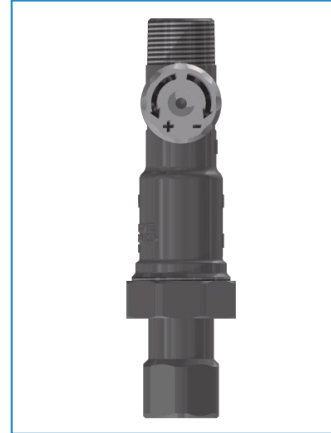
1. Remove the sticker on the adjusting knob and unscrew the knob securing screw with a Phillips screw driver.



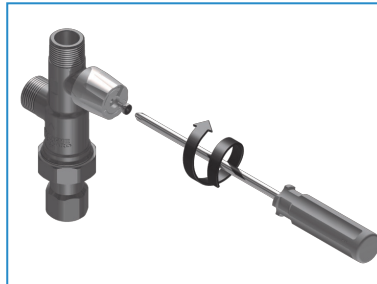
2. Lift the knob off the adjusting spindle then replace with the knob keyway (marked with a triangle on the knob) to the left of the temperature stop to raise the temperature, or to the right of the temperature stop to lower the temperature. The valve must be flowing water while adjusting outlet temperature.



3. Rotate the knob to select the desired temperature, clockwise to decrease the set temperature, or anticlockwise to increase the set temperature.



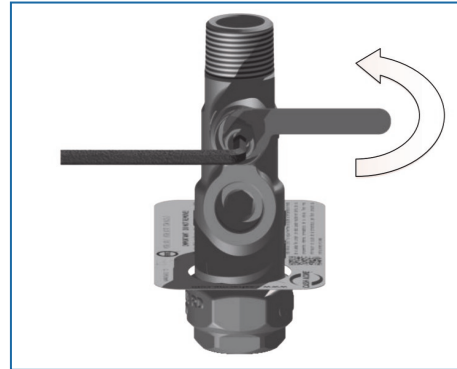
4. Lock the new set temperature by removing the knob and replacing it with the knob keyway located on the temperature stop on the valve body. Replace the knob securing screw.



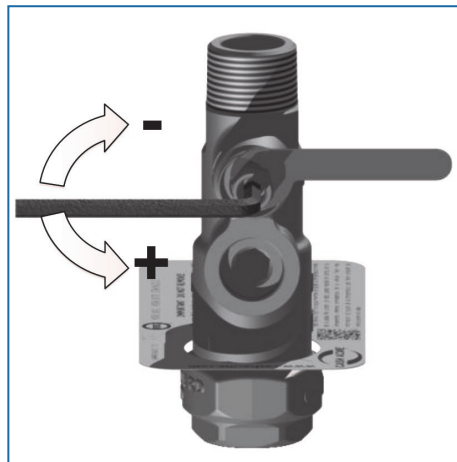
Adjusting Outlet Mix Water Temp for Tank Booster Pro

**Prior to setting the valve it is necessary for the hot water source to be switched on and delivering hot water at the design temperature.

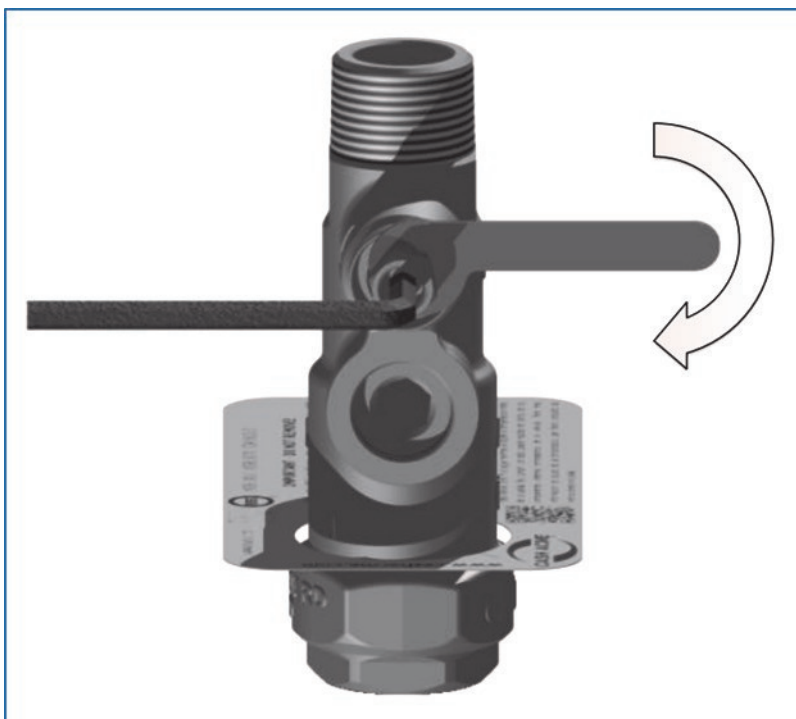
1. Holding the 3/16" Allen key (supplied), loosen the locking nut with a 7/16" wrench.



2. Using the wrench to support the locking nut and prevent it from rotating, turn the Allen key to adjust the outlet temperature – clockwise to reduce the temperature, counter clockwise to increase the temperature – until the desired temperature is reached. The valve must be flowing water while adjusting outlet temperature.



3. Holding the Allen key, tighten the locking nut with the wrench.



Alternative Installation

The TANK BOOSTER and TANK BOOSTER PRO can be installed sideways if there is no clearance above the water heater.



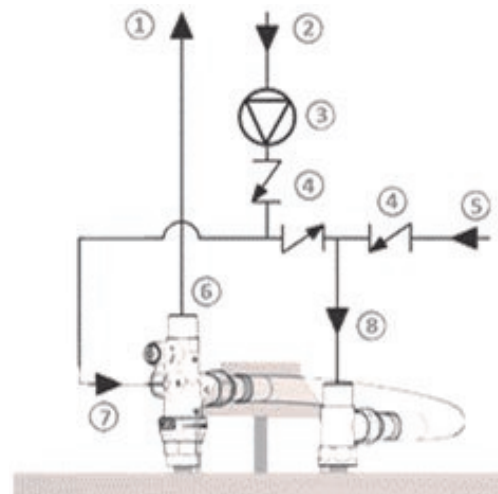
TANK BOOSTER
Installation Instructions
IS279 REV L
2-17-16



INSTALLATION IN RECIRCULATED SYSTEMS **TANK BOOSTER PRO ONLY**

- The TANK BOOSTER PRO includes a recirculation port to allow return water from the system to be connected directly back into the mixing valve. To use this recirculation port, remove the blanking plug using an Allen key (3/8")

1. Tempered water supply to system
2. Tempered water return from system
3. Circulating pump
4. Non return valve
5. Cold water supply
6. Mix outlet
7. Mixing valve recirculation port
8. Cold inlet



Installation of a thermal expansion device should be installed after the non return valve on the cold water supply prior to entering the water heater.

NOTE: This diagram is a guideline only. Any installation of a recirculated system should be undertaken by a qualified tradesperson, and in accordance with the relevant codes and State, Provincial and Local Authority requirements. Performance of the system will be dependent on the other components specified within it.

4. Troubleshooting

FAULT / SYMPTOM	CAUSE	RECTIFICATION
<ul style="list-style-type: none"> The desired mixed water temperature cannot be obtained or valve is difficult to set. 	<ul style="list-style-type: none"> Inlet temperatures are not within specific limits. Hot and cold supplies are reversed. Strainers are blocked. 	<ul style="list-style-type: none"> Ensure inlet temperatures are within the specified limits for the valve. Refit the valve with Hot/Cold supplies fitted to the correct connections. Clean strainers.
<ul style="list-style-type: none"> Mix temperature unstable or changing over time. 	<ul style="list-style-type: none"> Strainers are blocked. Fluctuating supply pressures. 	<ul style="list-style-type: none"> Clean strainers. Install pressure regulating valves on both hot and cold supplies.
<ul style="list-style-type: none"> Either full hot or full cold water flowing from outlet fixture. 	<p>Valve is incorrectly set. Hot and cold supplies are reversed Hot/Cold water has migrated to other inlet. Refer also to point 1.</p>	<p>Adjust mix temperature as required. Refit the valve with Hot/Cold supplies fitted to the correct connections. Check non-return valve is not fouled. Clean if necessary.</p>

FAULT / SYMPTOM	CAUSE	RECTIFICATION
<ul style="list-style-type: none"> No flow from the valve outlet. 	<ul style="list-style-type: none"> Hot or cold water supply failure. Strainers are blocked. 	<ul style="list-style-type: none"> Restore inlet supplies and check mix temperature. Clean strainers.
<ul style="list-style-type: none"> Flow rate reduced or fluctuating. 	<ul style="list-style-type: none"> Strainers are blocked. Fluctuating supply pressures. 	<ul style="list-style-type: none"> Clean Strainers. Install pressure regulating valves.
<ul style="list-style-type: none"> Mixed water temperature does not change when temperature adjuster is altered. 	<ul style="list-style-type: none"> Hot and cold supplies are reversed. 	<ul style="list-style-type: none"> Refit the valve with Hot/ Cold supplies fitted to the correct connections.
<ul style="list-style-type: none"> Hot water flows into the cold water system or vice versa. 	<ul style="list-style-type: none"> Non-return valves fouled. 	<ul style="list-style-type: none"> Clean non-returns ensuring debris is removed.
<ul style="list-style-type: none"> Valve is noisy. 	<ul style="list-style-type: none"> Excessive water velocity. Valve sized incorrectly. 	<ul style="list-style-type: none"> Reduce water velocity (best achieved by fitting a pressure regulating valve). Check valve specifications and ensure the appropriate valve is used for required flow.



5. Warranty Information

Limited Warranty – SharkBite® and Cash Acme® Products

Category	Subcategory	Warranty Period (From Commencement Date)	Comments
SharkBite Universal Brass Push-To-Connect Fittings And SharkBite 2XL Large Diameter Push-To-Connect Fittings	Fittings	Twenty-Five (25) Years	Shall be used with: Copper–ASTM B 88 hard drawn copper tube K, L, and M PEX–ASTM f876/CSA b137.5 CPVC–ASTM D2846 or CSA B137.6 PE-RT–ASTM F2769
	Fittings	Five (5) Years	Shall be used with: HDPE SDR-9 ASTM D2737
SharkBitePEX Pipe	-	Twenty-Five (25) Years	Shall be used with: ASSE 1061, ASTM F1807, ASTM F2098, OR ASTM F2159 FITTINGS
SharkBite Barb Fittings	Brass PEX Barb Fittings/Copper Manifold	Five (5) Years	Shall be used on: PEX – ASTM F876/CSA B137.5 Copper Crimp Rings – ASTM F1807 Stainless Steel
	Poly PEX Barb Fittings	Five (5) Years	Shall be used on: PEX – ASTM F876/CSA B137.5 Copper Crimp Rings – ASTM F2159
	PEX Barb Tools	One (1) Year	From date of purchase.



Category	Subcategory	Warranty Period (From Commencement Date)	Comments
Cash Acme Products	Thermostatic Mixing Valves	Five (5) Years	Shall be installed per installation instructions.
	Other Cash Acme	Two (2) Years	Shall be installed per installation instructions.
Valves with SharkBite Push-To-Connect Connections B Ball Valves, Supply Hoses, Supply Stops	Ball Valves, Supply Hoses, Supply Stops	Two (2) Years	Shall be installed per installation instructions.
Valves with SharkBite Push-To-Connect Connections Continued	Thermostatic Mixing Valves	Five (5) Years	Shall be installed per installation instructions.
	Other Cash Acme®	Two (2) Years	Shall be installed per installation instructions.
	SharkBite Connection	Twenty-Five (25) Years	Shall be used with: Copper - ASTM B 88 HARD DRAWN Copper Tube Type K, L, AND M PEX – ASTM F876/CSA B137.5 CPVC - ASTM D 2846 OR CSA B137.6 PE-RT - ASTM F2769
	SharkBite Connection	Five (5) Years	Shall be used with: HDPE SDR-9 ASTM D2737



What Does This Warranty Cover?

Subject to conditions outlined in this statement, RWC (in the USA, Reliance Worldwide Corporation and in Canada, Reliance Worldwide Corporation (Canada) Inc.) warrants to owners of real property in the United States and Canada that SharkBite® and Cash Acme® products, when used and installed in accordance with the requirements set forth below, to be free from defects in material and workmanship for the applicable Warranty Period. This Limited Warranty is in effect for installations made after July 1, 2015 and is applicable to product installed in the country it was purchased. Proof of purchase is required to validate the warranty period; if proof of purchase is not available, the warranty period shall default to the date of manufacture for each product.

What Are The Conditions Of This Warranty?

All products must be installed in accordance with all then applicable codes, good plumbing practice, in accordance with any local, state, provincial or federal requirements, and installed in a potable water or radiant heating application unless a non-potable water service is specifically allowed for in the pertinent product literature.

The installing contractor must use construction techniques compliant with then applicable codes to install the range of products and use the product(s) within the design parameters specified in any installation guidelines and technical notes for the applicable system. This shall include field pressure testing prior to concealing with concrete or by other means. Failure to install RWC products according to manufacturer's installation instruction will void all applicable warranties and may result in severe water damage.

Products must not be installed in a system that may operate at temperatures or at pressures that exceed the printed rating on the product, packaging or installation instructions.

Without limiting the foregoing, this Limited Warranty does not apply if the product failure or resulting damage is caused by: (a) evidence of tampering, mishandling, neglect, accidental damage, freeze damage (it is expressly understood that failure as a result of any freezing fluids within the pipes does not constitute a defect in material or workmanship and shall not be covered by this warranty) or unauthorized modifications or repairs that cause damage to RWC warranted products; (b) exposure to harmful, unauthorized, or unanticipated chemicals or substances or corrosive water conditions; (c) exposure to ultraviolet light; (d) faulty installation including failure to follow proper burial instructions; (e) damage from faulty operating conditions; (f) components not manufactured or sold by RWC; and (g) acts of nature such as earthquakes, fire, flood or lightning.

Although RWC provides a plumbing system to facilitate a complete installation, other manufacturers pipe and/or fittings may be installed in any given installation provided manufacturing of the pipe and/or fittings demonstrates compliance with the applicable ASTM/CSA standards, and the product has been certified by a recognized third-party testing agency. The RWC product in the given installation will continue to be covered under this Limited Warranty although limits on Warranty Period may apply. RWC will be responsible only for proven defects in material or workmanship in RWC products. Problems in products manufactured by another company should be reported to that manufacturer. RWC does not warrant the integrity or workmanship of the contractor/installer.



How Do You Get Service?

In order to be eligible for service under this Limited Warranty you must return the defective product within thirty (30) days after detection of alleged failure or defect occurring within applicable warranty period (with shipping charges prepaid) to the original place of purchase. You also must include the model number of the product, the original date of purchase, proof of purchase and the nature of the problem. Products returned without shipping charges prepaid will be refused. For questions or inquiries to the Manufacturer, in the U.S. call 1-877- 700-4242 and in Canada 1-888-820-0120.

What Will RWC Do?

If, after inspection, we find that a product covered by this limited warranty has failed due to a defect in material or workmanship during the specified warranty period, we will repair or replace, at our sole option, free of charge, the defective product during normal working hours and through a place of business as determined by RWC. This shall constitute the sole and exclusive remedy for any defective product.

What Does This Warranty Not Cover?

RWC shall not be responsible for any incidental, indirect, contingent, special or consequential damages, including without limitation, lost profits or the cost of repairing or replacing other property which is damaged if these warranted products do not work properly, other costs resulting from labor charges, delays, vandalism, negligence, fouling caused by foreign material, damage from adverse water conditions, adverse chemical environments, or any other circumstances over which RWC has no control. This limitation applies even if RWC could have foreseen or has been advised of the possibility of these damages. This Limited Warranty shall be invalidated by any abuse, misuse, misapplication or improper installation of the product.

How Does State/Provincial Law Apply?

Some States/Provinces do not allow limitations on how long an implied warranty lasts, and some States/Provinces do not allow the exclusion or limitation of incidental or consequential damages. Therefore, the above limitations may not apply to you. This Limited Warranty gives you the specific legal rights, and you may have other rights that vary from State/Province to State/Province. You should consult applicable State/Provincial laws to determine your rights. SO FAR AS IS

CONSISTENT WITH APPLICABLE STATE/PROVINCIAL/ FEDERAL LAW, THE EXPRESS WARRANTY SET FORTH HEREIN IS THE ONLY WARRANTY GIVEN BY RWC WITH RESPECT TO THE SharkBite® AND CASH ACME® PRODUCTS AND RWC MAKES NO OTHER WARRANTIES, EXPRESSED OR IMPLIED, AND HEREBY SPECIFICALLY DISCLAIMS ALL OTHER WARRANTIES, EXPRESSED OR IMPLIED, INCLUDING BUT NOT LIMITED TO THE IMPLIED WARRANTIES OF MERCHANTABILITY AND FITNESS FOR A PARTICULAR PURPOSE. For the most updated version of the warranty, please visit www.cashacme.com.



TANK BOOSTER™

OBTENEZ PLUS D'EAU CHAUDE

HEATGUARD SÉRIES 020 ET 021

Mode d'installation

Table des matières

1. Précautions de sécurité
2. Spécifications techniques
3. Directives d'installation
4. Dépannage
5. Information sur la garantie

TANK BOOSTER
Installation Instructions
IS279 REV L
2-17-16



Pour l'installateur du Tank Booster et du Tank Booster Pro,
fournir les renseignements suivants et laisser ces instructions
au client.

Installé par : _____

Date : _____

Pression au robinet : _____ lb/po² / kPa

Température de mélange : _____ °C / °F

Laisser une copie de ces instructions au client pour référence
ultérieure.

**Recommander au client de vérifier le robinet chaque année
pour s'assurer de son bon fonctionnement continu.**



1. Précautions de sécurité :

- Risque de brûlure : Les températures de l'eau dépassant 52 °C (125 °C) peuvent causer de graves brûlures, entraînant des lésions graves voire la mort.
- Le risque de brûlure peut être réduit à des températures de 49 à 52 °C (120 à 125 °F), mais même à une température de 49 °C (120 °F), l'eau

Relation temps/température lors de brûlures

Température	Temps pour une brûlure légère au premier degré	Temps pour une brûlure permanente au deuxième degré
49 °C (120 °F)	3 minutes	9 minutes
50 °C (122 °F)	1 minute	5 minutes
52 °C (126 °F)	30 secondes	90 secondes
55 °C (131 °F)	5 secondes	25 secondes
60 °C (140 °F)	2 secondes	5 secondes
65 °C (149 °F)	1 seconde	2 secondes
68 °C (154 °F)	Instantanée	1 seconde

- Les températures du thermostat de votre chauffe-eau (contrôle de la température) ne doivent jamais dépasser 49 °C (120 °F) sans avoir installé et mis en service de manière appropriée un mitigeur thermostatique.
- Ne pas laisser sans surveillance des enfants, une personne âgée ou handicapée dans une baignoire ou sous la douche.
 - Ne jamais supposer que la température de l'eau chaude est sécuritaire.
 - Tester toujours l'eau chaude avec la main avant de l'utiliser, en particulier lors du bain d'un bébé ou d'un jeune enfant.
 - Le fait de laisser des enfants sans supervision dans une salle de bains, ne serait-ce que pour une seconde, peut causer des blessures graves ou mortelles.
 - Ne jamais permettre à de jeunes enfants d'utiliser l'eau chaude du robinet ou de faire couler leur propre bain d'eau chaude.
 - Votre présence en tout temps est la meilleure protection contre les accidents et les brûlures aux enfants, aux personnes âgées ou handicapées.
 - La température à laquelle une blessure se produit varie en fonction de l'âge d'une personne et de la durée d'exposition. Un temps de réaction plus long des enfants, personnes âgées ou handicapées augmente le risque de blessure pour ces personnes.





Avertissement : Si le mitigeur thermostatique du TANK BOOSTER ou TANK BOOSTER (PRO) est enlevé, mis hors de service, ou si l'on soupçonne qu'il est défectueux, remettre immédiatement la température du chauffe-eau à 49 °C (120 ° F) tout au plus, conformément aux instructions du fabricant du chauffe-eau.

- Le dispositif TANK BOOSTER est un mitigeur thermostatique. Il doit être installé et mis en service par un professionnel conformément aux instructions du fabricant.
- Une installation ou un entretien inadéquats peuvent entraîner des températures de l'eau non sécuritaires au robinet de sortie et causer des blessures immédiates ou la mort.

2. Spécifications techniques :

Température de sortie réglée en usine :	46 à 49 °C (115 à 120 °F)	
Plage réglable de températures de sortie :	32 – 54 °C (90 à 130°F)	
Température, alimentation d'eau chaude :	48,9 à 82 °C (120 à 180 °F)	
Température, alimentation d'eau froide :	5 à 27 °C (39 à 80 °F)	
Stabilité de la température (nominale) :	± 3 °C ¹ (± 5 °F)	
Pression d'eau interstitielle	150 lb/po ² max. (1 030 kPa)	
Variation permise de pression d'alimentation :	±20 % (max) ²	
Débit @ perte de pression de 45 lb/po ² :	42 l/min (11 g/min)	
Débit, minimal :	4 l/min (1 g/min)	

Remarques :

- Comme testé conformément à la norme ASSE1017.
- Variation maximale permise de la pression d'alimentation afin de contrôler la température de sortie dans une plage de ±3 °C (±5 °F). Des changements excessifs des pressions d'alimentation peuvent causer des changements de la température de sortie.

Avertissement de la « Proposition 65 » de la Californie :

Avertissement : Ce produit contient des produits chimiques reconnus par l'État de Californie comme pouvant causer le cancer, des malformations congénitales ou nuire au système reproducteur. (Installateur : La loi de l'État de Californie exige que

3. Directives d'installation

La non-conformité à tous les aspects de ces instructions peut entraîner un rendement non sécuritaire.

Toutes les installations doivent être conformes aux exigences des autorités d'État, provinciales et locales.

Température de distribution :

Chaque robinet est réglé en usine à une température de sortie de 49 °C (120 °F), et une température d'entrée d'eau chaude de 60 °C (140°F).*

Pour obtenir un rendement maximal de distribution d'eau chaude

Pour obtenir un rendement maximal de distribution d'eau chaude, le TANK BOOSTER doit d'abord être installé sur le chauffe-eau conformément à ces instructions. Une fois le dispositif installé, consulter les instructions du fabricant du chauffe-eau et régler la température du dispositif de commande de la température à environ 60 °C (140 °F). Cela présente l'avantage supplémentaire d'être la température suffisante pour tuer la bactérie Legionella, comme déterminée par l'OSHA. Vérifier la température de sortie du TANK BOOSTER et la régler conformément à ces instructions.

Robinets antiretour :

Des robinets antiretour ont été intégrés aux orifices d'entrée d'eau chaude et d'eau froide. Pour un fonctionnement correct et sécuritaire du système, s'assurer que le robinet antiretour est libre de tout débris et fonctionne correctement.

***REMARQUE :** Pour assurer la distribution d'eau mélangée à la température désirée à l'orifice de sortie, l'installateur doit régler et vérifier la température à l'orifice de sortie en suivant à la lettre les instructions qui figurent à la page suivante.

Rincer le système soigneusement avant de raccorder le Tank Booster ou Tank Booster Pro :

Il est essentiel que tous les débris aient été rincés des tuyaux avant d'installer le mitigeur. Un rinçage inapproprié du système est la cause la plus courante des problèmes du système.

Vérifier :

- Mesurer et noter tous les paramètres du site (pression, température, etc.) et les comparer aux spécifications du mitigeur choisi. Si les conditions du site sont hors de celles précisées pour le mitigeur, elles doivent être corrigées avant d'installer le mitigeur.
- Le mitigeur NE DOIT PAS être soumis à la chaleur pendant l'installation sous risque d'endommager les soupapes internes.
- Le mitigeur NE DOIT PAS être raccordé à des systèmes alimentés à la vapeur, mais uniquement à des systèmes à l'eau.
- Le mitigeur NE DOIT pas être exposé au gel. Si le mitigeur est installé dans un endroit qui pourrait être exposé au gel, un isolant convenable doit alors être installé pour prévenir tout dommage au mitigeur.
- NE PAS utiliser une quantité excessive d'enduits d'étanchéité pour raccords filetés (sous forme liquide, de ruban ou sous toute autre forme) sous risque de causer la défaillance du mitigeur.



VÉRIFICATION/ENTRETIEN DU MITIGEUR THERMOSTATIQUE



Il est à noter que ce mitigeur thermostatique est une **SOUPEPE DE SÛRETÉ**. Il est recommandé de vérifier le mitigeur au moins une fois par an pour s'assurer de son bon fonctionnement continu. Pour les installations pour lesquelles la qualité de l'eau est médiocre ou inconnue, ou dans des conditions d'alimentation indésirables, il peut être nécessaire de vérifier le mitigeur à des intervalles plus fréquents.

La température de l'eau doit toujours être vérifiée à l'orifice qui a été utilisé lors de la mise en service initiale. Si la température dépasse de plus de 3 °C (5 °C) la température de mise en service, consulter le guide de dépannage à la Section 4.

Il est possible qu'il y ait une certaine variation de température de l'eau du mitigeur thermostatique en raison des variations de température saisonnières de l'alimentation en eau froide.

Le robinet antiretour est facilement accessible pour le nettoyage en enlevant simplement les raccords-union.

Mode d'installation– Tank Booster et Tank Booster Pro

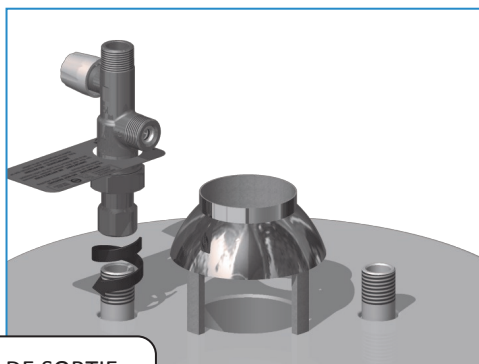
(Remarque : Le Tank Booster est fourni avec un capuchon blanc et le Tank Booster Pro sans capuchon blanc.)

- Avant de connecter la pièce en T et le mitigeur thermostatique au chauffe-eau, il est important de tenir compte de l'alignement nécessaire pour permettre le raccordement de la pièce en T au mitigeur thermostatique avec le flexible et le positionnement du mitigeur de manière à assurer un accès facile pour le régler. La position du port de recirculation* doit aussi être prise en compte.
- Isoler l'eau qui entre ou qui sort du chauffe-eau en fermant les robinets de sectionnement qui se trouvent à proximité ou en vidangeant les conduites.

1. Appliquer du ruban d'étanchéité aux raccordements d'eau chaude et d'eau froide du chauffe-eau. Raccorder l'extrémité du raccord-union du mitigeur sur l'orifice de sortie d'eau chaude du chauffe-eau, en l'alignant au besoin, puis serrer.

- Pour le Tank Booster Pro, raccorder l'extrémité sans rainures du raccord-union à l'orifice de sortie d'eau chaude du chauffe-eau.
- Placer un joint filtrant (le côté bombé vers le chauffe-eau) sur le raccord-union, puis visser l'écrou sur le mitigeur thermostatique selon l'orientation montrée.

* Uniquement sur le Tank Booster Pro

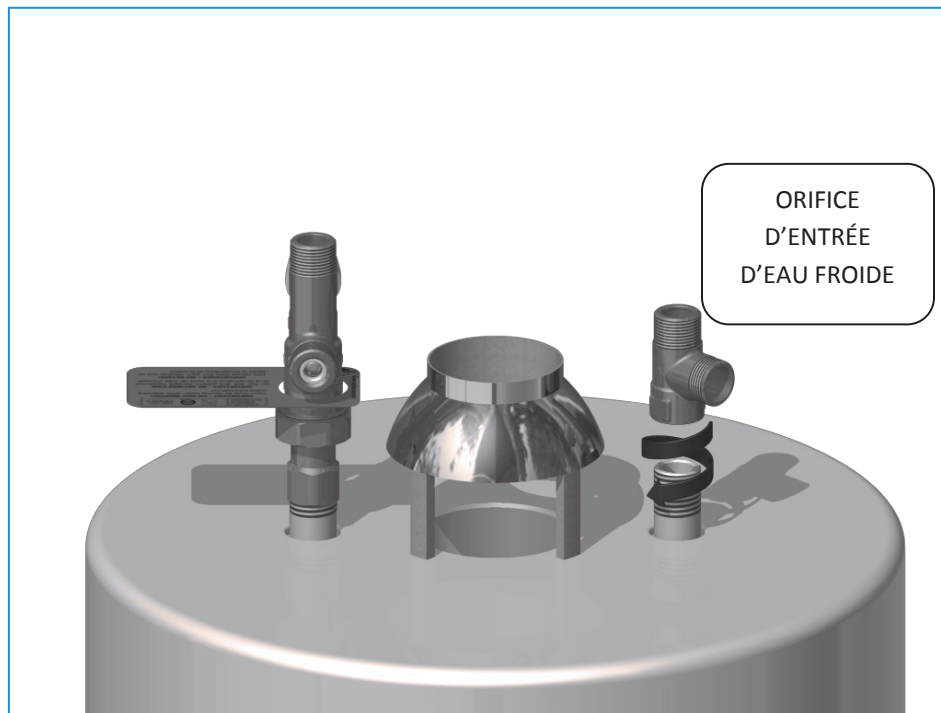


ORIFICE DE SORTIE
D'EAU CHAUDE

TANK BOOSTER
Installation Instructions
IS279 REV L
2-17-16



2. Raccorder la pièce en T sur l'orifice d'entrée d'eau froide du chauffe-eau, en s'assurant que son alignement permettra le raccordement au mitigeur par le flexible.

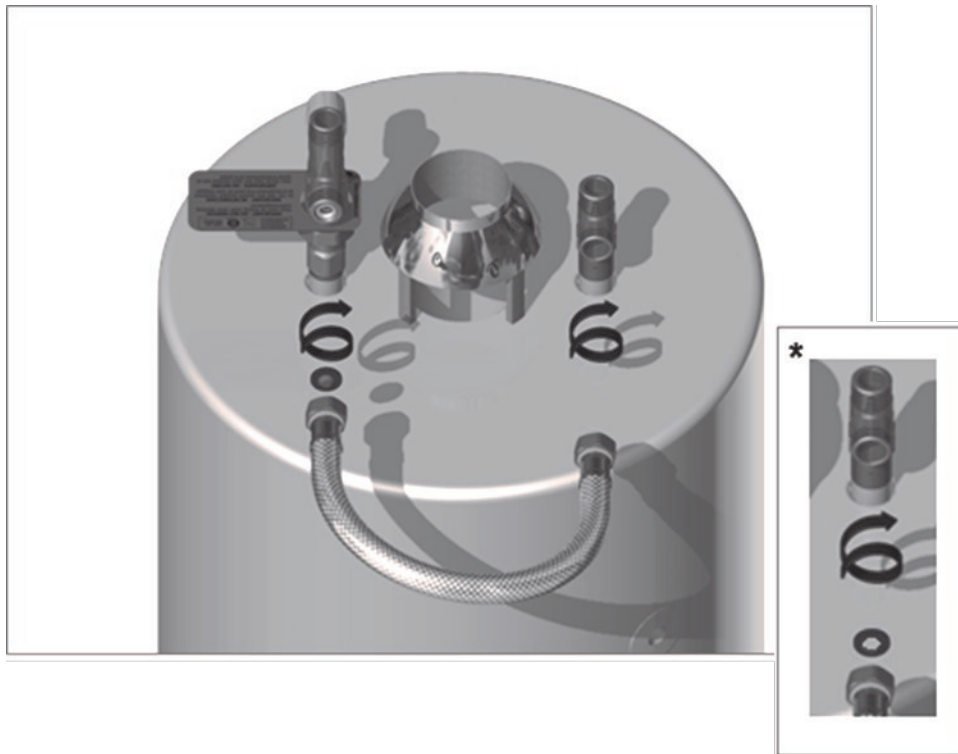


TANK BOOSTER
Installation Instructions
IS279 REV L
2-17-16

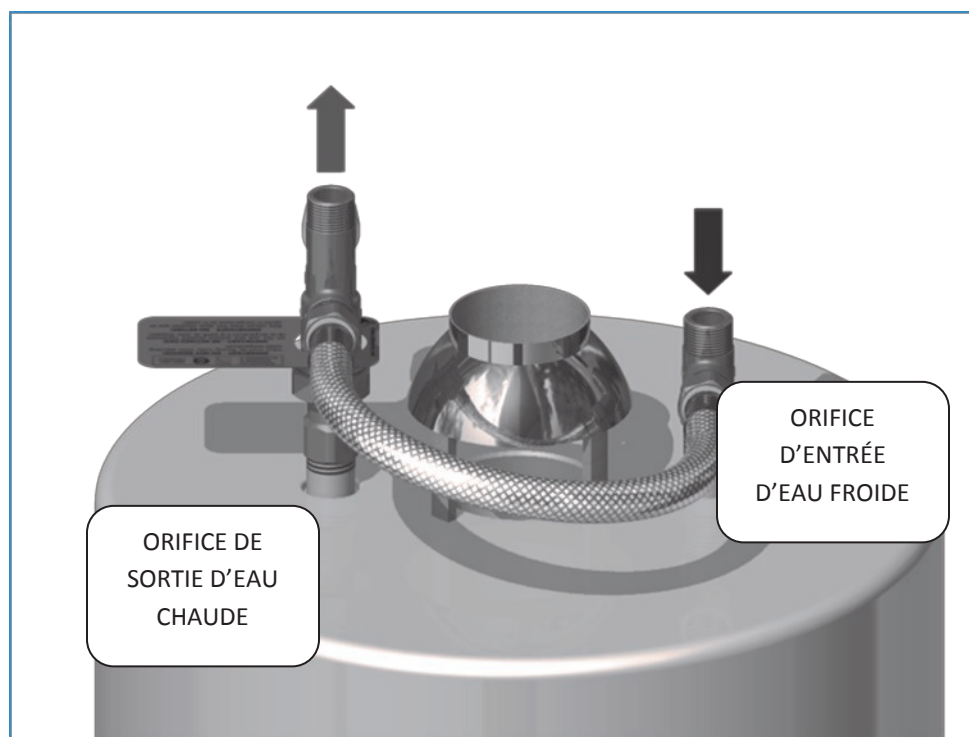


3. Placer un joint filtrant à l'une des extrémités du flexible (le côté bombé vers le flexible) et la raccorder à l'orifice d'entrée d'eau froide du mitigeur. Raccorder l'autre extrémité du flexible à la pièce en T.

- **Si votre nécessaire est fourni avec un tuyau en acier inoxydable ondulé**, placer la rondelle incluse entre la conduite d'alimentation en eau froide de la pièce en T et le flexible.*



4. Raccorder la conduite d'alimentation en eau froide du système à l'orifice d'entrée de la pièce en T et la conduite de sortie d'eau chaude du système à l'orifice de sortie du mitigeur thermostatique, comme montré.



5. Avec un thermomètre, tester la température de l'eau mélangée à la sortie la plus proche alimentée par le mitigeur. Il doit être ouvert de manière à permettre un débit minimal de 6 l/min (1,5 g/min). Laisser couler l'eau pendant au moins une minute pour s'assurer que la température de l'eau mélangée est bien réglée.



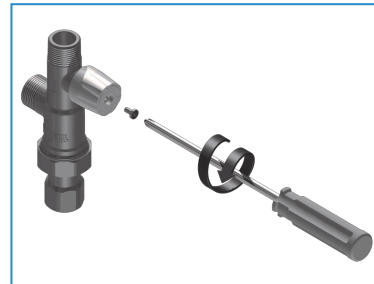
Bande thermomètre

- La bande thermomètre incluse dans ce nécessaire peut être utilisée pour indiquer la température de l'orifice de sortie du mitigeur thermostatique à la maison.
- Elle ne doit pas être utilisée pour régler la température de sortie du mitigeur; celle-ci doit être réglée selon les instructions de réglage fournies.
- Pour installer la bande thermomètre, peler la pellicule adhésive et coller la bande au tuyau de sortie du mitigeur thermostatique à au moins 25 cm (10 po) du raccordement de l'orifice de sortie.
- Pour que la bande thermomètre fonctionne correctement, elle doit être installée sur un tuyau en cuivre ou en acier galvanisé.

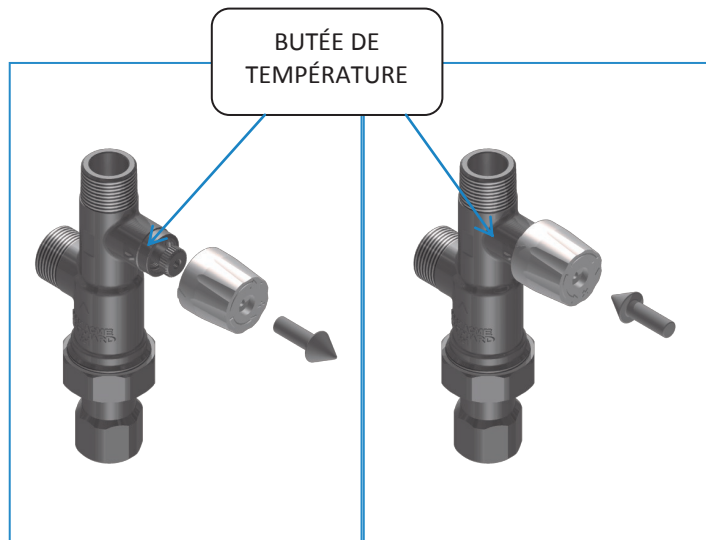
Réglage de la température de sortie de l'eau mélangée pour le Tank Booster (capuchon blanc)

**Avant de régler le mitigeur, il est nécessaire que la source d'eau chaude soit activée et qu'elle distribue de l'eau chaude à la température prévue.

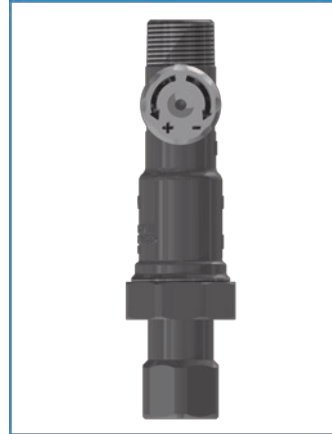
1. Enlever l'autocollant sur le bouton de réglage et dévisser la vis qui retient le bouton avec un tournevis à tête cruciforme.



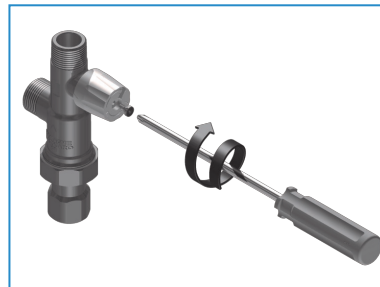
2. Retirer le bouton de l'axe et le remplacer par le bouton à entrée de clé (marqué d'un triangle sur le bouton) en le tournant à gauche de la butée de température pour augmenter la température, ou à droite de la butée pour abaisser la température. Le robinet doit laisser couler de l'eau pendant le réglage de la température de l'orifice de sortie.



3. Tourner le bouton à la température désirée, dans le sens des aiguilles d'une montre pour abaisser la température réglée, ou dans le sens contraire des aiguilles d'une montre pour augmenter la température réglée.



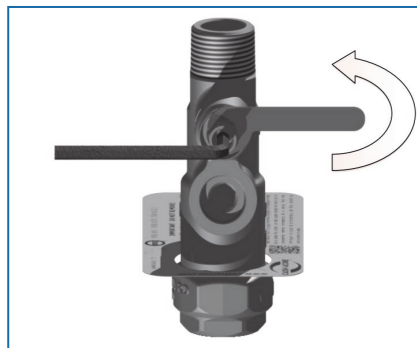
4. Bloquer la température réglée en enlevant le bouton en le remplaçant par le bouton à entrée de clé situé sur la butée de température sur le corps du mitigeur. Remettre la vis de retenue du bouton.



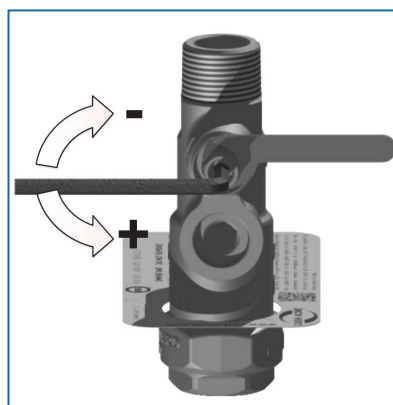
Réglage de la température de sortie de l'eau mélangée pour Tank Booster Pro

**Avant de régler le mitigeur, il est nécessaire que la source d'eau chaude soit activée et qu'elle distribue de l'eau chaude à la température prévue.

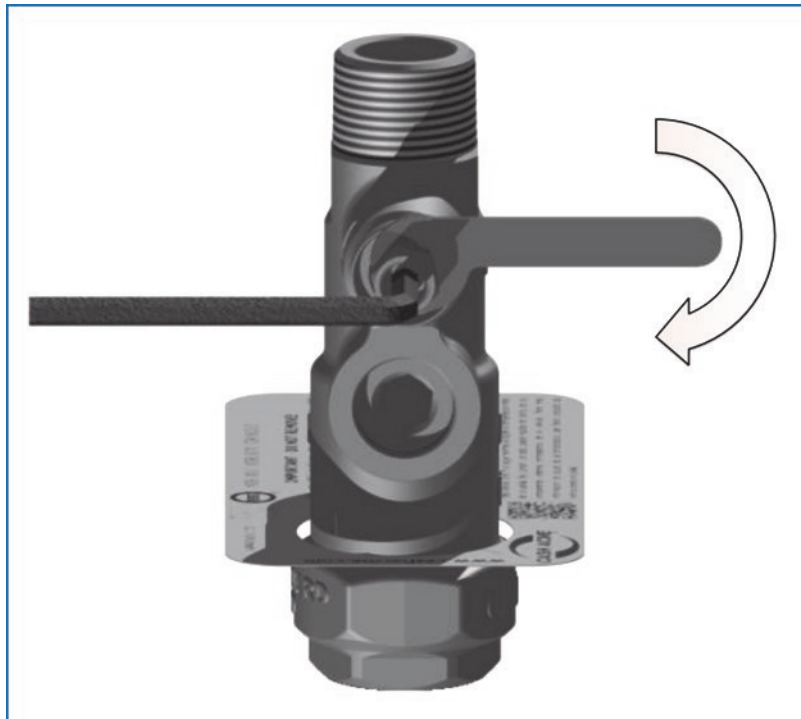
1. En tenant la clé Allen de 3/16 po (fournie), desserrer l'écrou de blocage avec une clé de 7/16 po.



2. En se servant de la clé pour soutenir l'écrou de blocage et l'empêcher de tourner, tourner la clé Allen pour régler la température de l'orifice de sortie - dans le sens des aiguilles d'une montre pour réduire la température et dans le sens contraire pour l'augmenter - jusqu'à ce que la température désirée ait été atteinte. Le robinet doit laisser couler de l'eau pendant le réglage de la température de l'orifice de sortie.



3. En tenant la clé Allen, serrer l'écrou de blocage avec la clé.



Installation de recharge

Le TANK BOOSTER et le TANK BOOSTER PRO peuvent être installés de côté si le dégagement est insuffisant au-dessus du chauffe-eau



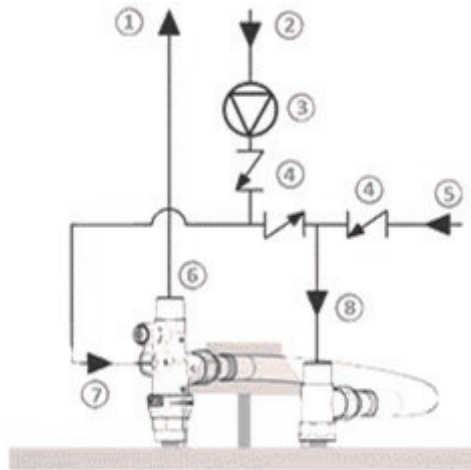
TANK BOOSTER
Installation Instructions
IS279 REV L
2-17-16



INSTALLATION DANS DES SYSTÈMES À RECIRCULATION **TANK BOOSTER PRO UNIQUEMENT**

- Le TANK BOOSTER PRO comprend un port de recirculation pour permettre à l'eau de retour du système de retourner directement dans le mitigeur. Pour utiliser ce port de recirculation, retirer le bouchon obturateur avec une clé Allen (3/8 po)

1. Alimentation en eau tempérée au système
2. Retour d'eau tempérée du système
3. Pompe de circulation
4. Robinet antiretour
5. Alimentation d'eau froide
6. Orifice de sortie du mitigeur
7. Port de recirculation du mitigeur thermostatique
8. Orifice d'entrée d'eau froide



L'installation d'un dispositif de dilatation thermique doit être faite après le robinet antiretour sur la conduite d'eau froide avant l'entrée dans le chauffe-eau.

NOTA : Ce diagramme est fourni uniquement comme guide. Toute installation d'un système à recirculation doit être réalisée par un professionnel compétent, conformément aux codes de plomberie pertinents et aux exigences des autorités d'État, provinciales et locales. Le rendement du système dépendra des autres composants précisés qui en font partie.

4. Dépannage

DÉFAUT / SYMPTÔME	CAUSE	CORRECTION
<ul style="list-style-type: none"> La température d'eau mélangée désirée ne peut être obtenue ou le mitigeur est difficile à régler. 	<ul style="list-style-type: none"> Les températures d'entrée d'eau ne sont pas dans les limites précisées. Les conduites d'alimentation d'eau chaude et d'eau froide sont inversées Les filtres sont bloqués. 	<ul style="list-style-type: none"> S'assurer que les températures de l'orifice d'entrée dans les limites précisées pour le mitigeur. Réinstaller le mitigeur avec des conduites d'eau chaude/froide sur les bons raccordements. Nettoyer les filtres.
<ul style="list-style-type: none"> La température de mélange est instable ou change à la longue. 	<ul style="list-style-type: none"> Les filtres sont bloqués. Fluctuation des pressions d'alimentation. 	<ul style="list-style-type: none"> Nettoyer les filtres. Installer des régulateurs de pression sur les conduites d'alimentation d'eau chaude et d'eau froide.
<ul style="list-style-type: none"> De l'eau froide seulement ou chaude seulement coule du robinet de sortie. 	<ul style="list-style-type: none"> Le mitigeur n'est pas réglé correctement. Les conduites d'alimentation d'eau chaude et d'eau froide sont inversées L'eau chaude/froide a migré à l'autre orifice d'entrée. Se reporter aussi au point 1. 	<ul style="list-style-type: none"> Régler les températures de mélange comme exigées. Réinstaller le mitigeur avec des conduites d'eau chaude/froide sur les bons raccordements. Vérifier que le robinet antiretour n'est pas encrassé. Nettoyer au besoin.

DÉFAUT / SYMPTÔME	CAUSE	CORRECTION
<ul style="list-style-type: none"> Aucun débit de la sortie du mitigeur. 	<ul style="list-style-type: none"> Défaillance des conduites d'alimentation en eau chaude ou eau froide. Les filtres sont bloqués. 	<ul style="list-style-type: none"> Restaurer les conduites d'alimentation et vérifier la température de l'eau mélangée. Nettoyer les filtres.
<ul style="list-style-type: none"> Débit réduit ou qui fluctue. 	<ul style="list-style-type: none"> Les filtres sont bloqués. Fluctuation des pressions d'alimentation. 	<ul style="list-style-type: none"> Nettoyer les filtres. Installer des régulateurs de pression.
<ul style="list-style-type: none"> La température de l'eau mélangée ne change pas lorsque le régleur de la température est modifié. 	<ul style="list-style-type: none"> Les conduites d'alimentation d'eau chaude et d'eau froide sont inversées 	<ul style="list-style-type: none"> Réinstaller le mitigeur avec des conduites d'eau chaude/froide sur les bons raccords.
<ul style="list-style-type: none"> L'eau chaude coule dans le système d'eau froide et inversement. 	<ul style="list-style-type: none"> Robinets antiretour encrassés. 	<ul style="list-style-type: none"> Nettoyer les robinets antiretour pour s'assurer que les débris ont été éliminés.
<ul style="list-style-type: none"> Le mitigeur est bruyant. 	<ul style="list-style-type: none"> Vélocité excessive de l'eau. Taille incorrecte du mitigeur. 	<ul style="list-style-type: none"> Réduire la vitesse de l'eau (meilleurs résultats obtenus en installant un régulateur de pression). Vérifier les spécifications du mitigeur et s'assurer que le mitigeur approprié est utilisé

5. Information sur la garantie

Garantie limitée – Produits SharkBite® et Cash Acme®

Catégorie	Sous-catégorie	Période de garantie (à partir de la date de début)	Commentaires
Raccords universels instantanés en laiton SharkBite et raccords instantanés de grand diamètre SharkBite 2XL	Raccords	Vingt-cinq (25) ans	Doit être utilisé avec : Cuivre-tube en cuivre étiré à froid ASTM B 88 K, L et M PEX–ASTM f876/CSA b137.5 CPVC–ASTM D2846 ou CSA B137.6 PE-RT–ASTM F2769
	Raccords	Cinq (5) ans	Doit être utilisé avec : HDPE SDR-9 ASTM D2737
Tuyau Pex SharkBite	-	Vingt-cinq (25) ans	Doit être utilisé avec : RACCORDS ASSE 1061, ASTM F1807, ASTM F2098 OU ASTM F2159
Raccords cannelés SharkBite	Raccords cannelés laiton PEX/ Manifold en cuivre	Cinq (5) ans	Doit être utilisé avec : PEX – Bagues de sertissage en cuivre ASTM F876/CSA B137.5 – Colliers de serrage en acier inoxydable ASTM F1807 – ASTM F2098
	Raccords cannelés poly PEX	Cinq (5) ans	Doit être utilisé avec : Bagues de sertissage en cuivre PEX – ASTM F876/CSA B137.5 – ASTM F2159
	Outils d'ébavurage PEX	Un (1) an	À partir de la date d'achat.

TANK BOOSTER
Installation Instructions
IS279 REV L
2-17-16



Catégorie	Sous-catégorie	Période de garantie (à partir de la date de début)	Commentaires
Produits Cash Acme	Mitigeurs thermostatiques	Cinq (5) ans	Doit être installé selon les instructions d'installation.
	Autre produit Cash Acme	Deux (2) ans	Doit être installé selon les instructions d'installation.
Soupapes avec raccords instantanés B SharkBite Clapets à bille, boyaux d'alimentation, robinets d'arrêt d'alimentation	Clapets à bille, boyaux d'alimentation, robinets d'arrêt d'alimentation	Deux (2) ans	Doit être installé selon les instructions d'installation.
Soupapes avec raccords instantanés SharkBite (suite)	Mitigeurs thermostatiques	Cinq (5) ans	Doit être installé selon les instructions d'installation.
	Autre produit Cash Acme	Deux (2) ans	Doit être installé selon les instructions d'installation.
	Raccordement SharkBite	Vingt-cinq (25) ans	Doit être utilisé avec : Cuivre-tube en cuivre étiré à froid ASTM B 88 K, L et M PEX – ASTM F876/CSA B137.5 CPVC - ASTM D 2846 OU CSA B137.6
	Raccordement SharkBite	Cinq (5) ans	Doit être utilisé avec : HDPE SDR-9 ASTM D2737



Que couvre cette garantie?

La garantie est soumise aux conditions décrites dans cette déclaration. RCW (Reliance Worldwide Corporation aux États-Unis et Reliance Worldwide Corporation [Canada] Inc. au Canada) garantit aux propriétaires immobiliers aux États-Unis et au Canada que les produits SharkBite® et Cash Acme®, utilisés conformément aux exigences stipulées ci-dessous sont exempts de tout défaut matériel et de fabrication pendant la période de garantie applicable. Cette garantie limitée est en vigueur pour les installations effectuées après le 1^{er} juillet 2015 et s'applique au produit installé dans le pays dans lequel il a été acheté. Une preuve d'achat est exigée pour valider la période de garantie; si cette dernière n'est pas disponible, la période de garantie sera établie par défaut à la date de fabrication de chaque produit.

Quelles sont les conditions de cette garantie?

Tous les produits doivent être installés conformément à tous les codes applicables, aux bonnes pratiques de plomberie et à toutes les exigences locales, régionales, provinciales ou fédérales. L'installation doit être faite pour une application d'eau potable ou de chauffage à l'eau chaude par rayonnement, à moins qu'un service d'eau non potable soit spécifiquement permis dans la documentation pertinente sur le produit.

L'installateur doit utiliser des techniques de construction conformes aux codes applicables pour installer les produits et utiliser ceux-ci conformément aux paramètres de conception précisés dans les directives d'installation et les notes techniques du système applicable. Cette disposition comprend les essais de pression sur le terrain avant de couvrir la plomberie avec du béton ou par d'autres moyens. L'installation des produits RCW sans observer les instructions d'installation du fabricant aura pour conséquence d'annuler toutes les garanties applicables et pourrait entraîner de graves dégâts d'eau.

Les produits ne doivent pas être installés dans un système qui peut fonctionner à des températures ou des pressions dépassant les valeurs nominales imprimées sur le produit, l'emballage ou les instructions d'installation.

Sans limiter la portée de ce qui précède, cette garantie limitée ne s'applique pas si la défaillance du produit ou les dommages qui en résultent sont causés par : (a) une preuve d'altération, une manipulation inappropriée, la négligence, les dommages accidentels, le gel (il est explicitement entendu que la défaillance résultant de liquides gelés dans les tuyaux ne constitue pas un défaut matériel ou de fabrication et ne sera pas couverte par cette garantie) ou les modifications ou réparations qui peuvent causer des dommages aux produits RCW sous garantie; (b) l'exposition à des produits chimiques ou substances dommageables, non autorisés ou non anticipés, ou à des conditions d'eau corrosives; (c) l'exposition aux rayons ultraviolets; (d) une mauvaise installation, y compris l'inobservation des instructions d'enfouissement appropriées; (e) les dommages causés par des conditions de fonctionnement inadéquates; (f) des composants non fabriqués par RCW et (g) des catastrophes naturelles comme des séismes, un incendie, une inondation ou la foudre.

Bien que RCW fournisse un système de plomberie visant à faciliter une installation complète, des tuyaux et/ou raccords d'autres fabricants peuvent être posés dans n'importe quelle installation, à condition que leur fabrication soit conforme aux normes de l'ASTM/CSA applicables et que le produit ait été certifié par un organisme d'essais tiers reconnu. Le produit RCW dans l'installation donnée continuera d'être couvert par cette garantie limitée, bien que des limites puissent s'appliquer sur la période couverte. RCW ne sera responsable que pour les produits RCW pour lesquels une preuve de vice matériel ou de fabrication a été établie. Les problèmes liés aux produits fabriqués par une autre société doivent être signalés au fabricant en question. RCW ne garantit pas l'intégrité ou les compétences de l'entrepreneur/installateur.

TANK BOOSTER
Installation Instructions
IS279 REV L
2-17-16



Comment fait-on pour obtenir un service?

Pour être admissible au service en vertu de cette garantie limitée, vous devez retourner le produit défectueux (frais d'expédition prépayés) au lieu d'achat d'origine dans les trente (30) jours après avoir détecté la défaillance ou le vice supposé s'étant produit pendant la période de garantie applicable. Vous devez aussi fournir le numéro de modèle du produit, la date d'achat originale, une preuve d'achat et une explication de la nature du problème. Les produits retournés dont les frais d'expédition n'ont pas été payés seront refusés. Pour toute question ou demande au fabricant, contactez le 1 877 700-4242 aux États-Unis et le 1 888 820-0120 au Canada.

Que fera RWC?

Si le produit couvert par cette garantie est déclaré défectueux en raison d'un vice matériel ou de fabrication pendant la période de garantie précisée, nous réparerons ou remplacerons le produit défectueux, à notre discrétion et sans frais pour le client, pendant les heures ouvrables normales et par l'entremise d'un établissement commercial comme déterminé par RWC. Cette disposition constituera le recours unique et exclusif pour tout vice déclaré.

Qu'est-ce qui n'est pas couvert par cette garantie limitée?

RWC ne sera pas tenue responsable des dommages accessoires, immatériels, éventuels, dommages-intérêts particuliers et consécutifs, y compris, sans toutefois s'y limiter, la perte de profits ou le coût des réparations ou du remplacement de biens endommagés si ces produits garantis ne fonctionnent pas correctement, les autres coûts résultant des frais de main-d'œuvre, de délais, du vandalisme, de la négligence, de l'encrassement causé par des corps étrangers, de dommages causés par des conditions d'eau indésirables, de milieux chimiques indésirables ou de toute autre circonstance indépendante de la volonté de RWC. Cette limite s'applique même si RWC aurait pu prévoir ou a été informée de la possibilité de tels dommages. Cette garantie sera nulle en cas d'usage inapproprié, d'abus, d'une application ou installation inappropriée du produit.

Comment s'applique la loi d'État/provinciale?

Certains États ou provinces ne permettent pas les limites imposées sur la durée d'une garantie implicite, tandis que d'autres ne permettent pas l'exclusion ou les limites imposées sur les dommages accessoires ou consécutifs. Par conséquent, les limites décrites ci-dessus peuvent ne pas s'appliquer à votre situation. Cette garantie limitée vous confère des garanties juridiques particulières et vous pourriez bénéficier d'autres droits qui varient en fonction de l'État ou de la province où vous résidez. Vous devez consulter les lois applicables à votre État ou votre province afin de déterminer vos garanties. CONFORMÉMENT À

LA LOI D'ÉTAT/PROVINCIALE/FÉDÉRALE EN VIGUEUR, LA GARANTIE EXPRESSE STIPULÉE AUX PRÉSENTES EST LA SEULE FOURNIE PAR RWC CONCERNANT LES PRODUITS SharkBite® ET CASH ACME®. RWC NE FAIT AUCUNE AUTRE GARANTIE, EXPRESSE OU IMPLICITE ET, PAR CONSÉQUENT, DÉNIE SPÉCIFIQUEMENT AUX PRÉSENTES TOUTE AUTRE GARANTIE EXPRESSE OU IMPLICITE INCLUANT, SANS TOUTEFOIS S'Y LIMITER, TOUTE GARANTIE DE QUALITÉ MARCHANDE OU D'ADÉQUATION À UN USAGE PARTICULIER.

Pour la version la plus récente de la garantie, aller à www.chasacme.com.



TANK BOOSTER™

¡Obtenga más agua caliente!

HEATGUARD SERIES 020 Y 021

Instrucciones de instalación

Índice

1. Precauciones de seguridad
2. Especificaciones técnicas
3. Guías de instalación
4. Resolución de problemas
5. Información sobre la garantía

TANK BOOSTER
Installation Instructions
IS279 REV L
2-17-16



Para Tank Booster y Tank Booster Pro El instalador debe proporcionar la información siguiente y dejar estas instrucciones al cliente.

Instalado por _____

Fecha: _____

Presión en la válvula: _____ PSI / kPa

Temperatura de la mezcla: _____ °F / °C

Deje una copia de estas instrucciones al cliente como futura referencia.

Recomiende al cliente que se compruebe anualmente la válvula para asegurar su función continuada.



1. Precauciones de seguridad:

- Riesgo de escaldado: El agua a más de 125 °F (52 °C) puede causar quemaduras graves, ocasionando lesiones graves o la muerte.
- El riesgo de escaldado puede reducirse a 120 °F- 125 °F (49 °C - 52 °C), pero incluso a 120 °F (49 °C) el agua puede causar lesiones de escaldado (vea el cuadro siguiente):

Relación de tiempo/temperatura en escaldados

Temperatura	Tiempo para una quemadura de primer grado leve	Tiempo para una quemadura de segundo grado permanente
120 °F (49 °C)	3 minutos	9 minutos
122 °F (50 °C)	1 minuto	5 minutos
126 °F (52 °C)	30 segundos	90 segundos
131 °F (55 °C)	5 segundos	25 segundos
140 °F (60 °C)	2 segundos	5 segundos
149 °F (65 °C)	1 segundo	2 segundos
154 °F (68 °C)	Instantánea	1 segundo

- Las temperaturas del termostato (control de temperatura) del calentador de agua no deben fijarse nunca a más de 120 °F (49 °C) sin una válvula termostática en funcionamiento debidamente instalada y puesta en servicio.
- No deje a niños, ancianos o personas discapacitadas sin atender en una bañera o una ducha.
 - No se fíe nunca de la temperatura del agua caliente
 - Pruebe siempre con la mano el agua caliente antes de usarla, especialmente cuando bañe a bebés y niños pequeños.
 - Dejar a un niño sin supervisar en la bañera, incluso durante un solo segundo, podría ser la causa de lesiones graves o la muerte.
 - No deje nunca que los niños pequeños usen una llave de agua caliente o llenen la bañera.
 - Su presencia en todo momento es la mejor defensa contra accidentes y escaldados de niños, ancianos o personas discapacitadas.
 - La temperatura a la que se produce una lesión varía con la edad y el tiempo de exposición de la persona. El tiempo de respuesta más lento de niños, ancianos o personas discapacitadas aumenta los riesgos para ellos.





Advertencia: Si se retira, desconecta del servicio o se sospecha que es defectuosa la válvula termostática TANK BOOSTER o Tank Booster (PRO), ponga inmediatamente el ajuste del calentador de agua a un valor que no sea mayor que 120 °F (49 °C) según las instrucciones del fabricante del calentador de agua.

- La válvula TANK BOOSTER es una válvula limitadora de temperatura. Debe instalarse y ponerse en servicio según las instrucciones del fabricante.
- La instalación o el mantenimiento indebidos pueden causar temperaturas del agua de salida que no son seguras y ocasionar una lesión inmediata o la muerte.

2. Especificaciones técnicas:

Temperatura de salida fijada en fábrica:	115 °F - 120 °F (46 °C - 49 °C)	
Gama de temperaturas de salida ajustables :	90 °F– 130 °F (32 °C– 54 °C)	
Temperatura de suministro caliente:	120 °F - 180°F (48.9 °C - 82 °C)	
Temperatura de suministro fría:	39 °F - 80°F (5 °C - 27 °C)	
Estabilidad de temperaturas (nominal) :	± 5°F ¹ (± 3°C)	
Presión hidrostática :	150 psi máx (1030 kPa)	
Variación de presión de suministro permitida :	±20% (máx) ²	
Caudal a una pérdida de presión de 45 psi :	11 gpm (42 L/min)	
Caudal mínimo :	1 gpm (4 L/min)	

Notas:

1. Probado según ASSE1017.
2. Máxima variación permitida de la presión de suministro para controlar la temperatura de salida con una tolerancia de ±5 °F. Los cambios excesivos en las presiones de suministro pueden causar cambios en la temperatura de salida.

Advertencia de la Proposición 65 de California

Advertencia: Este producto contiene sustancias químicas que le constan al Estado de California que causan cáncer y defectos de nacimiento u otros daños del aparato reproductor. (Instalador: La ley de California requiere que se haga esta advertencia al

3. Guías de instalación

De no cumplir con todos los aspectos de estas instrucciones se puede producir un rendimiento que no es seguro.

Todas las instalaciones deben cumplir con los requisitos de las autoridades estatales, provinciales y locales pertinentes.

Temperatura de suministro:

Cada válvula está fijada en fábrica para una temperatura de salida de 120°F (49 °C), con una temperatura de entrada de agua caliente a 140°F (60°C).*

Para lograr el máximo rendimiento de suministro de agua caliente

Para lograr el rendimiento máximo de suministro de alta temperatura, la TANK BOOSTER debe instalarse primero en el calentador de agua según estas instrucciones. Una vez instalada, consulte las instrucciones del calentador de agua y aumente la temperatura del dispositivo de control a unos 140 °F (60°C). Esto tiene la ventaja adicional de ser una temperatura determinada por la OSHA como suficiente para aniquilar las bacterias Legionella. Verifique la temperatura de salida de la TANK BOOSTER y ajuste según estas instrucciones.

Válvulas antirretorno (retención):

Las válvulas antirretorno están integradas en las entradas de agua fría y caliente de la válvula. Para lograr una función correcta y segura del sistema, asegúrese de que la válvula de retención esté libre de residuos y que funcione correctamente.

***NOTA:** Para asegurar un suministro de agua a la temperatura de mezcla deseada en la salida, el instalador debe ajustar y verificar la temperatura en la salida siguiendo cuidadosamente las instrucciones de la página siguiente.

Enjuague el sistema por completo antes de instalar Tank Booster o Tank Booster Pro:

Es crucial enjuagar la tubería y descargar la residuos antes de instalar la válvula. No enjuagar el sistema debidamente es la causa más común de dificultades en el sistema.

Comprobación:

- Mida y observe todos los parámetros del sitio (presión, temperatura, etc.), y compárelos con las especificaciones de la válvula escogida. Si las condiciones del sitio no cumplen con las especificadas para la válvula, entonces deben rectificarse antes de instalar la válvula.
- La válvula NO DEBE calentarse durante la instalación ya que esto puede dañar los componentes internos de la válvula.
- La válvula NO DEBE instalarse en sistemas suministrados con vapor, sino en sistemas de agua solamente.
- La válvula NO DEBE estar congelada. Si la válvula está instalada en una situación donde la congelación es una posibilidad, entonces deberá instalarse un aislamiento adecuado para impedir daños en la válvula.
- NO use una cantidad excesiva de sellante de roscas (en forma de líquido, cinta u otra forma) ya que eso puede hacer que falle la válvula.



COMPROBACIÓN / SERVICIO DE LA VÁLVULA DE MEZCLA



Observe que esta válvula de mezcla termostática sea una **VÁLVULA DE SEGURIDAD**. Recomendamos comprobar la válvula al menos una vez al año para asegurar su función continuada. Para instalaciones con agua de mala calidad o de calidad desconocida, u otras condiciones de suministro adversas, tal vez sea necesario comprobar la válvula a intervalos más frecuentes.

La temperatura debe comprobarse en la misma salida según se usó para la puesta en servicio en el primero caso. Si la temperatura es 5 °F (3°C) mayor que la temperatura de puesta en servicio, consulte la guía de resolución de problemas en la Sección 4.

Puede haber cierta variación en la temperatura del agua con respecto a la válvula de mezcla termostática debido a variaciones de temperatura estacionales en el suministro de agua fría.

Se puede tener un acceso a la válvula de retención para la limpieza quitando las uniones.

PROCEDIMIENTO DE INSTALACIÓN – TANK BOOSTER Y TANK BOOSTER PRO

(Nota: La Tank Booster tiene una tapa blanca y la Tank Booster Pro viene sin una tapa blanca)

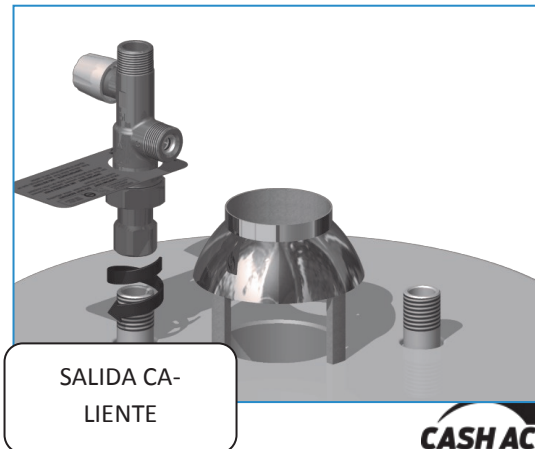
- Antes de conectar la te y la válvula de mezcla al calentador de agua, es importante considerar la alineación requerida para permitir la conexión de la te a la válvula de mezcla con la manguera flexible, y la colocación de la válvula de mezcla para permitir un acceso sencillo para el ajuste. También se debe considerar la posición del orificio de recirculación*.
- Aísle el agua que entra y sale del calentador de agua cerrando las válvulas de corte cercanas o drenando las tuberías.

1. Aplique cinta de sellado a las conexiones caliente y fría del calentador de agua. Conecte el extremo de la unión de la válvula a la salida caliente del calentador de agua, alineando según sea necesario, y después apriete.

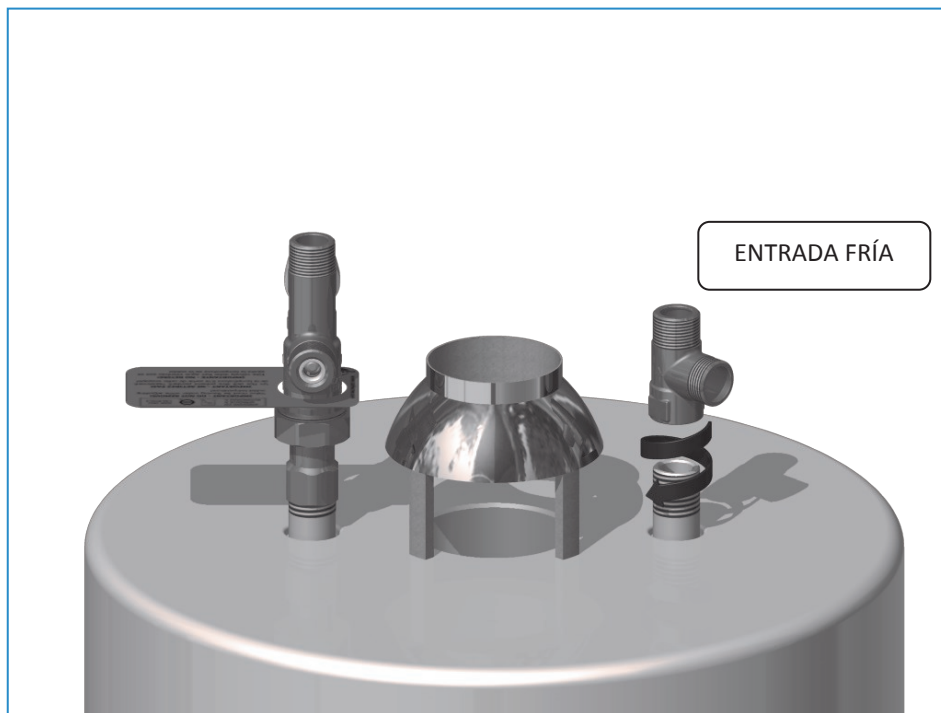
- Para la Tank Booster Pro, conecte el extremo no ranurado de la unión a la salida caliente del calentador de agua.

- Coloque un sello de colador (lado abultado hacia el calentador) en la unión y después enrosque la tuerca en la válvula de mezcla en la orientación mostrada.

* Se encuentra solamente en la Tank Booster Pro

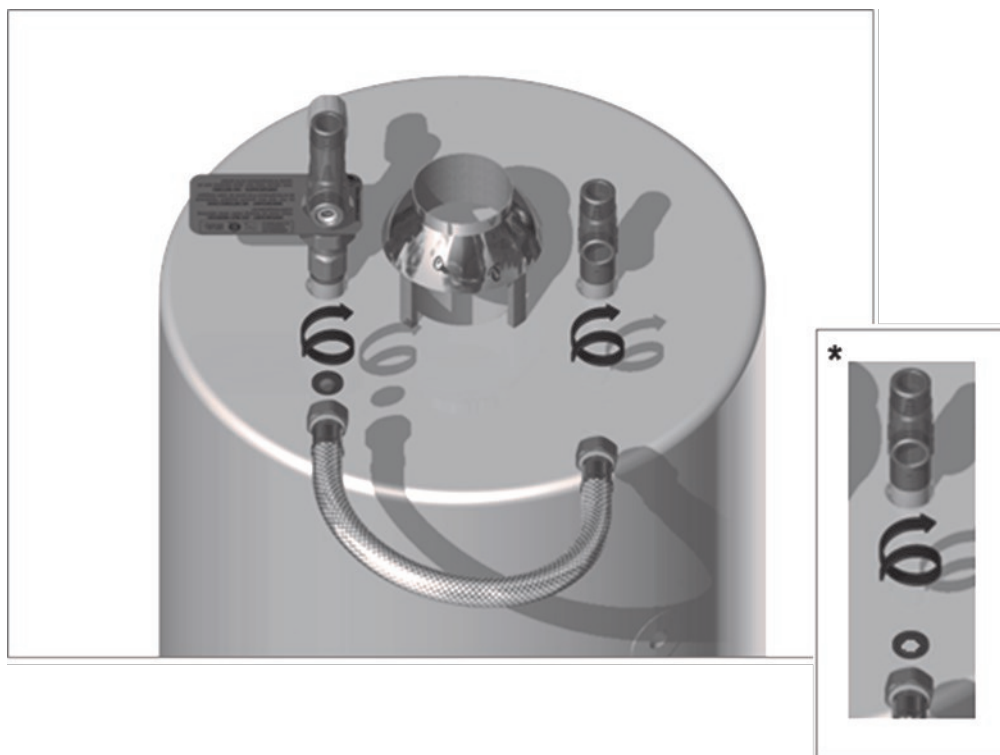


2. Conecte la te a la entrada fría del calentador de agua, asegurándose de que su conexión de válvula de mezcla esté alineada para permitir la conexión con la válvula de mezcla por medio de la manguera flexible.

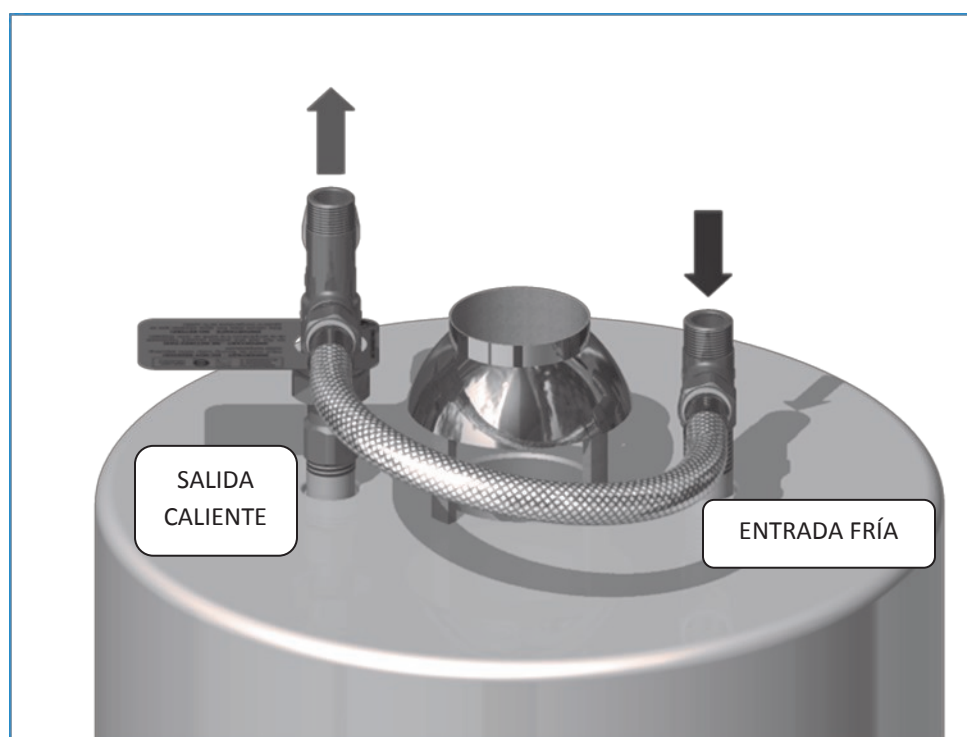


3. Coloque un sello de colador en un extremo de la manguera flexible (lado abultado hacia la manguera flexible) y conecte este extremo de la manguera flexible a la entrada fría de la válvula de mezcla. Conecte el otro extremo de la manguera flexible a la te.

- Si su kit viene con la manguera corrugada de acero inoxidable, coloque la arandela incluida entre el suministro de entrada fría a la entrada de la te y a la manguera.*



4. Conecte el suministro de entrada de agua fría del sistema a la entrada de la te y el suministro de salida de agua caliente del sistema a la salida de la válvula de mezcla, según se muestra.



5. Use un termómetro para probar la temperatura del agua de mezcla en la salida más cercana que es suministrada por la válvula. Esta se debe abrir para permitir una caudal mínimo de 1.5 gpm (6 L/min). Deje que el agua circule durante al menos un minuto para asegurarse de que se haya asentado la temperatura del agua de mezcla.



Thermo-strip

La thermo-strip incluida en este juego puede usarse para indicar la temperatura de salida de la válvula de mezcla a la casa.

No debe usarse para fijar la temperatura de salida de dispositivo de mezcla; esto debe efectuarse según se indica en las instrucciones de ajuste de temperatura.

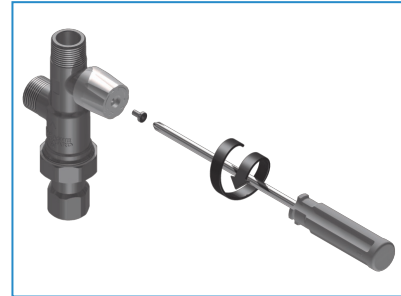
Para instalar la thermo-strip, quite el respaldo adhesivo y aplique la thermo-strip a la tubería de salida de la válvula de mezcla a no menos de 10" de la conexión de salida.

Para que la thermo-strip opere correctamente, debe instalarse solamente en tubo de cobre o galvanizado.

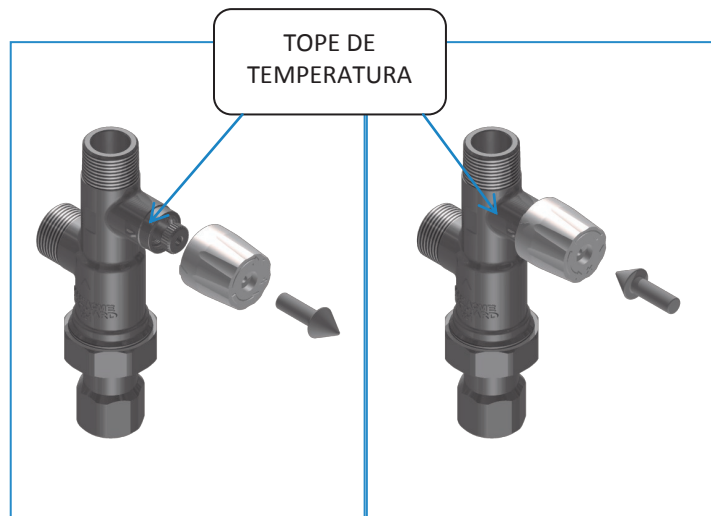
Ajuste de la temperatura del agua de mezcla de salida para la Tank Booster (tapa blanca)

**Antes de ajustar la válvula es necesario que la fuente de agua caliente se abra y suministre agua caliente a la temperatura de diseño.

1. Quite el adhesivo de la perilla de ajuste y desenrosque el tornillo de fijación de la perilla con un destornillador Phillips.



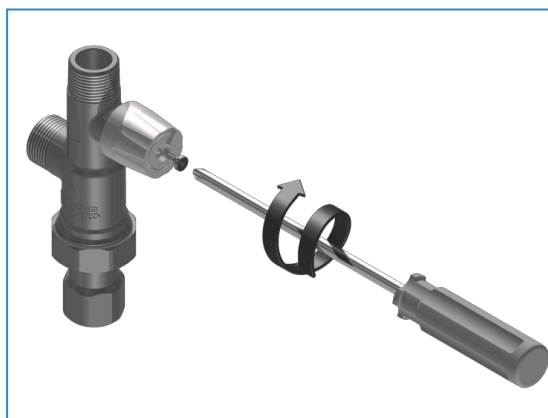
2. Levante la perilla del eje de ajuste y después reemplace por el chavetero de la perilla (marcado con un triángulo en la perilla) a la izquierda del tope de temperatura para aumentar la temperatura, o a la derecha al tope de temperatura para disminuir la temperatura. Debe circular agua por la válvula mientras se ajusta la temperatura de salida.



3. Gire la perilla para seleccionar la temperatura deseada, a la derecha para disminuir la temperatura fijada, o a la izquierda para aumentar la temperatura fijada.



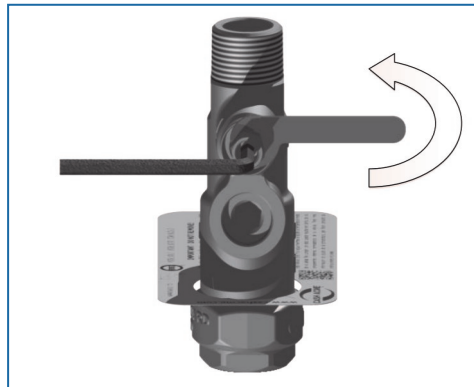
4. Bloquee la nueva temperatura fijada quitando la perilla y reemplazándola por el chavetero de la perilla ubicado en el tope de temperatura del cuerpo de válvula. Reemplace el tornillo de fijación de la perilla.



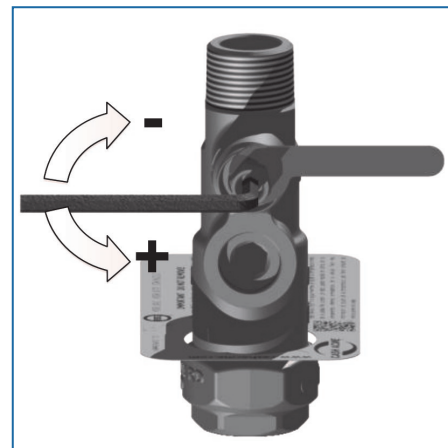
Ajuste de la temperatura del agua de mezcla de salida para la Tank Booster Pro

**Antes de ajustar la válvula es necesario abrir la fuente de agua caliente y suministre agua caliente a la temperatura de diseño.

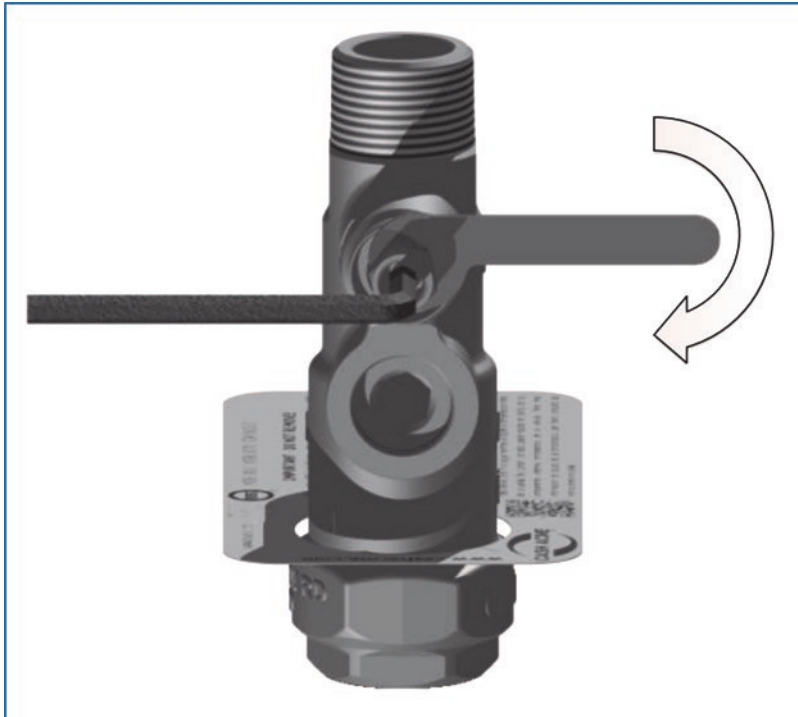
1. Sujete la llave Allen de 3/16" (suministrada) para aflojar la tuerca de traba con una llave de 7/16".



2. Use la llave para sujetar la tuerca de traba e impedir que gire con el fin de girar la llave Allen para ajustar la temperatura de salida – a la derecha para reducir la temperatura, a la izquierda para aumentar la temperatura – hasta que se alcance la temperatura deseada. Debe circular agua por la válvula mientras se ajusta la temperatura de salida.



3. Sujete la llave Allen para apretar la tuerca de traba con la llave.



Instalación alternativa

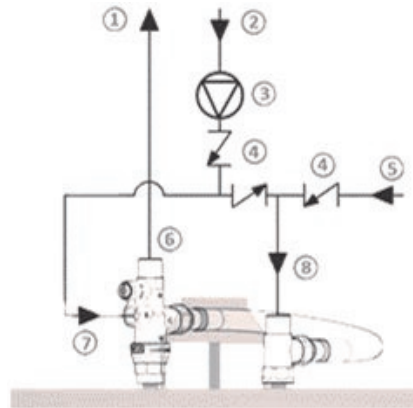
Se pueden instalar las TANK BOOSTER y TANK BOOSTER PRO de lado si no hay un espacio de separación por encima del calentador de agua.



INSTALACIÓN EN SISTEMAS RECIRCULADOS **TANK BOOSTER PRO SOLAMENTE**

La TANK BOOSTER PRO incluye un orificio de recirculación para permitir que el agua de retorno del sistema se conecte directamente de nuevo a la válvula de mezcla. Para usar este orificio de recirculación, quite el tapón obturador usando una llave Allen (3/8")

1. Suministro de agua templada al sistema
2. Retorno de agua templada al sistema
3. Bomba de circulación
4. Válvula antirretorno
5. Suministro de agua fría
6. Salida de mezcla
7. Orificio de recirculación de la válvula de mezcla
8. Entrada fría



Se debe instalar un dispositivo de expansión térmica después de la válvula antirretorno en el suministro de agua fría antes de que entre en el calentador de agua.

NOTA: Este diagrama es una guía solamente. Cualquier instalación de un sistema de recirculación debe ser efectuada por un especialista capacitado, y según los códigos pertinentes y los requisitos de las autoridades estatales, provinciales y locales. El rendimiento del sistema dependerá de los otros componentes especificados en él.

4. Resolución de problemas

FALLA / SÍNTOMA	CAUSA	RECTIFICACIÓN
<ul style="list-style-type: none"> No se puede obtener la temperatura deseada del agua de mezcla o es difícil fijar la válvula. 	<ul style="list-style-type: none"> Las temperaturas de entrada no cumplen con los límites específicos. Los suministros caliente y frío están invertidos. Los coladores están bloqueados. 	<ul style="list-style-type: none"> Asegúrese de que las temperaturas de entrada estén dentro de los límites especificados para la válvula. Equipe la válvula con suministros caliente/frío instalados en las conexiones correctas. Limpie los coladores.
<ul style="list-style-type: none"> La temperatura de mezcla es inestable o varía con el tiempo. 	<ul style="list-style-type: none"> Los coladores están bloqueados. Presiones de suministro fluctuantes. 	<ul style="list-style-type: none"> Limpie los coladores. Instale válvulas de regulación de presión en los suministros de agua caliente y fría.

FALLA / SÍNTOMA	CAUSA	RECTIFICACIÓN
<ul style="list-style-type: none"> • Agua caliente o agua fría máximas saliendo de la conexión de salida. 	<ul style="list-style-type: none"> • La válvula está fijada de modo incorrecto. • Los suministros de agua caliente y fría están invertidos. • El agua caliente/fría ha migrado a otra entrada. • Consulte también el punto 1. 	<ul style="list-style-type: none"> • Ajuste la temperatura de mezcla según sea necesario. • Equipe la válvula con suministros de agua caliente/fría instalados en las conexiones correctas. • Compruebe que la válvula antirretorno de retención no esté sucia. Límpiela si es necesario.
<ul style="list-style-type: none"> • No sale agua por la salida de la válvula. 	<ul style="list-style-type: none"> • Falla de suministro de agua caliente o fría. • Los coladores están bloqueados. 	<ul style="list-style-type: none"> • Restaure los suministros de entrada y compruebe la temperatura de mezcla. • Limpie los coladores.
<ul style="list-style-type: none"> • Caudal reducido o fluctuante. 	<ul style="list-style-type: none"> • Los coladores están bloqueados. • Presiones de suministro fluctuantes. 	<ul style="list-style-type: none"> • Limpie los coladores. • Instale las válvulas de regulación de presión

FALLA / SÍNTOMA	CAUSA	RECTIFICACIÓN
<ul style="list-style-type: none"> La temperatura del agua mezclada no cambia cuando se altera el ajustador de temperatura. 	<ul style="list-style-type: none"> Los suministros de agua caliente y fría están invertidos. 	<ul style="list-style-type: none"> Equipe la válvula con suministros de agua caliente/fría instalados en las conexiones correctas.
<ul style="list-style-type: none"> El agua caliente circula en el sistema de agua fría o viceversa. 	<ul style="list-style-type: none"> Válvulas antirretorno sucias. 	<ul style="list-style-type: none"> Limpie las válvulas antirretorno asegurándose de eliminar los residuos.
<ul style="list-style-type: none"> La válvula hace ruido. 	<ul style="list-style-type: none"> Velocidad excesiva del agua. Tamaño incorrecto de la válvula. 	<ul style="list-style-type: none"> Reduzca la velocidad del agua (la mejor forma de lograrlo es instalando una válvula de regulación de presión). Compruebe las especificaciones de la válvula y asegúrese de que se usa la válvula apropiada para el caudal requerido.

5. Información sobre la garantía

Garantía limitada – Productos SharkBite® y Cash Acme®

Categoría	Subcategoría	Período de garantía (desde la fecha de comienzo)	Comentarios
Conexiones de empuje de latón SharkBite Universal y conexiones de empuje de gran diámetro SharkBite 2XL	Conexiones	Veinticinco (25) años	Deben usarse con: Cobre–Tubo de cobre estirado duro ASTM B 88 tipo K, L y M PEX–ASTM f876/CSA b137.5 CPVC –ASTM D2846 o CSA B137.6 PE-RT–ASTM F2769
	Conexiones	Cinco (5) años	Deben usarse con: HDPE SDR-9 ASTM D2737
Tubo SharkBitePEX	-	Veinticinco (25) años	Deben usarse con: CONEXIONES ASSE 1061, ASTM F1807, ASTM F2098 O ASTM F2159
Conexiones arponadas SharkBite	Conexiones arponadas de latón PEX/Múltiple de cobre	Cinco (5) años	Deben usarse con: PEX – Anillos de engarzado de cobre ASTM F876/CSA B137.5 – anillos de sujeción de acero inoxidable ASTM F1807 – ASTM F2098
	Conexiones arponadas Poly PEX	Cinco (5) años	Deben usarse con: PEX – Anillos de engarzado de cobre ASTM F876/CSA B137.5 – ASTM F2159
	Herramientas arponadas PEX	Un (1) año	Desde la fecha de compra.

Categoría	Subcategoría	Período de garantía (desde la fecha de comienzo)	Comentarios
Todos los productos de Cash Acme	Válvulas de mezcla termostáticas	Cinco (5) años	Debe instalarse según las instrucciones.
	Otras Cash Acme	Dos (2) años	Debe instalarse según las instrucciones.
Válvulas con conexiones de empuje Shark-Bite B Válvulas de bola, mangueras de suministro, topes de suministro	Válvulas de bola, mangueras de suministro, topes de suministro	Dos (2) años	Debe instalarse según las instrucciones.
Válvulas con conexiones de empuje Shark-Bite (cont.)	Válvulas de mezcla termostáticas	Cinco (5) años	Debe instalarse según las instrucciones.
	Otras Cash Acme®	Dos (2) años	Debe instalarse según las instrucciones.
	Conexión Shark-Bite	Veinticinco (25) años	Deben usarse con: Cobre - Tubo de cobre estirado duro ASTM B 88 tipo K, L y M PEX – ASTM F876/CSA B137.5 CPVC - ASTM D 2846 OR CSA B137.6 PE-RT - ASTM F2769
	Conexión Shark-Bite	Cinco (5) años	Deben usarse con: HDPE SDR-9 ASTM D2737



¿Qué cubre esta garantía?

De acuerdo con las condiciones descritas en esta declaración, RWC (en EE.UU., Reliance Worldwide Corporation y en Canadá, Reliance Worldwide Corporation (Canadá) Inc.) garantiza a los propietarios de bienes raíces en Estados Unidos y Canadá que los productos SharkBite® y Cash Acme®, cuando se usan e instalan según los requisitos establecidos abajo, están libres de defectos de material y fabricación durante el período de garantía correspondiente. Esta garantía limitada está vigente en instalaciones efectuadas después del 1 de julio de 2015 y se aplica a productos instalados en el país donde se hizo la compra. Se requiere una prueba de compra para validar el período de garantía; si no se dispone de una prueba de compra, el período de garantía debe ser por omisión la fecha de fabricación de cada producto.

¿Cuáles son las condiciones de esta garantía?

Todos los productos deben instalarse según los códigos correspondientes, buenas prácticas de instalación de tuberías, según los requisitos locales, estatales, provinciales o federales, e instalarse en una aplicación de agua potable o calefacción radiante a menos que se permita un servicio de agua no potable en publicaciones pertinentes del producto.

El contratista de instalación debe usar técnicas de construcción que cumplan con los códigos correspondientes para instalar la gama de productos y usar los productos dentro de los parámetros de diseño especificados en cualquiera de las guías de instalación y notas técnicas para el sistema correspondiente. Esto debe incluir pruebas de presión en el campo antes de cubrir con hormigón u otros medios. De no instalar productos RWC según la instrucción de instalación del fabricante se anularán todas las garantías correspondientes y se podrían ocasionar daños de agua importantes.

Los productos no deben instalarse en un sistema que pueda operar a temperaturas o presiones que excedan los valores nominales impresos en el producto, empacado o instrucciones de instalación.

Sin limitarse a lo anterior, esta garantía limitada no se aplica si la falla del producto o los daños resultantes son causados por: (a) evidencia de manipulaciones indebidas, negligencia, daños accidentales, daños de congelación (se entiende expresamente que la falla como consecuencia de la congelación de fluido dentro de los tubos no constituye un defecto de materiales o fabricación y no debe estar cubierto por esta garantía) o modificaciones o reparaciones no autorizadas que causan daños a los productos garantizados de RWC; (b) exposición a sustancias químicas perjudiciales, sin autorizar o no anticipadas o agua corrosiva; (c) exposición a la luz ultravioleta; (d) instalación defectuosa incluido no seguir las instrucciones apropiadas de soterrado; (e) daños debido a condiciones de operación defectuosas; (f) componentes no fabricados ni vendidos por RWC; y (g) fuerza mayor como terremotos, incendios, inundaciones o tormentas.

Aunque RWC proporciona un sistema de tuberías para facilitar una instalación completa, se pueden instalar tubos y conexiones de otros fabricantes en cualquier instalación dada siempre que la fabricación de los tubos o conexiones demuestre que cumple con las normas ASTM/CSA correspondientes, y el producto haya sido certificado por una tercera agencia de pruebas reconocida. El producto RWC en la instalación dada seguirá estando cubierto por esta garantía limitada aunque se pueden aplicar límites en este período de garantía. RWC será responsable solamente de los defectos demostrados de material o mano de obra en productos RWC. Los problemas en los productos fabricados por otra compañía deben informarse a ese fabricante. RWC no garantiza la integridad o fabricación del contratista/instalados.



¿Cómo se obtiene servicio?

Para tener derecho a servicio según esta garantía limitada, debe devolver el producto defectuoso en un plazo de treinta (30) días después de detectar una falla alegada o un defecto que se produce dentro del período de garantía (con los cargos de envío pagados de antemano) al lugar de compra original. También debe incluir el número de modelo del producto, la fecha de compra original, la prueba de compra y la naturaleza del problema. Se rehusarán los productos devueltos sin cargos de envío pagados de antemano. En caso de que desee hacer preguntas o consultas al fabricante, en EE.UU. llame al 1-877700-4242 y en Canadá al 1-888-820-0120.

¿Qué hará RWC?

Si, después de la inspección, encontramos que un producto cubierto por esta garantía limitada ha fallado debido a un defecto de materiales o fabricación durante el período de garantía especificado, repararemos o reemplazaremos, a nuestra opción exclusiva, de forma gratuita, el producto defectuoso durante las horas de trabajo normales y a través de un lugar de negocios según lo determine RWC. Esto debe constituir el remedio único y exclusivo de cualquier producto defectuoso.

¿Qué no cubre esta garantía?

RWC no debe ser responsable de ningún daño incidental, indirecto, contingente, especial o emergente, incluidos entre otros, beneficios perdidos o el costo de reparación o reemplazo de otras propiedades que sean dañadas si estos productos garantizados no funcionan debidamente, otros costos resultantes de cargos de mano de obra, demoras, vandalismo, negligencia, suciedad debida a materiales extraños, daños en condiciones de agua adversas, entornos químicos adversos o cualquier otra circunstancia sobre la que no se tiene control. Esta limitación se aplica incluso si RWC podría haber previsto o se le hubiera comunicado la posibilidad de estos daños. Esta garantía limitada quedará invalidada por cualquier abuso, uso indebido, aplicación indebida o instalación indebida del producto.

¿Cómo se aplica la ley estatal/provincial?

Algunos estados/provincias no permiten limitaciones sobre la duración de una garantía implícita, y algunos estados/provincias no permiten la exclusión o la limitación de daños incidentales o emergentes. Por lo tanto, es posible que las limitaciones anteriores no se apliquen a usted. Esta garantía limitada le da derechos legales específicos, y usted puede tener otros derechos que varían de un estado/provincia a otro. Debe consultar las leyes estatales/provinciales correspondientes para determinar sus derechos. EN CUANTO SE

RESPECTEN LAS LEYES ESTATALES/PROVINCIALES/FEDERALES CORRESPONDIENTES, LA GARANTÍA EXPLÍCITA AQUÍ ESTABLECIDA ES LA ÚNICA GARANTÍA DADA POR RWC CON RESPECTO A LOS PRODUCTOS SharkBite® Y CASH ACME®. RWC NO DA NINGUNA OTRA GARANTÍA, EXPLÍCITA IMPLÍCITA, Y POR LO TANTO RENUNCIA ESPECÍFICAMENTE A LAS DEMÁS GARANTÍAS, EXPLÍCITAS O IMPLÍCITAS, INCLUIDAS ENTRE OTRAS LAS GARANTÍAS IMPLÍCITAS DE COMERCIALIZACIÓN E IDONEIDAD PARA UN FIN PARTICULAR.

Para obtener la versión más actualizada de la garantía, visite www.cashacme.com.

TANK BOOSTER
Installation Instructions
IS279 REV L
2-17-16



TANK BOOSTER
Installation Instructions
IS279 REV L
2-17-16

