

166-34 HARLOW SEMI-FLUSH INSTALLATION INSTRUCTIONS



WARNING

DISCONNECT POWER BEFORE RE-LAMPING OR WIRING THE FIXTURE
 READ ALL INSTRUCTIONS COMPLETELY BEFORE STARTING INSTALLATION.



CAUTION

- TO AVOID THE RISK OF FIRE OR SHOCK, FIXTURE MUST BE INSTALLED IN COMPLIANCE WITH ALL APPLICABLE NATIONAL AND LOCAL ELECTRICAL/BUILDING CODES.
- INSTALLATION AND MAINTENANCE OF THIS UNIT REQUIRES AN ELECTRICIAN OR CERTIFIED FACTORY TRAINED TECHNICIAN.
- If an existing fixture is being replaced, remove it and note to which of the wires in the outlet box the fixture was attached. DO NOT SEPARATE ANY OTHER WIRES THAT MAY BE IN THE BOX. DO NOT DAMAGE THE INSULATION OF OLDER WIRING. In regular circumstances the BLACK wire will be the "Hot" lead and the WHITE wire will be the "Neutral" or "Common" lead. A GREEN or BARE COPPER wire is the "Ground". In older buildings it is always good practice to reconfirm the polarity of the wiring.

NOTICE

- The important safeguards and instructions outlined on this sheet cannot cover all possible conditions and situations that may occur. It must be understood that common sense, caution and care factors that cannot be built into any product. Caution and care must be supplied by the person(s) installing, operating and caring of this lighting fixture.
- This fixture is designed to be mounted on a correctly installed standard round or octagon box or a through wiring box with a plaster frame. The box must be securely mounted to the structure of the building. The crossbar and hardware supplied should be used. Directly mounting the fixture to the outlet box may make it impossible to correctly align the fixture.
- This fixture is supplied with a swivel. By rotating the canopy the fixture may be mounted to angled ceiling.

FIXTURE PREPARATION

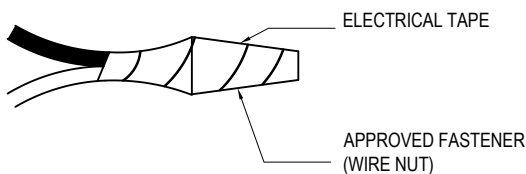
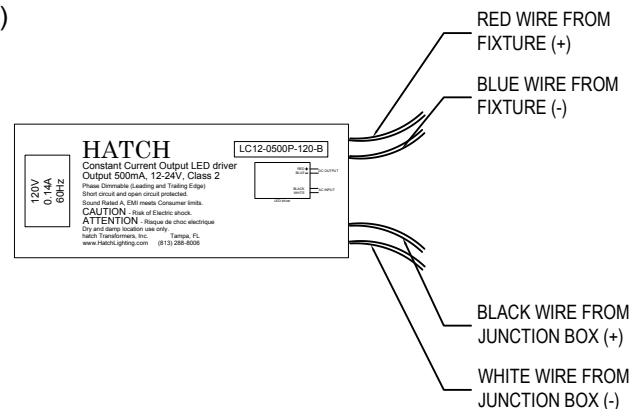
1. Remove the fixture, shade, glass/metal parts and parts bag(s) from the carton.

NOTICE

Before discarding the carton, double check to make certain that all parts are found.

FIXTURE INSTALLATION

1. Place the led driver inside the canopy.
 Fasten the black wire (-) from junction box to LED driver black wire.
 Fasten the white wire (-) from junction box to LED driver white wire.
 (See figure 1)



NOTE: ABOVE TWO WIRES
 CAN BE INTERCHANGE

SEE ALSO DRIVER COLOR CODING

LED LAMP TO LED DRIVER WIRE CONNECTION DETAILS

FIGURE-1

2. Attach the mounting bracket to the outlet box using the mounting screws. (See figure 2).
3. Thread the hex nut onto the nipple and the nipple into the crossbar. Place the canopy over the nipple and against the ceiling. Adjust the nipple so that 1/2" of threads extend beyond the canopy. Tighten the hex nut against the crossbar. Using the cap nut, install the canopy.
6. Adjust the cable wire and attach the cable grip lock to the canopy. Hang the fixture on the cable wire and adjust to the desired height.
7. Thread the lead wires and ground wire up through alternating links of the cable wire until the ceiling is reached.
8. Remove the fixture from the outlet box.
9. Measure 8" lead and ground wire beyond the top of the cable wire. Cut off the excess wire. Strip the insulation off the ends of the leads exposing approximately 1/2" wire. Twist the strands of wire together. Push the leads and ground wire into the canopy.

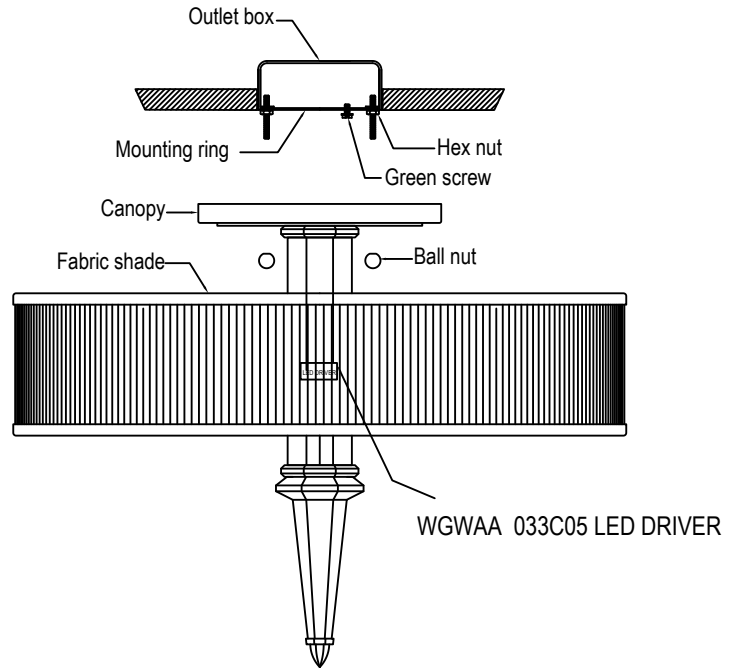


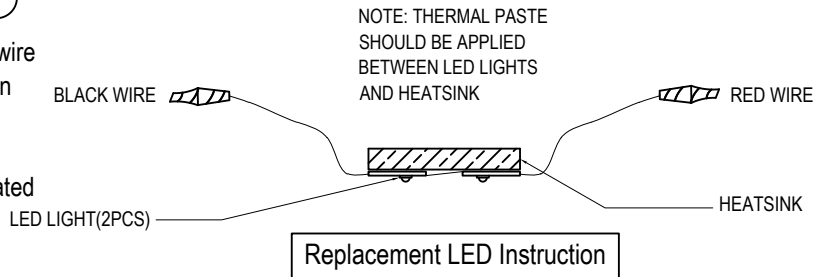
FIGURE-2



WARNING

Make sure that there is no exposed wire or strands that could cause a dangerous short circuit!

10. Fasten the ground wire to the green or bare copper wire in the outlet box (if outlet box is plastic) or to the green screw on the crossbar.
11. Connect by fastening the black wire (+) coming from the fixture into the led driver where as red wire indicated (Refer to the figure 1)



WARNING

Never fasten the ground wire to the black or "hot" wire! Failure to follow this instruction could result in serious injury or death!

12. Connect by fastening the white wire (-) coming from the fixture into the led driver where as blue wire indicated. same as step 11.



WARNING

DO NOT EXCEED RECOMMENDED WATTAGE!

13. Install the lamps (lighting bulbs). NOTE: This fixture is rated for 60 watts candelabra base type B, BA, C or CA lamp.
14. Using the ball nut, loosely fasten the fixture to the mounting plate. Rotate and align the canopy as necessary. Tighten the ball nut.
15. Attach the center stem and place the glass column together with the stainless trim, place the end cap and screw the finial and lock bushing to hold the glass column in place (See figure-3).

NOTICE:

**Must use a incandescent dimmer with LED's on this fixture.
*Lutron Maestro dimmer not compatible.**

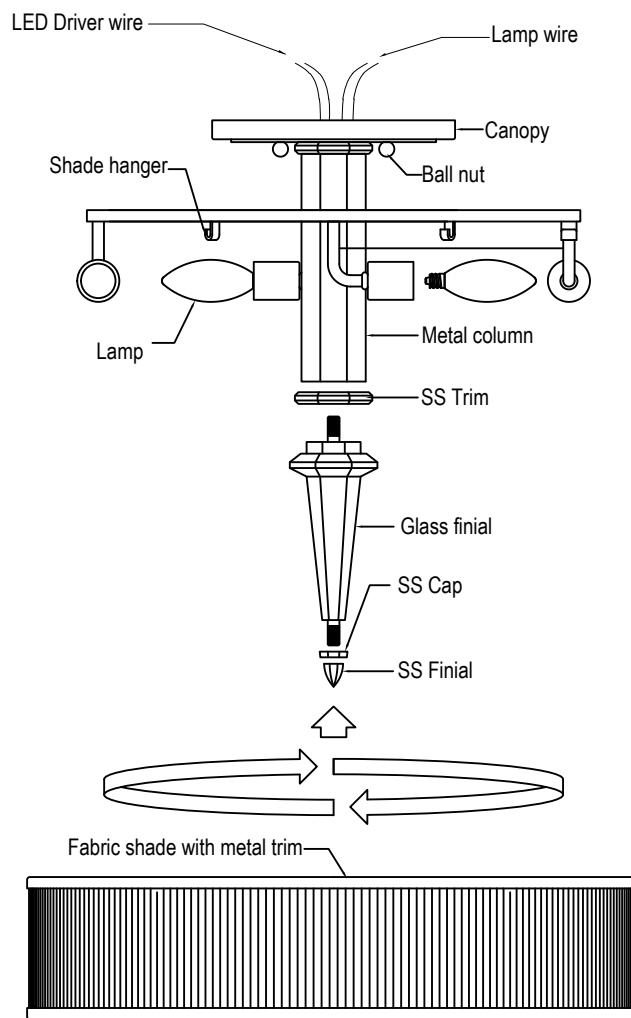


FIGURE-3

16. Restore power to circuit at breaker or fuse box.