

# AFTON SINGLE HANDLE VESSEL FAUCET

Cat. No.  
LFV400



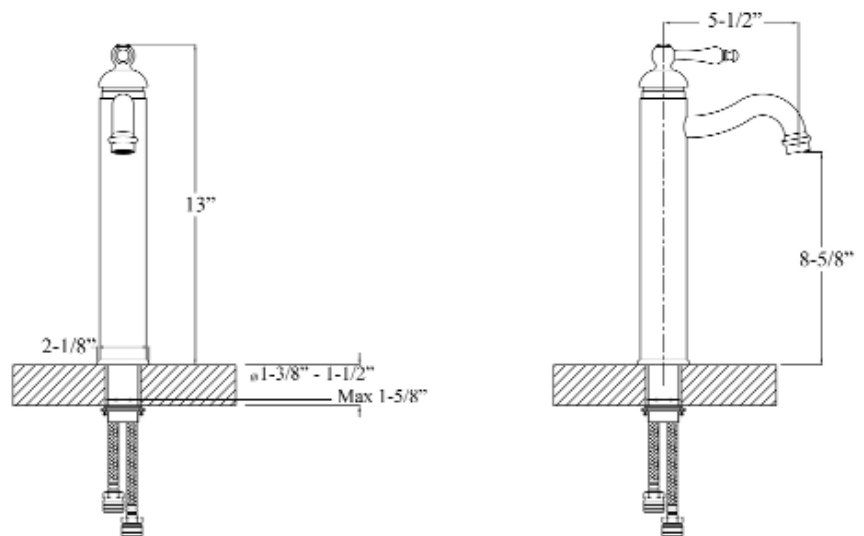
Spout Reach: 5-1/2"  
Height: 13"

## Features:

- ▶ Constructed of solid brass
- ▶ Single handle operation
- ▶ Drain not included
- ▶ Includes 2 braided hoses
- ▶ Hoses have 1/2" male connectors
- ▶ Height to spout 8-5/8"
- ▶ Ceramic disc cartridges
- ▶ Flow rate is 1.2 GPM at 60 psi
- ▶ cUPC/NSF/AB1953 Certified

## Finishes:

- CP** Polished Chrome
- BN** Brushed Nickel
- ORB** Oil Rubbed Bronze



Dimensions of fixture are nominal and may vary. Dimensions and specifications subject to change without notice.