

# COBAR LAVATORY BRIDGE FAUCET

Cat. No.  
LFB502-MC



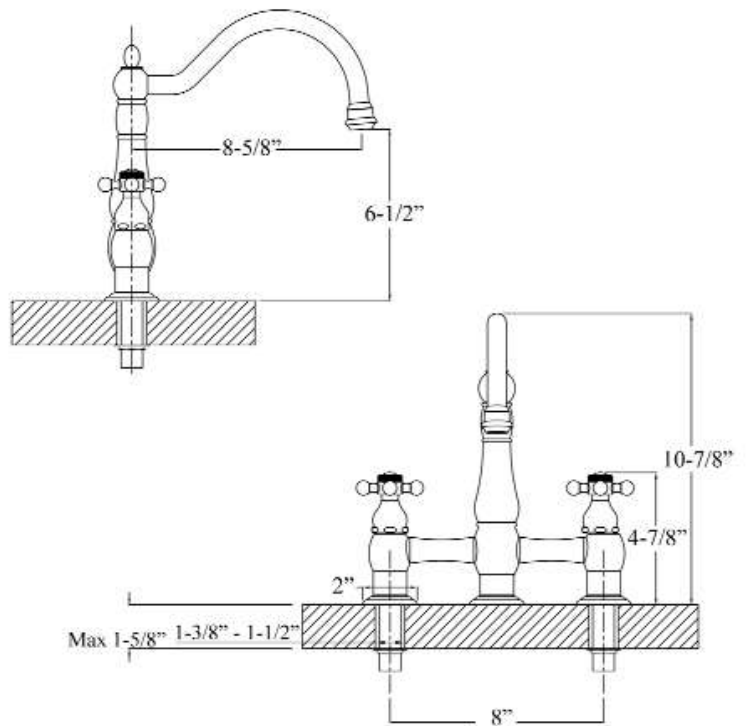
## **Features:**

- ▶ Constructed of solid brass
- ▶ Metal cross handles
- ▶ Swivel spout
- ▶ Decorative bridge design
- ▶ Drain not included
- ▶ Connection hoses not included
- ▶ Centers 8"
- ▶ Height to spout 6-1/2"
- ▶ Height to top of handle 4-7/8"
- ▶ Ceramic disc cartridges
- ▶ Flow rate is 1.2 GPM at 60 psi
- ▶ cUPC/NSF/AB1953 Certified

## **Finishes:**

- CP** Polished Chrome
- BN** Brushed Nickel
- ORB** Oil Rubbed Bronze

Spout Reach: 8-5/8"  
Height: 10-7/8"



Dimensions of fixture are nominal and may vary. Dimensions and specifications subject to change without notice.