

# NIALL SPRING SINGLE HANDLE KITCHEN FAUCET

Cat. No.  
KFS416-L2



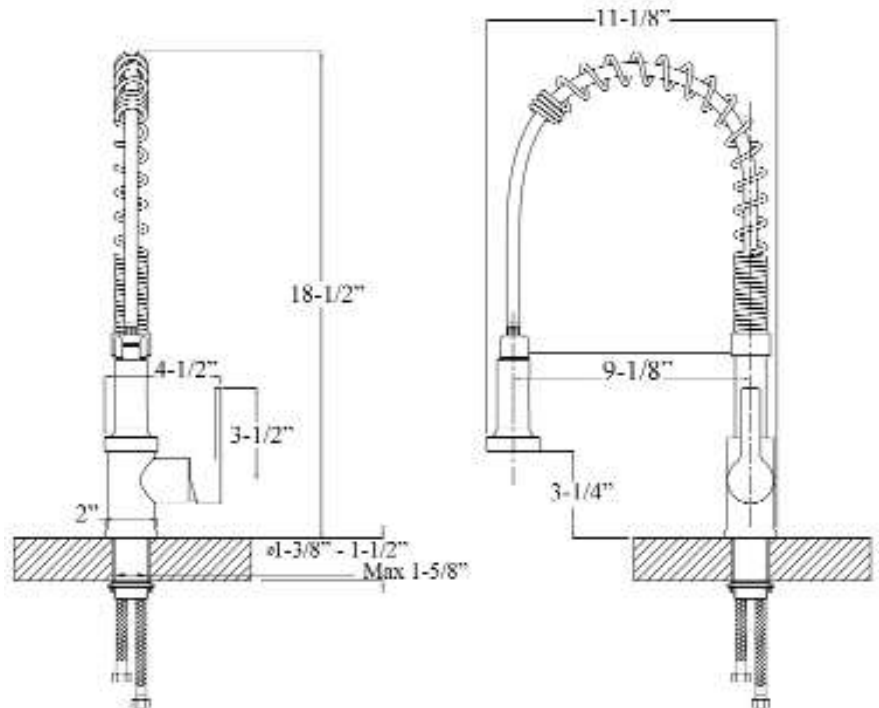
L: 4-1/2"  
W: 11-1/8"  
H: 18-1/2"

## Features:

- ▶ Constructed of solid brass
- ▶ Spring gooseneck spout
- ▶ Magnetic pull down spray
- ▶ Includes 2 braided hoses
- ▶ Hoses have 1/2" male connectors
- ▶ Ceramic disc cartridges
- ▶ Height to spout 3-1/4"
- ▶ Spout reach 9-1/8"
- ▶ Flow rate is 1.8 GPM at 60 psi
- ▶ cUPC/NSF/AB1953 Certified

## Finishes:

- CP** Polished Chrome  
**BN** Brushed Nickel  
**ORB** Oil Rubbed Bronze



Dimensions of fixture are nominal and may vary. Dimensions and specifications subject to change without notice.