

# 2603BSTCM – EVERYDAY TUB/SHOWERS

60 x 36 ¼ - 42 x 79 ¼ inches

SOAKER MODEL #2603BSTCM

WHIRLPOOL MODEL #2603BSTCMWP



## FEATURES

- Tub-shower
- Smooth tile finish
- Integral bowed skirt
- Ergonomic backrest
- Molded toiletry shelves
- Slip-resistant textured bottom
- Center rear drain
- Above-floor rough
- AcrylX™ applied acrylic surface
- Lifetime limited warranty

### Whirlpool Features:

- 4 directional hydrotherapy jets
- Available in White and Biscuit/Linen only
- Color matched trim
- Pneumatic on/off control
- Advanced safety suction system

## OPTIONS

- Designer drain, waste & overflow

## AQUATIC ADVANTAGE

- National distribution
- 7 manufacturing facilities
- Private fleet
- Centralized customer service
- Field support

## COLOR OPTIONS

Stock	Upgraded	Premium
White	Almond Biscuit/Linen Bone	Black Mexican Sand Sand Bar Sterling Silver

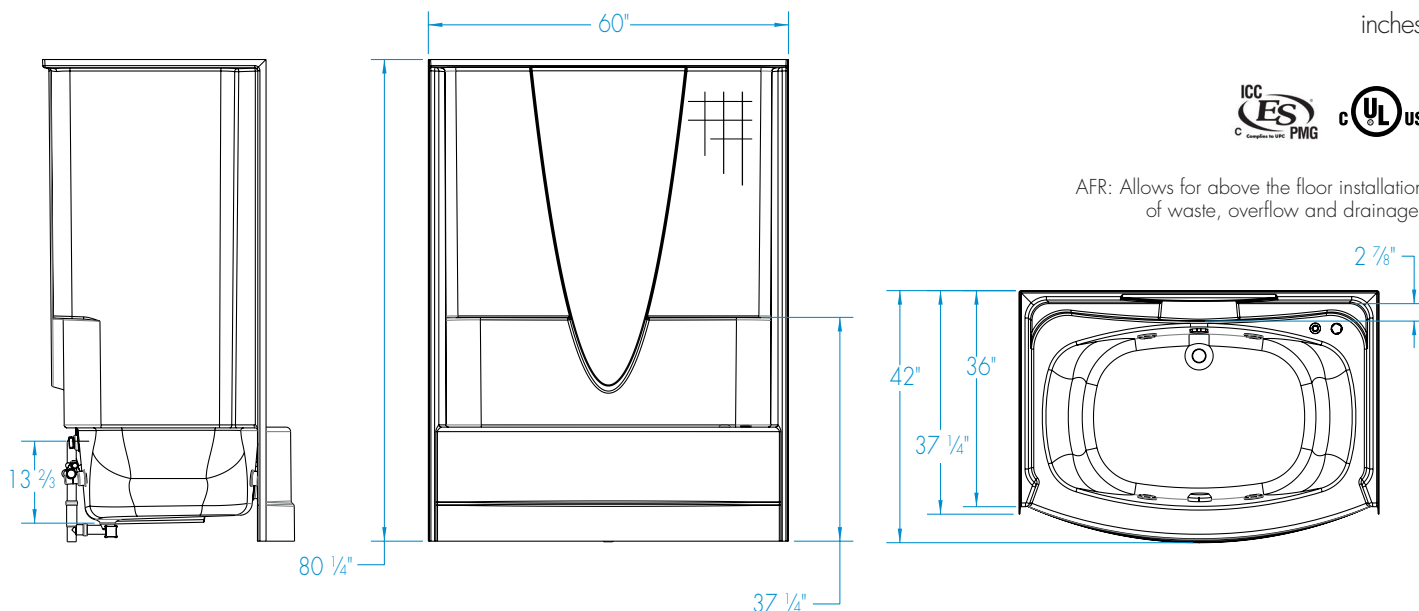


# 2603BSTCM

60 x 36 ¼ - 42 x 79 ¼  
inches



AFR: Allows for above the floor installation of waste, overflow and drainage.



**FEATURES** lbs      Dimensional Tolerance  $\pm 3/8"$ . Dimensions needed for site preparation should be measured from the unit. Aquatic assumes no responsibility for preparatory work.

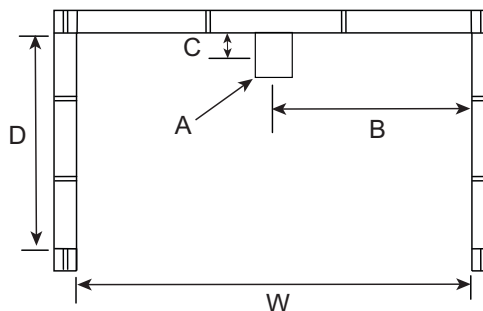
Model #	Material	Wall Finish	Jets	Motor	Controls	Drain	Net Wt.	Pkg. Wt.
AFR Soaker #2603BSTCM	AcrylX™	Smooth Tile	–	–	–	Center	154	159
AFR Whirlpool #2603BSTCMWVP	AcrylX™	Smooth Tile	4	63 GPM	Pneumatic	Center	204	209

## DIMENSIONS

Specifications	inches
Width: Overall / Net	60
Depth: Overall / Net	36 ¼ - 42
Height: Overall / Net	80 ½ / 79 ¼
Enclosure Opening	56
Skirt Height	19
Drain Rough-In (from Back Wall)	4 7/8
Drain Rough-In (from Side Wall)	30
Drain: Diameter / Clearance	2 / 3

## FRAMING DIMENSIONS inches

Type	D Depth	W Width	H Height	A	B	C
Alcove	37 ¼	60 ½	–	Box Out	30	4 7/8



## SUMP DATA

Top of Drain to Bottom of Overflow	Capacity to Overflow gal	Min. Operating Capacity gal	WIDTH @ centerline		DEPTH @ centerline	
			Top	Bottom	Top	Bottom
12 ½	52 ½	44	51	38 1 1/16	29 7/8	27 ½