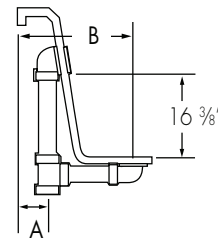
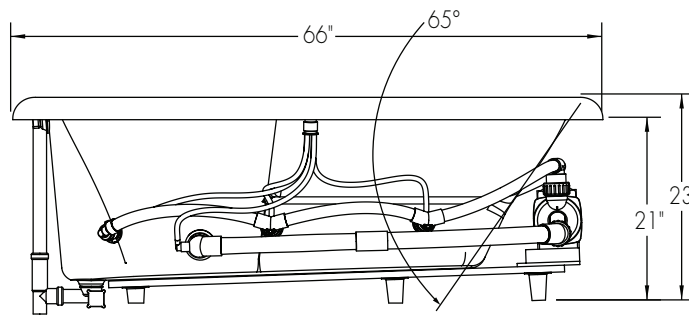
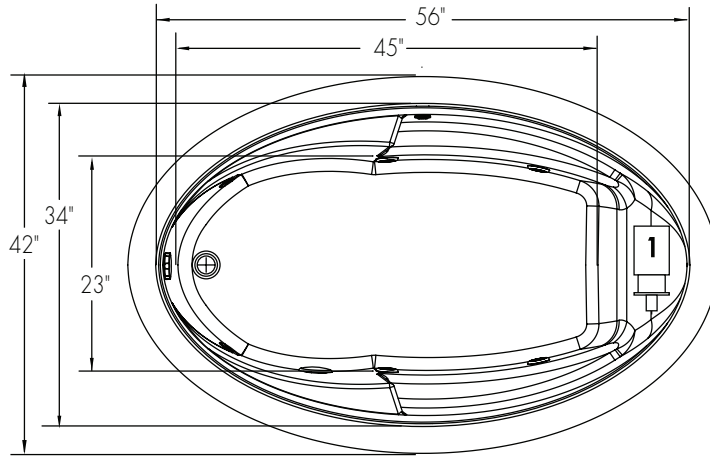


**3366420V** (Soaker)  
**3366421V** (Whirlpool)

66 x 41 ¼ x 23 inches



**FEATURES**

Dimensional Tolerance ± 3/8". Dimensions needed for site preparation should be measured from the unit. Aquatic assumes no responsibility for preparatory work.

Type and Model #	Material	Jets	Pump	Air System	Heater	Controls	Drain	Pkg. Wt. (lbs)
Soaker #3366420V	Cast Acrylic	0	–	–	–	–	Universal	89
Whirlpool #3366421V	Cast Acrylic	6	63 GPM	–	1.5 kW inline (optional)	Pneumatic	Universal	139

**DIMENSIONS** inches

Width Overall / Net	Depth Overall / Net	Height Overall / Net	Skirt Height
66	41 ¼	23	–

**SUMP DATA** inches

Capacity to Overflow gal (ltr)	Min. Operating Capacity gal (ltr)	WIDTH @ centerline		DEPTH @ centerline	
		Top	Bottom	Top	Bottom
75	47	56	45	33 ¼	23 ½

**PLUMBING DIMENSIONS** inches

A	B	Drain to Overflow	Drain Diameter / Clearance
2	8 ½	16 ¾	2 / 1 ¼

**ELECTRICAL DATA**

Component	Specification	Requirement
Pump	5 AMP; 120 V	15 AMP; 120V, separate circuit; Class A GFCI
Optional Heater (whirlpool model)	1.5KW; 12 AMP; 120 V	15 AMP; 120V, separate circuit; Class A GFCI

NOTES:

1) Where applicable, utilize cut-out templates packed with unit for deck cutouts.

2) 16 x 16 minimum access required at pump location(s).