

TECHNICAL SPECIFICATIONS

OPTS-6032 - ANSI Grab Bars & Seat

MODEL NUMBER 141313

DIMENSIONS: 57" x 31 1/2" x 69 3/4" Gelcoat



STANDARD FEATURES

- 1-piece tub shower reinforced according to FHA accessibility requirements
- 4" x 24" horizontal straight grab bars, one 18" vertical straight grab bar and one removable phenolic white seat
- Right-hand or left-hand drain
- Textured bottom
- Above-the-Floor Rough

UNIQUE FEATURES

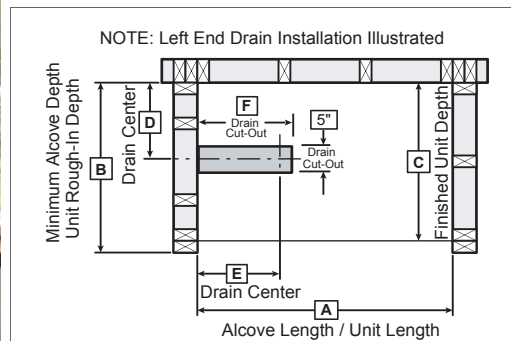
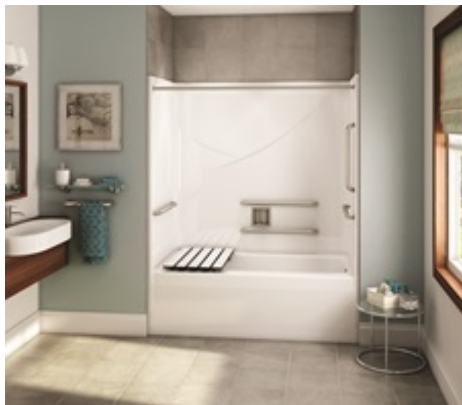
- Above-the-Floor Rough (AFR)

OPTIONS

- 56" Curtain rod (factory installed)
- 72 in. White vinyl shower curtain with Stainless Steel hooks
- Chrome recessed soap dish (drilled, not installed)

SYSTEMS

- None



Model	A	B	C	D	E	F
141309	59 3/4	34	33	15 1/2	8	10 1/2

Project :

Contractor :

AKER Representative : Tel :

Date :

CERTIFICATIONS

AKER products adhere to one or more of the following certifications:



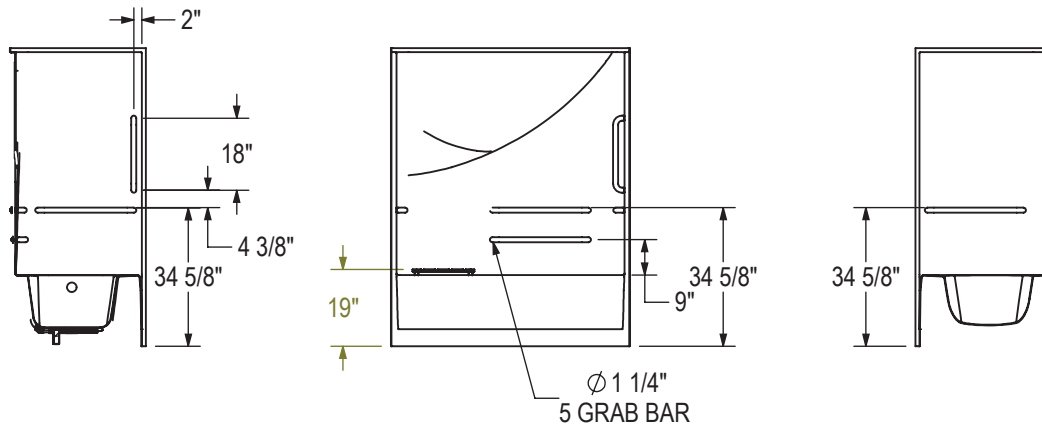
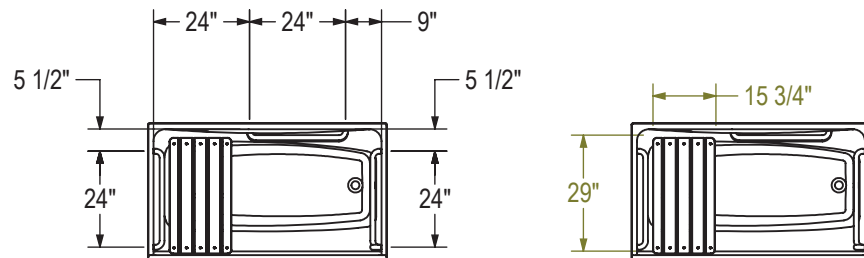
TECHNICAL SPECIFICATIONS

OPTS-6032 - ANSI Grab Bars & Seat

MODEL NUMBER 141313

TECHNICAL DRAWINGS

BASE MODEL WITH ANSI GRAB BAR & SEAT PACKAGE
 RIGHT SIDE SHOWN
 LEFT SIDE SYMMETRICAL



All dimensions are approximate. Structure measurements must be verified against the unit to ensure proper fit.