



LOCATION		DATE
PREPARED BY		QUANTITY
COMMENTS		FIXTURE TYPE
CATALOG NUMBER		

## Algiers LED Sconce ALS Series

### Features

Contemporary style fixture with metal ends and linen acrylic diffuser.  
Fixture can be mounted horizontally or vertically to a standard junction box (not included).

### Construction

Back pan is die formed from 22-gauge steel and painted in lighting grade white.  
Decorative metal ends are available in satin nickel or oakley bronze.  
Power supply connections must be made inside a junction box (not included).

### Finish

Available in satin nickel (SN) or oakley bronze (KB) finish.

### Diffuser

Linen white acrylic 0.100" thick.

### Electrical

Input 120-277 VAC 60 Hz. 0.14A at 120 VAC.  
Compatible with residential (TRIAC/ELV) and commercial (0-10V) dimmers.  
TRIAC and ELV dimming only at 120VAC.

### LED

Integrated LED modules capable of producing:  
17W, 1400 source lumens  
Adjustable Choice 3000K, 3500K, 4000K (CCT).  
Rated for 50,000 Hrs. 90 CRI.

### Certification

cETLus listed for damp locations.  
ADA

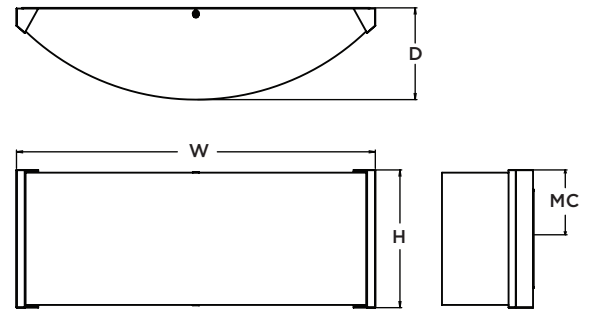
### Warranty

Limited warranty: This fixture is free from defects in materials and workmanship for a period of 5 years from date-of-purchase.

**Specifications and dimensions**  
subject to change without notice.



**3in1** color temperature  
3000K/3500K/4000K



MC - Mounting Center

## Ordering Information:

Satin Nickel	Oakley Bronze	LED	Source Lumens	Adjustable CCT	H	W	D	MC
ALS160614LAJUDSN	ALS160614LAJUDKB	17W	1400	3000K/3500K/4000K	6"	15-1/2"	4"	3"