

Slate Pro Installation



INSTALLATION OVERVIEW

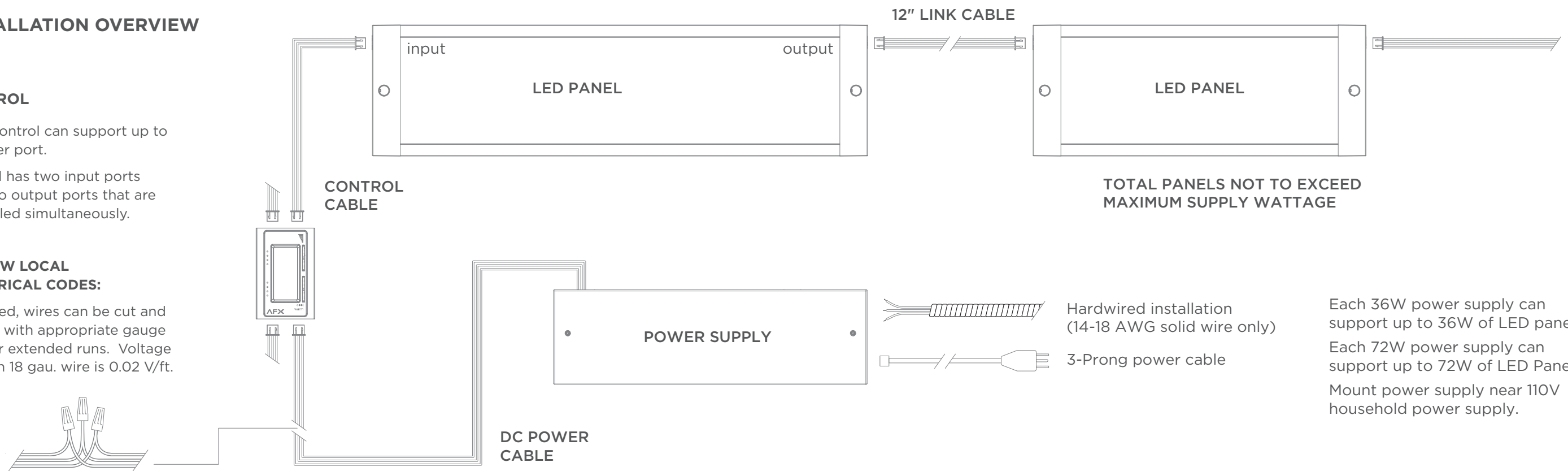
CONTROL

Each Control can support up to 72W per port.

Control has two input ports and two output ports that are controlled simultaneously.

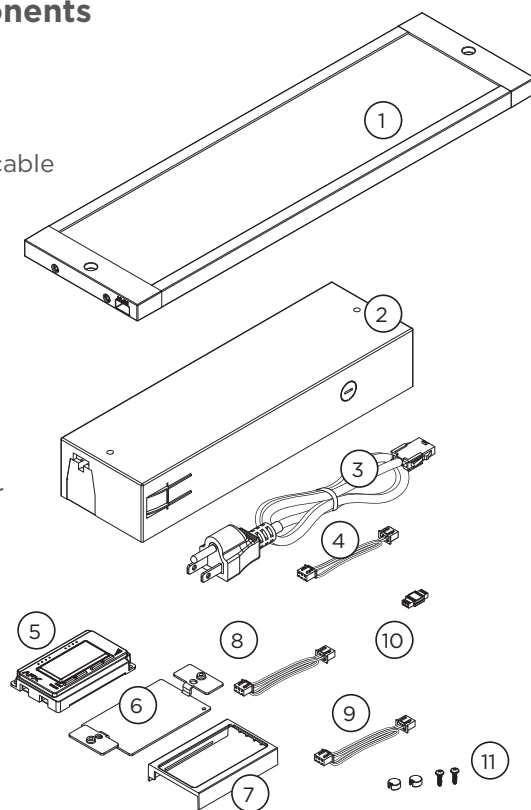
FOLLOW LOCAL ELECTRICAL CODES:

If needed, wires can be cut and spliced with appropriate gauge wire for extended runs. Voltage drop on 18 gau. wire is 0.02 V/ft.



Identify components

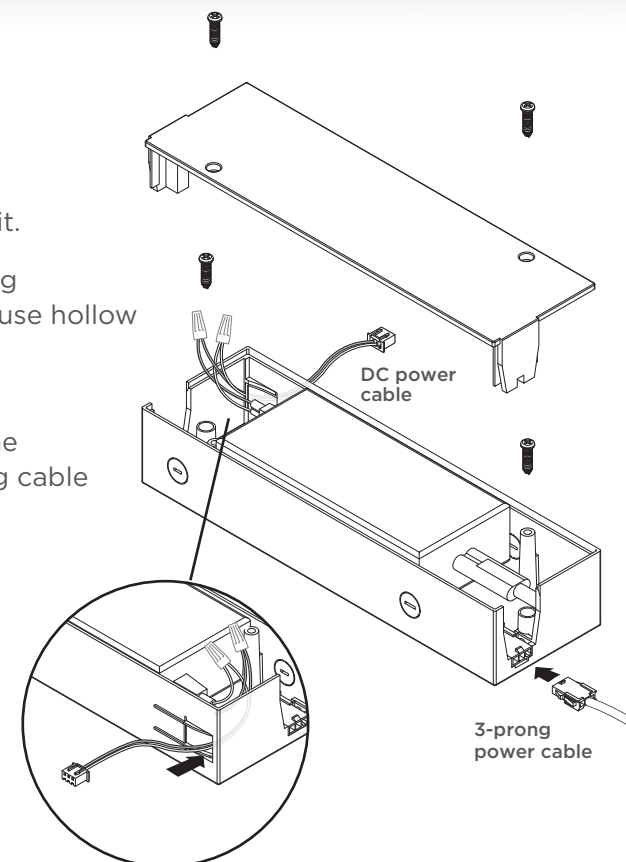
1. LED panel
2. Power supply
3. 3-prong power cable
4. DC power cable
5. Control
6. Mounting plate
7. Control cover
8. Control cable
9. 12" Link cable
10. Direct connector
11. Screws & screw caps



Install Power Supply

Power Cord Installation:

- 1 - Identify location to mount power supply.
- 2 - Remove 2 screws and cover from top of unit.
- 3 - Mount power supply to wall or cabinet using captivated screws. For installation into drywall, use hollow wall anchors (not provided).
- 4 - Install power cable to the power supply by pushing the connector into the receptacle on the power supply until you hear a click. Do not plug cable into power outlet until installation is complete.
- 5 - Insert provided red/white DC power cable into power supply by depressing tab and inserting cables firmly. Using wire connectors (provided), connect red supply wire to red cable and white supply wire to white cable.
- 6 - Reinstall cover.



Hardwire Installation:

FOLLOW STEPS 4A-4C for Hardwire Installation

4A - Determine appropriate wire and connectors to use based on local codes. Power supply knockouts are sized for 3/8" conduit.

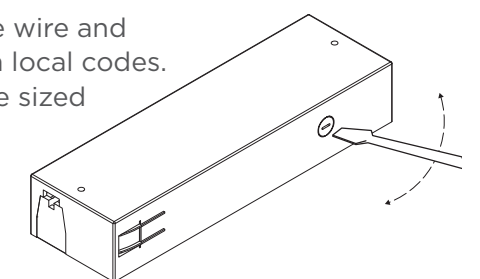
4B - Remove appropriate knockout for power supply entry with a flathead screwdriver.

4C - Power supply is equipped with three orange quick connectors for 14-18 AWG solid wire only.

Connect ground supply line to the green wire. Connect white (common) supply to white power supply wire. Connect black (hot) supply to black power supply wire. Do not mix wire gauges. Pull gently on each wire lead to make sure connections are secured.

Continue with step 5 at left.

(continued on back)



Slate Pro Installation



Control Installation

In-Wall Installation:

1 - Route red/white DC power cable into a single gang electrical box. 20' of cable is provided. Wire can be cut and spliced as needed.
Note: Follow local electrical codes for in-wall routing.

2 - Route control cable (red/white/yellow) from electrical box to LED panel. 20' of cable is provided.
Wire can be cut and spliced as needed.
Note: Follow local electrical codes for in-wall routing.

3 - Connect control cable to either output port on top of control. Connect red/white cable to either input port on control. If a second power supply is used, connect second red/white cable to available input port. Note: be sure all connectors are fully inserted and click into place.

4 - Attach control to metal mounting plate using provided screws. Bend cables out of the way during assembly.

5 - Tuck all cables into electrical box and attach control to box using provided screws. Attach standard rectangular cover plate (not provided) to complete installation.

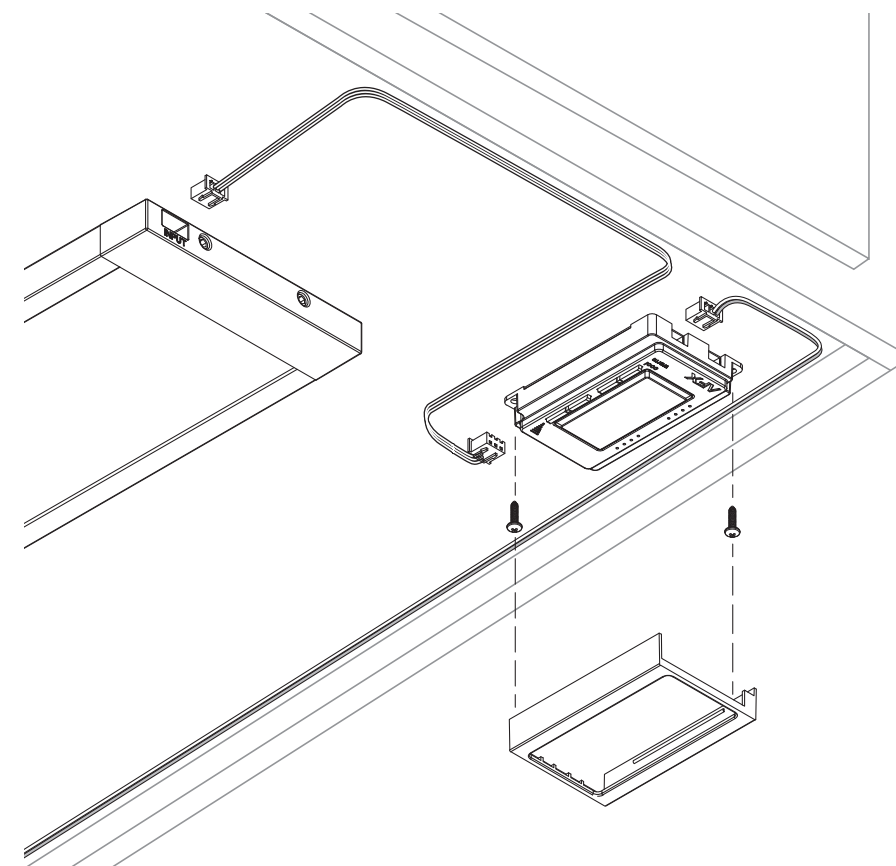
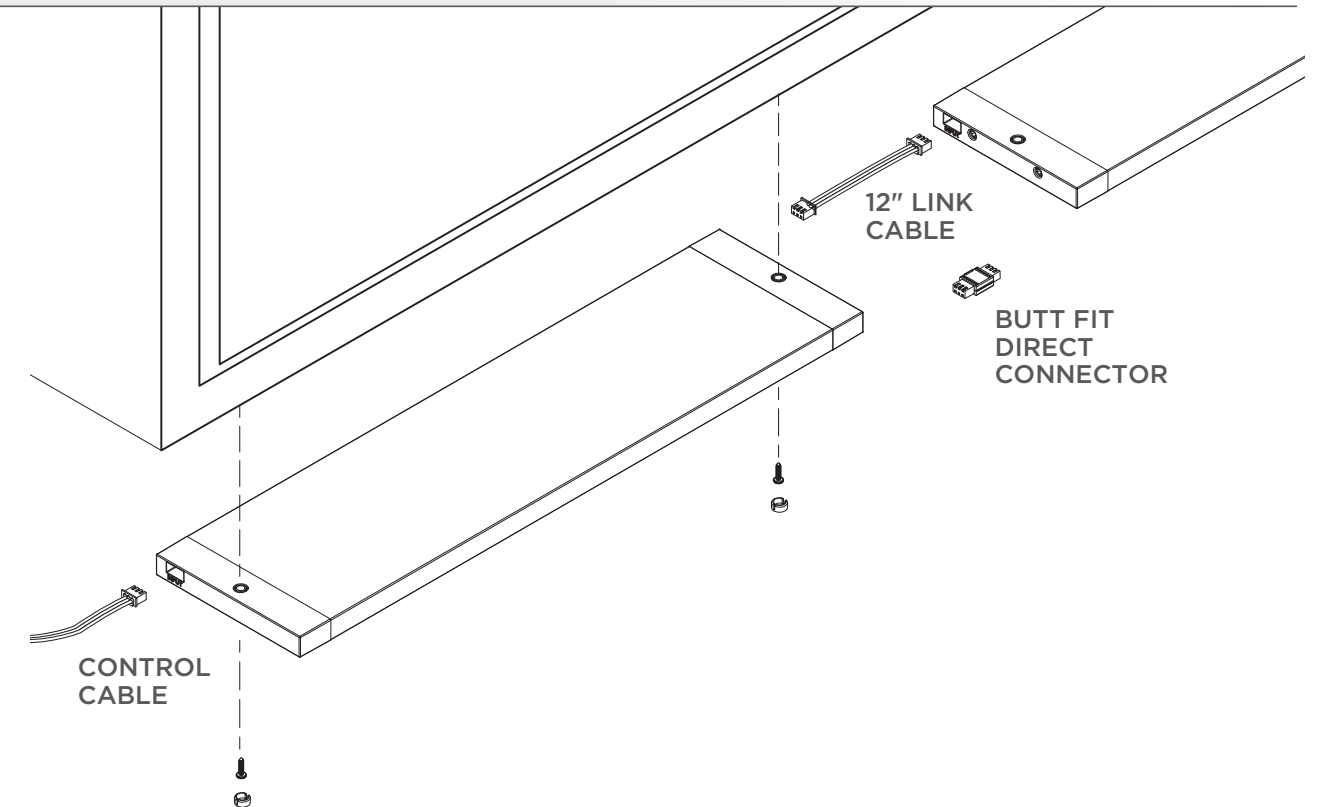
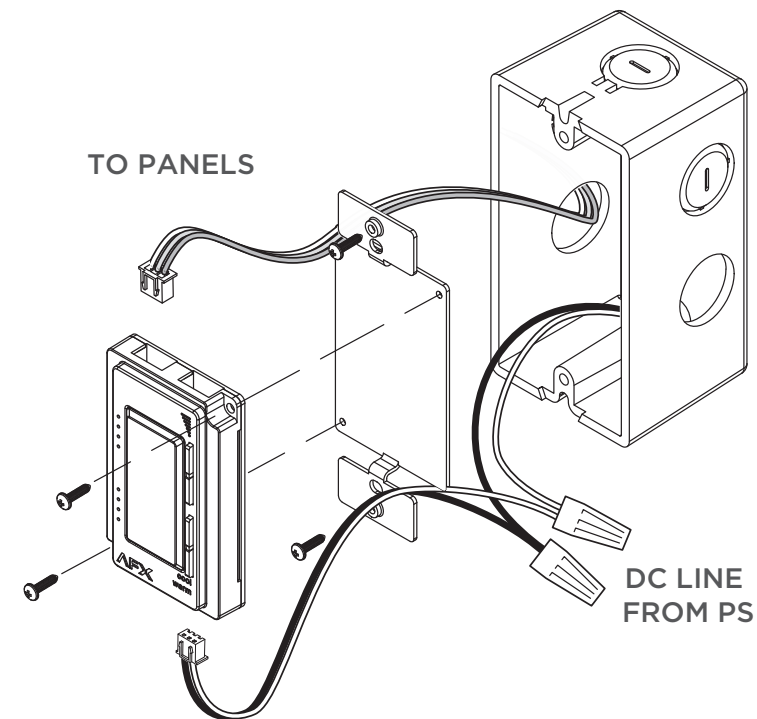
Under-Cabinet Installation

1 - Identify location to mount control and route red/white cables to that location.

2 - Mount control to cabinet using provided screws.

3 - Connect control cable (red/white/yellow) to an output port on top of the control. Connect red/white DC power cable to either input port on Control. If a second power supply is used, connect second red/white cable to available input port. Note: be sure all connectors are fully inserted and click into place.

4 - Align control cover over control and snap into place.



LED Panel Installation

1 - Locate LED panels under cabinet or in desired location and fasten to cabinet using provided screws.
Note: Orient panel so that the panel input socket is in the proper direction to mate with control cable.

2 - Add additional LED panels as necessary, connecting output of one panel to the input of the adjacent panel using either a 12" link cable or a direct connector. (NOTE: TOTAL PANELS NOT TO EXCEED POWER SUPPLY WATTAGE)



2345 N. Ernie Krueger Circle
Waukegan, IL 60087

847.249.5970 · AFXinc.com

8060895 RO