

Model No :: **52205LEDDL P-BL**  
 Name :: Cobra



Project Name :: \_\_\_\_\_  
 Location :: \_\_\_\_\_  
 Type :: \_\_\_\_\_  
 Quantity :: \_\_\_\_\_  
 Notes :: \_\_\_\_\_

**Product Information**

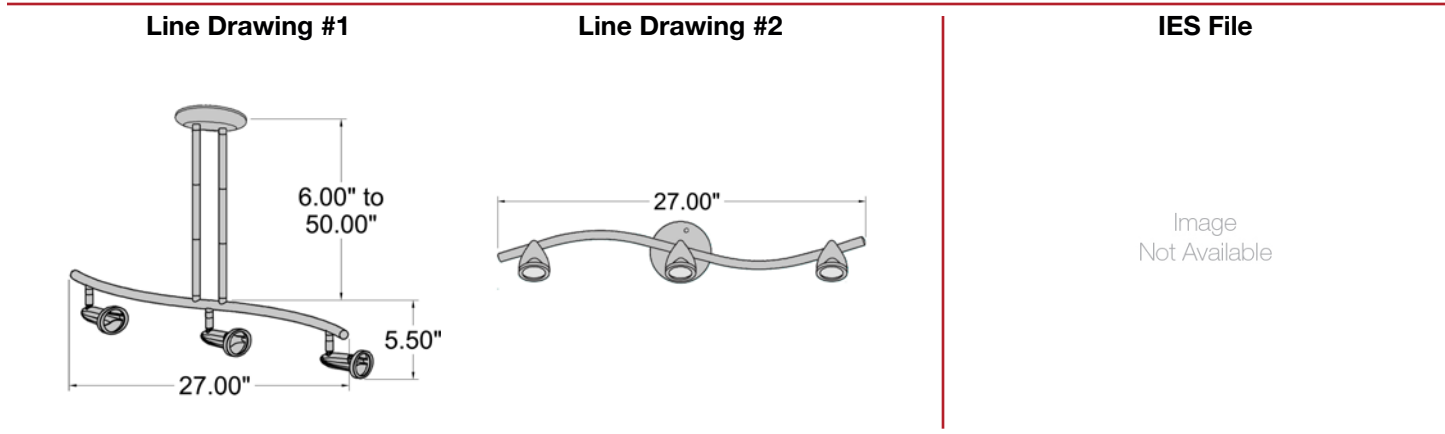
Product ID :: 52205  
 UPC Code :: 641594234954  
 Mounting Type :: Ceiling  
 Finish :: Black (BL)  
 Diffuser :: 0  
 Alt. Finishes :: Black (BL); Brushed Steel (BS)  
 Alt. Diffusers :: 0

**Product Dimensions**

Fixture	Canopy
Length :: 27"	Length :: N/A
Width :: N/A	Width :: N/A
Diameter :: N/A	Diameter :: 7.5"
Extension :: N/A	Height :: 1"
Height :: 3.75"	
Overall Height :: 6-50"	

**Technical Specifications**

Qualifications	Specifications	Photometrics	Recommended Dimmers
Location Rating :: Dry	Frame Material :: Metal	CCT :: 3000	(ELV) LUTRON Skylark SELV-300P; (MLV) COOPER Aspire 9530SW; (TRIAC) LEGRAND Titan CD703-PW
Certification :: UL Listed (US/Canada)	Diffuser Material :: 0	CRI :: N/A	
IES File ::	Voltage :: 120v	Wattage :: 15.9w	
JA8 Compliant :: Yes	Lamping Type :: Replaceable LED	Nominal Lumens :: 1140Lm	
Energy Star :: No	Lamping Base :: GU-10	Delivered Lumens :: N/A	
ADA Compliant :: No	Lamp Quantity :: 3	Additional Items :: 0	
Marine Grade :: No	Lamp Wattage :: 5.3 W		
Emergency Lighting :: No	Total Wattage :: 15.9w		
Warranty :: 1 Year Limited	Lamps Included :: Yes		
	J-Box Type :: Standard		



Toll Free 800-828-5483 • [www.AccessLighting.com](http://www.AccessLighting.com)

14410 Myford Road, Irvine, CA 92606  
 The information provided is subject to change without notice. ©2020 Access Lighting Corporation. All Rights Reserved  
 Rev. 202004 Filename:: 52205LEDDL P-BL.pdf

