

Model No :: **52204LEDDL-BS**
 Name :: Cobra



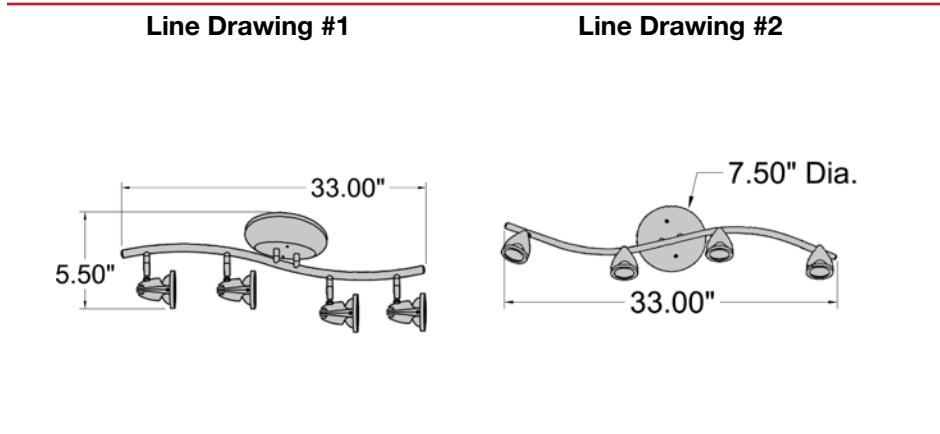
Project Name :: _____
 Location :: _____
 Type :: _____
 Quantity :: _____
 Notes :: _____

Product Information	
Product ID ::	52204
UPC Code ::	641594211115
Mounting Type ::	Ceiling
Finish ::	Brushed Steel (BS)
Diffuser ::	0
Alt. Finishes ::	Black (BL); Brushed Steel (BS)
Alt. Diffusers ::	0

Product Dimensions			
Fixture		Canopy	
Length ::	33"	Length ::	N/A
Width ::	N/A	Width ::	N/A
Diameter ::	N/A	Diameter ::	N/A
Extension ::	N/A	Height ::	1"
Height ::	5.5"		
Overall Height ::	N/A		

Technical Specifications

Qualifications	Specifications	Photometrics	Recommended Dimmers
Location Rating :: Dry	Frame Material :: Metal	CCT :: 3000	(ELV) LUTRON Skylark SELV-300P; (MLV) COOPER Aspire 9530SW; (TRIAC) LEGRAND Titan CD703-PW
Certification :: ETL Listed (US/Canada)	Diffuser Material :: 0	CRI :: 83	
IES File ::	Voltage :: 120v	Wattage :: 21.2w	
JA8 Compliant :: No	Lamping Type :: Replaceable LED	Nominal Lumens :: 1520Lm	
Energy Star :: No	Lamping Base :: GU-10	Delivered Lumens :: N/A	
ADA Compliant :: No	Lamp Quantity :: 4	Additional Items :: 0	
Marine Grade :: No	Lamp Wattage :: 5.3 W		
Emergency Lighting :: No	Total Wattage :: 21.2w		
Warranty :: 1 Year Limited	Lamps Included :: Yes		
	J-Box Type :: Standard		



IES File

Image Not Available

Toll Free 800-828-5483 • www.AccessLighting.com

14410 Myford Road, Irvine, CA 92606
 The information provided is subject to change without notice. ©2020 Access Lighting Corporation. All Rights Reserved
 Rev. 202004 Filename:: 52204LEDDL-BS.pdf

