

Model No :: **20446LEDD-BS/WHT**  
 Name :: Prong



Project Name :: \_\_\_\_\_  
 Location :: \_\_\_\_\_  
 Type :: \_\_\_\_\_  
 Quantity :: \_\_\_\_\_  
 Notes :: \_\_\_\_\_

**Product Information**

Product ID :: 20446  
 UPC Code :: 641594195651  
 Mounting Type :: Wall  
 Finish :: Brushed Steel (BS)  
 Diffuser :: White (WHT)  
 Alt. Finishes :: Brushed Steel (BS); Matte Black (MBL)  
 Alt. Diffusers :: White (WHT)

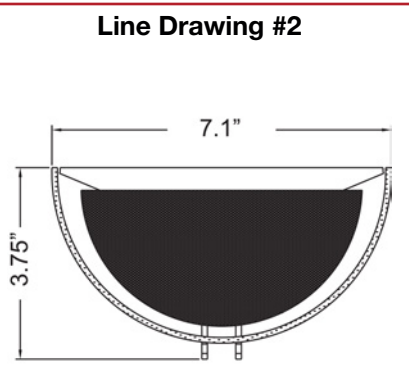
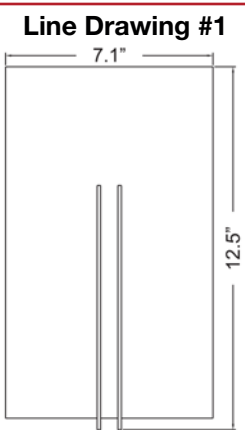
**Product Dimensions**

Fixture	Canopy
Length :: N/A	Length :: 11.25"
Width :: 7.25"	Width :: 6.75"
Diameter :: N/A	Diameter :: N/A
Extension :: 3.75"	Height :: 0.5"
Height :: 12.5"	
Overall Height :: N/A	



**Technical Specifications**

Qualifications	Specifications	Photometrics	Recommended Dimmers
Location Rating :: Damp	Frame Material :: Steel	CCT :: 3000	(ELV) LUTRON Diva DVELV-300P; (ELV) LUTRON Diva DVELV-303P; (ELV) LUTRON Skylark SELV-300P
Certification :: UL Listed (US/Canada)	Diffuser Material:: Glass	CRI :: 90	
IES File ::	Voltage :: 120v	Wattage :: 16w	Additional Items :: Alt Color Temperatures Available; Available in 0-10V Dim; Available in 277V; ELV DIMMERS Lutron: DVELV-300P, SELV-300P
JA8 Compliant :: No	Lamping Type :: Dedicated LED	Nominal Lumens :: 1650Lm	
Energy Star :: Yes	Lamping Base :: SSL	Delivered Lumens :: 840Lm	
ADA Compliant :: Yes	Lamp Quantity :: 1		
Marine Grade :: No	Lamp Wattage :: 16 W		
Emergency Lighting :: No	Total Wattage :: 16w		
Warranty :: 5 Year Limited	Lamps Included :: Yes		
	J-Box Type :: Standard		



**IES File**

Image Not Available

**Toll Free 800-828-5483 • www.AccessLighting.com**

14410 Myford Road, Irvine, CA 92606  
 The information provided is subject to change without notice. ©2020 Access Lighting Corporation. All Rights Reserved  
 Rev. 202004 Filename:: 20446LEDD-BS\_WHT.pdf

