

Model No :: **20043L-LEDDMG-SAT/CLR**  
 Name :: Mist



Project Name :: \_\_\_\_\_  
 Location :: \_\_\_\_\_  
 Type :: \_\_\_\_\_  
 Quantity :: \_\_\_\_\_  
 Notes :: \_\_\_\_\_

**Product Information**

Product ID :: 20043L  
 UPC Code :: 641594228977  
 Mounting Type :: Wall  
 Finish :: Satin (SAT)  
 Diffuser :: Clear (CLR)  
 Alt. Finishes :: Black (BL); Satin (SAT)  
 Alt. Diffusers :: Clear (CLR)

**Product Dimensions**

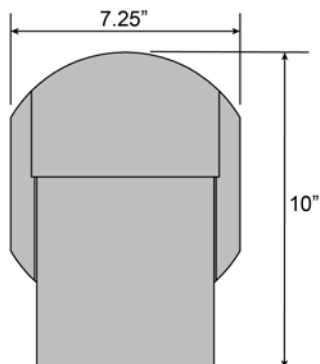
Fixture	Canopy
Length :: N/A	Length :: N/A
Width :: 7.25"	Width :: N/A
Diameter :: N/A	Diameter :: N/A
Extension :: 3.75"	Height :: N/A
Height :: 10"	
Overall Height :: N/A	



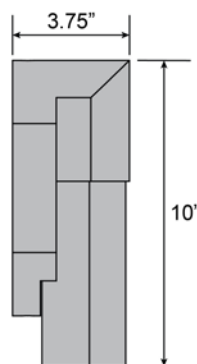
**Technical Specifications**

Qualifications	Specifications	Photometrics	Recommended Dimmers
Location Rating :: Wet	Frame Material :: Steel	CCT :: 3000	0
Certification :: UL Listed (US/Canada)	Diffuser Material :: Glass	CRI :: 90	
IES File ::	Voltage :: 120v	Wattage :: 15w	
JA8 Compliant :: No	Lamping Type :: Dedicated LED	Nominal Lumens :: 1100Lm	
Energy Star :: No	Lamping Base :: SSL	Delivered Lumens :: 668Lm	
ADA Compliant :: Yes	Lamp Quantity :: 1	Additional Items :: 0	
Marine Grade :: Yes	Lamp Wattage :: 15 W		
Emergency Lighting :: No	Total Wattage :: 15w		
Warranty :: 5 Year Limited	Lamps Included :: Yes		
	J-Box Type :: Standard		

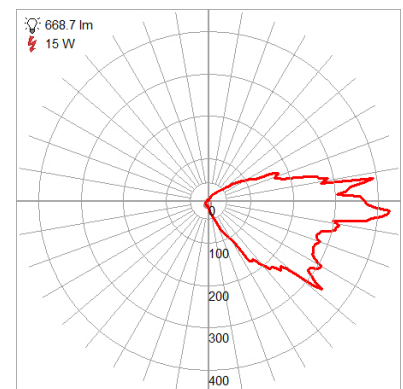
**Line Drawing #1**



**Line Drawing #2**



**IES File**



**Toll Free 800-828-5483 • www.AccessLighting.com**

14410 Myford Road, Irvine, CA 92606

The information provided is subject to change without notice. ©2020 Access Lighting Corporation. All Rights Reserved  
 Rev. 202004 Filename: 20043L-LEDDMG-SAT\_CLR.pdf

